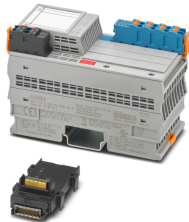


I/O module - AXL F EX IS DO4 SD 21-60 XC 1F - 1086902

Please be informed that the data shown in this PDF Document is generated from our Online Catalog. Please find the complete data in the user's documentation. Our General Terms of Use for Downloads are valid (<http://phoenixcontact.com/download>)



Axioline F EX_XC, Digital output module, Digital outputs: 4, 21 V, 60 mA, connection technology: 3-conductor, Extreme conditions version, Intrinsically safe, transmission speed in the local bus: 100 Mbps, degree of protection: IP20, including bus base module and Axioline F connectors

Product Description

The module is an Axioline F I/O module for use in the Axioline F modular I/O system.

The module is a modular I/O device that can be affixed to the Axioline F local bus, to communicate I/O data up to the Axioline F controller or bus coupler, which forms the head of the station.

As an intrinsic safety I/O module, this device allows direct connection from intrinsically safe field I/O to the terminals of the module.

The module digital output characteristics of 21 V DC and 60 mA allow the connection of up to four solenoid driven, digital output signals.

Your advantages

- ✓ 4 digital output-powered control signals 21 V DC ... 60 mA for solenoid drives
- ✓ Intrinsically safe analog inputs with connection to Zone 1, Zone 0 or Division 1
- ✓ Can be used under extreme ambient conditions
- ✓ Extended temperature range of -40 °C ... +70 °C (see "Tested successfully: use under extreme ambient conditions" in the data sheet)



Key Commercial Data

Packing unit	1 pc
GTIN	
GTIN	4055626880679
Weight per Piece (excluding packing)	400.000 g
Custom tariff number	85389099

Technical data

Note

Utilization restriction	EMC: class A product, see manufacturer's declaration in the download area
-------------------------	---

I/O module - AXL F EX IS DO4 SD 21-60 XC 1F - 1086902

Technical data

Note

	Use in potentially explosive areas is not permitted in China.
--	---

Dimensions

Width	53.6 mm
Height	129.9 mm
Depth	77.14 mm
Note on dimensions	The depth is valid when a TH 35-7,5 DIN rail is used (according to EN 60715).

Ambient conditions

Ambient temperature (operation)	-25 °C ... 60 °C (Standard)
	-40 °C ... 70 °C (Extended, see section "Tested successfully: use under extreme ambient conditions" in the data sheet.)
Ambient temperature (storage/transport)	-40 °C ... 85 °C
Permissible humidity (operation)	5 % ... 95 % (non-condensing)
Permissible humidity (storage/transport)	5 % ... 95 % (non-condensing)
Air pressure (operation)	70 kPa ... 106 kPa (up to 3000 m above sea level)
Air pressure (storage/transport)	70 kPa ... 106 kPa (up to 3000 m above sea level)
Maximum altitude	3000 m
Degree of protection	IP20

Connection data

Designation	Axioline F connector
Connection method	Push-in connection
Note on the connection method	Please observe the information provided on conductor cross sections in the "Axioline F: system and installation" user manual.
Conductor cross section solid min.	0.2 mm ²
Conductor cross section solid max.	1.5 mm ²
Conductor cross section flexible min.	0.2 mm ²
Conductor cross section flexible max.	1.5 mm ²
Conductor cross section AWG min.	24
Conductor cross section AWG max.	16
Stripping length	8 mm

General

Mounting type	DIN rail
Color	traffic grey A RAL 7042
Net weight	264.1 g
Note on weight specifications	with connectors and bus base module
Maximum altitude	3000 m

I/O module - AXL F EX IS DO4 SD 21-60 XC 1F - 1086902

Technical data

Interfaces

Designation	Axioline F local bus
Number	2
Connection method	Bus base module
Transmission speed	100 Mbps

Axioline potentials

Designation	Axioline F local bus supply (U_{Bus})
Supply voltage	5 V DC (via bus base module)
Current consumption	typ. 40 mA
	max. 60 mA
Designation	Supply for digital output modules (U_O)
Supply voltage	24 V DC
Supply voltage range	19.2 V DC ... 30 V DC (including all tolerances, including ripple)
Current consumption	max. 420 mA

Digital outputs

Output name	Digital outputs
Number of outputs	4
Connection method	Push-in connection
Connection technology	3-conductor
Output voltage	21 V
Nominal output voltage	21 V
Output current per channel	60 mA

Electrical isolation

Test section	5 V supply of the local bus (U_{Bus}) / 24 V supply (I/Os) 500 V AC 50 Hz 1 min.
	5 V supply of the local bus (U_{Bus}) / functional ground 500 V AC 50 Hz 1 min.
	24 V supply (I/O) / functional ground 500 V AC 50 Hz 1 min.
	Field to functional earth 500 V AC 50 Hz 1 min.
	Field to 5V or 24V supplies 1500 V AC 50 Hz 1 min.

Standards and Regulations

Immunity to ESD	Immunity test in accordance with EN 61000-6-2/IEC 61000-6-2 Electrostatic discharge (ESD) EN 61000-4-2/IEC 61000-4-2 Criterion A, 6 kV contact discharge, 8 kV air discharge
Immunity to EF	Immunity test in accordance with EN 61000-6-2/IEC 61000-6-2 Electromagnetic fields EN 61000-4-3/IEC 61000-4-3 Criterion A, Field intensity: 10 V/m
Immunity to burst	Immunity test in accordance with EN 61000-6-2/IEC 61000-6-2 Fast transients (burst) EN 61000-4-4/IEC 61000-4-4 Criterion B, 2 kV

I/O module - AXL F EX IS DO4 SD 21-60 XC 1F - 1086902

Technical data

Standards and Regulations

Immunity to surge	Immunity test in accordance with EN 61000-6-2/IEC 61000-6-2 Transient overvoltage (surge) EN 61000-4-5/IEC 61000-4-5 Criterion A, supply lines DC: ± 0.5 kV/ ± 0.5 kV (symmetrical/asymmetrical), ± 1 kV to shielded I/O cables
Immunity to conducted interference	Immunity test in accordance with EN 61000-6-2/IEC 61000-6-2 Conducted interference EN 61000-4-6/IEC 61000-4-6 Criterion A, Test voltage 10 V
Interference emission	Noise emission test in accordance with EN 61000-6-4/IEC 61000-6-4 Class A
Mechanical tests	Vibration resistance in acc. with EN 60068-2-6/IEC 60068-2-6 5g
	Shock in acc. with EN 60068-2-27/IEC 60068-2-27 30g
	Continuous shock according to EN 60068-2-27/IEC 60068-2-27 10g
Max. output voltage U_o	24.8 V
Max. output current I_o	180 mA
Max. output power P_o	1116 mW
Group	C/IIB, IIIC
Max. external capacitance C_o	0.86 μ F
Group	D/IIA, E, F, G, Class III
Max. external capacitance C_o	3.05 μ F
Group	C/IIB, IIIC
Max. external inductivity L_o	2.779 mH
Group	D/IIA, E, F, G, Class III
Max. external inductivity L_o	7.168 mH
ATEX	DEMKO 20 ATEX 2370X II 3(1)G Ex ec [ia IIB Ga] IIC T4 Gc II (1)D [Ex ia Da] IIIC
IECEX	IECEX UL 20.0044X Ex ec [ia IIB Ga] IIC T4 Gc [Ex ia Da] IIIC
UL, USA / Canada	Ind. Cont. Eq. (E238705) also Listed Ind. Cont. Eq. for haz. loc. E196811 Install in: Class I, Div. 2, Groups A, B, C, D T4 Intrinsically safe outputs for: Class I, Groups C, D; Class II, Groups E, F, G; Class III; [Ex ia] Haz loc Class I, Zone 2, AEx ec [ia IIB Ga] IIC T4 Gc [AEx ia Da] IIIC Ex ec [ia IIB Ga] IIC T4 Gc [Ex ia Da] IIIC
Safety-related maximum voltage U_m	250 V
Protection class	III (IEC 61140, EN 61140, VDE 0140-1)

Environmental Product Compliance

REACH SVHC	Lead 7439-92-1
China RoHS	Environmentally Friendly Use Period = 25;

I/O module - AXL F EX IS DO4 SD 21-60 XC 1F - 1086902

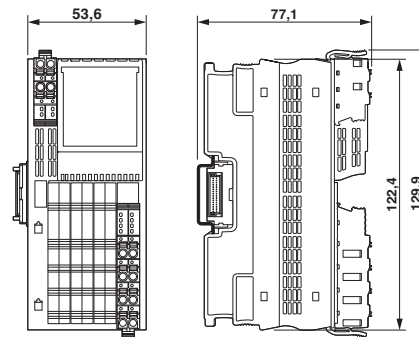
Technical data

Environmental Product Compliance

	For details about hazardous substances go to tab "Downloads", Category "Manufacturer's declaration"
--	---

Drawings

Dimensional drawing



Classifications

eCl@ss

eCl@ss 10.0.1	27242604
eCl@ss 11.0	27242604
eCl@ss 9.0	27242604

UNSPSC

UNSPSC 18.0	32151602
UNSPSC 19.0	32151602
UNSPSC 20.0	32151602
UNSPSC 21.0	32151602

Approvals

Approvals

Approvals

UL Listed / cUL Listed / cULus Listed

Ex Approvals

ATEX / IECEx / UL Listed / cUL Listed / CCC / cULus Listed

I/O module - AXL F EX IS DO4 SD 21-60 XC 1F - 1086902

Approvals

Approval details

UL Listed		http://database.ul.com/cgi-bin/XYV/template/LISEXT/1FRAME/index.htm	FILE E 238705
-----------	--	---	---------------

cUL Listed		http://database.ul.com/cgi-bin/XYV/template/LISEXT/1FRAME/index.htm	FILE E 238705
------------	--	---	---------------

cULus Listed			
--------------	--	--	--

Accessories

Accessories

Device marking

Insert label - EMT (35X46)R - 0801604



Insert label, for the Axioline F series from Phoenix Contact, Roll, white, unlabeled, can be labeled with: THERMOMARK ROLLMASTER 300/600, THERMOMARK X1.2, THERMOMARK ROLL X1, THERMOMARK ROLL 2.0, THERMOMARK ROLL, mounting type: snapped, lettering field size: 35 x 46 mm, Number of individual labels: 500

DIN rail connector

Bus connector - AXL F BS F - 2688129



Axioline F bus base module for housing type F

Partition plate

I/O module - AXL F EX IS DO4 SD 21-60 XC 1F - 1086902

Accessories

Separating plate - AXL F/P IO EX PP - 1100201

Axiline F/P partition plate for intrinsically safe modules



Shield connection

Shield connection - AXL SHIELD SET - 2700518



Axiline shield connection set (contains 2 shield bus holders and 2 SK 5 shield connection clamps)

Terminal marking

Zack marker strip - ZB 20,3 AXL UNPRINTED - 0829579



Zack marker strip for Axiline F (device labeling), in 2 x 20.3 mm pitch, unprinted, 25-section, for individual labeling with B-STIFT 0.8, X-PEN, or CMS-P1-PLOTTER

Zack Marker strip, flat - ZBF 10/5,8 AXL UNPRINTED - 0829580



Zack Marker strip, flat, Strip, white, unlabeled, can be labeled with: PLOTMARK, CMS-P1-PLOTTER, mounting type: snapped, for terminal block width: 10.15 mm, lettering field size: 4 of 10.15 x 5 mm and 1 of 5.8 x 5 mm, Number of individual labels: 50