

**GT-TC043B-H036-L1A**

**G-SWITCH**

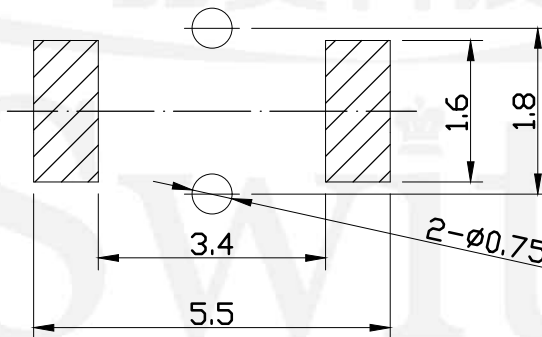
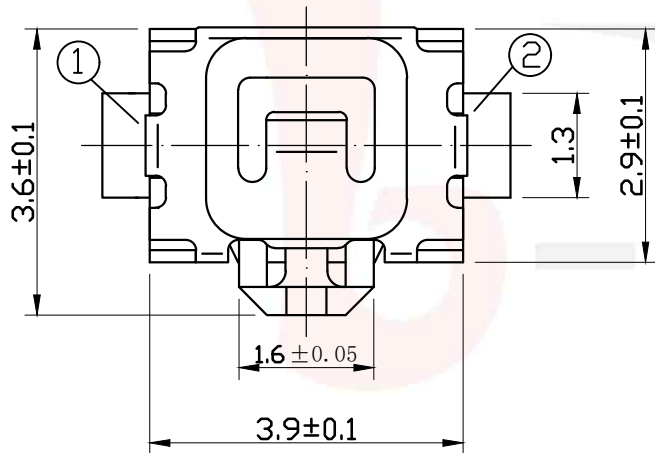
**Operating Force**

A=160gf  
B=220gf  
C=250gf

**Switch Height (mm)**  
H03=3.6mm

**Switch lifetime (Force)**  
L1=100,000 Cycles

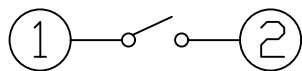
A=Base With Pilot  
N=Non Pilot



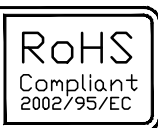
**P.C.B LAND  
DIMENSION**

**G-Switch Specification:**

Operating temperature range: -30°C to +85°C  
Rating: 50mA.12V DC  
Insulation resistance: 100MΩ min.100V DC  
Dielectric strength: 250V AC for 1 min  
Contact resistance: 100m Ω max.  
Travel: 0.25±0.1mm



**CIRCUIT  
DIAGRAM**



**G-Switch Electronic (HongKong) CO.,Ltd.**

Unless otherwise specified, Tolerance:  
X. ±0.30  
X.x ±0.20  
X.xx ±0.15  
X.xxx ±0.10  
Angles ±3°

DESIGN FengFengChen DATE 2019.05.29  
CHECKED DATE  
APPROVED DATE  
<http://www.dg-switch.com>  
TEL:0769-82388879

Molde code:  
**GT-TC043B-H036-L1A**  
REV.: X1 SCALE: 4:1 UNIT: mm  
SIZE: A4 SHEET: 1/1