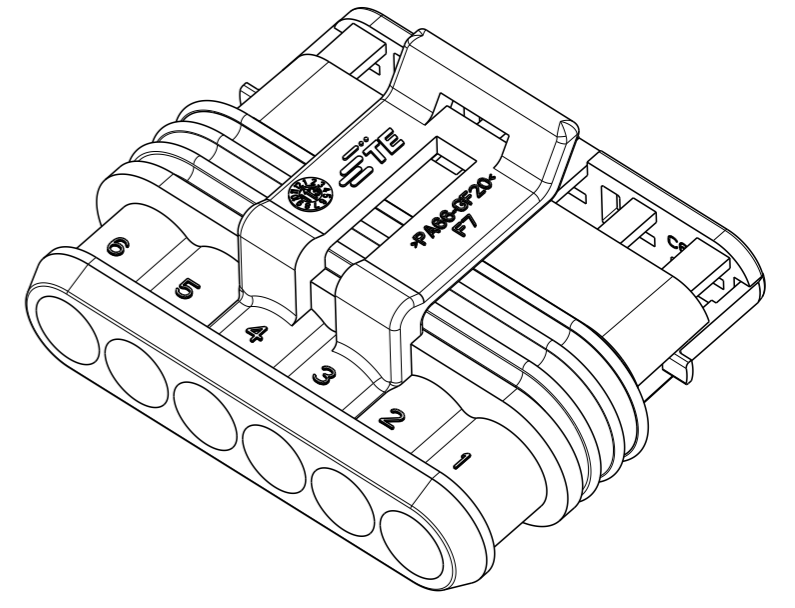
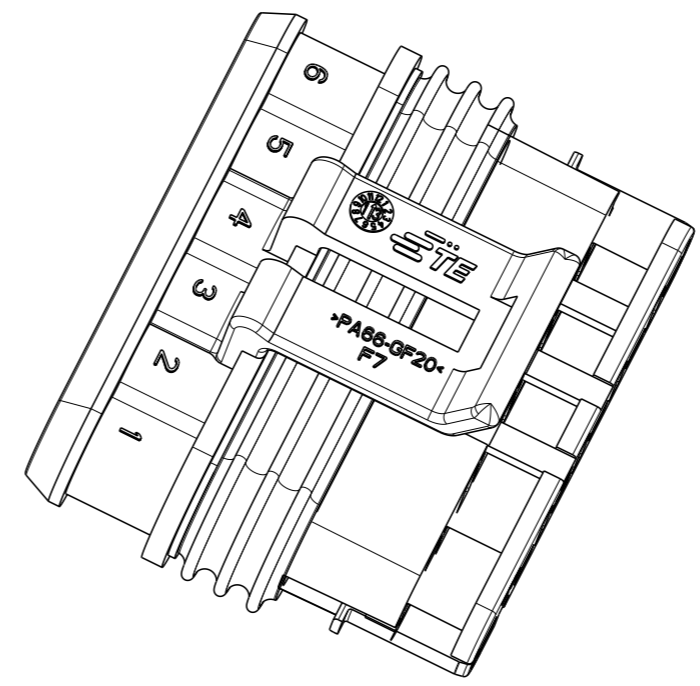
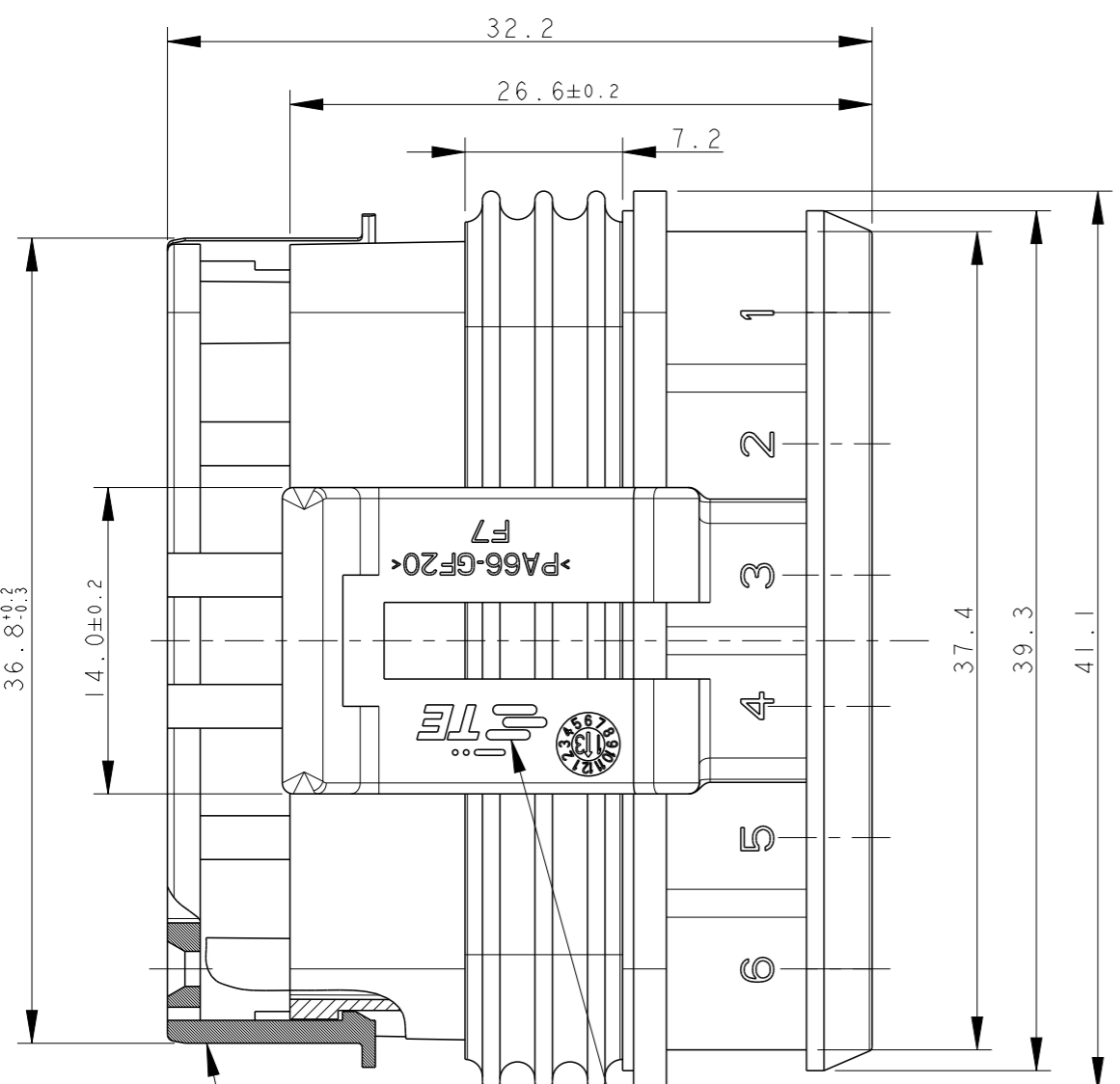
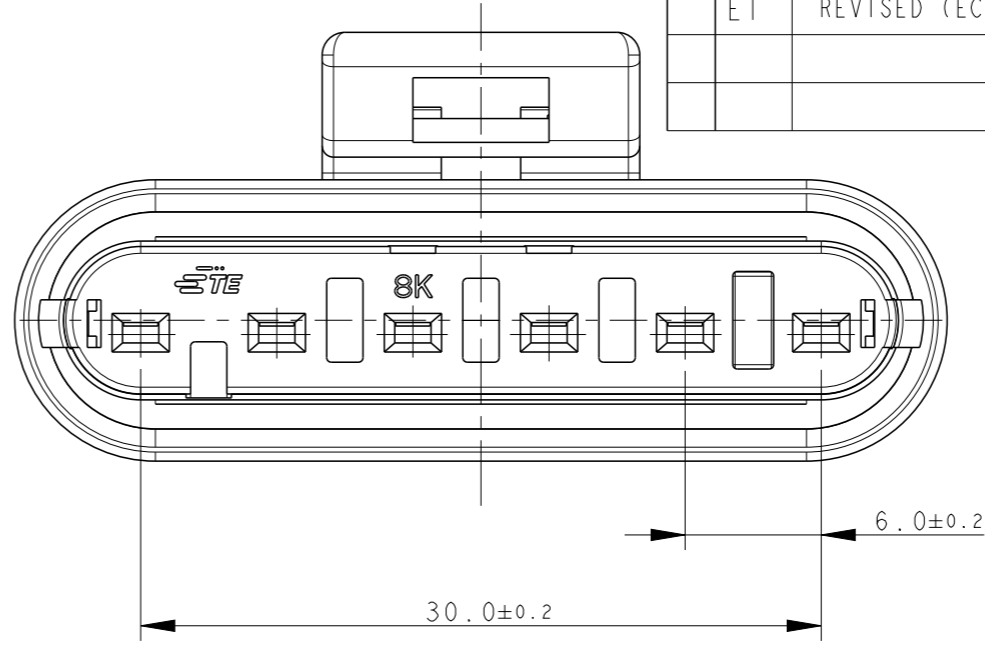
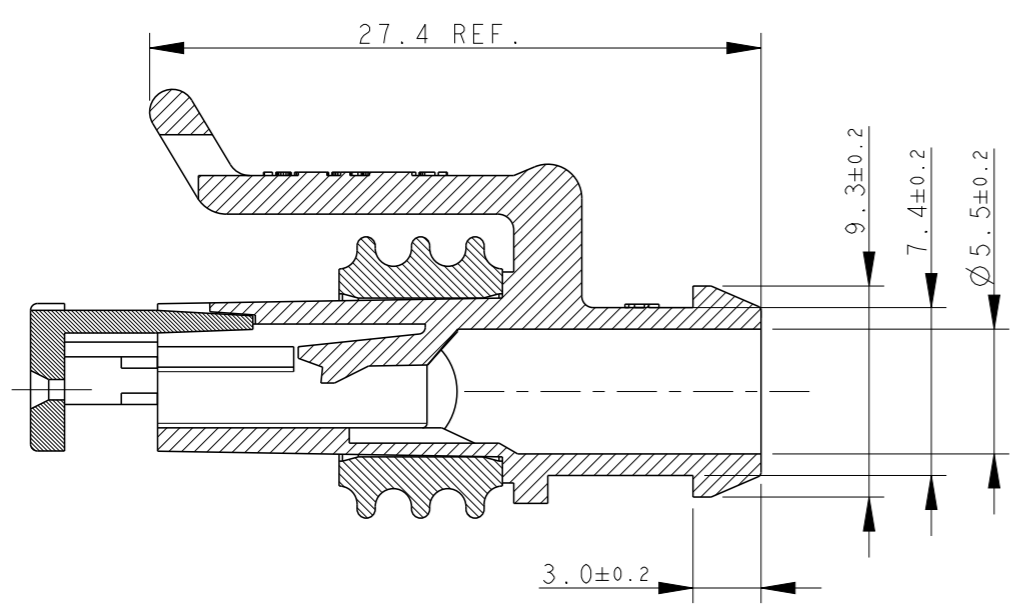


THIS DRAWING IS UNPUBLISHED. RELEASED FOR PUBLICATION 2011

© COPYRIGHT 2011 ALL RIGHTS RESERVED.

REVISIONS

P	LTR	DESCRIPTION	DATE	DWN	APVD
E		ECR-14-009314	24MAR2015	M.P.	M.G.
E1		REVISED (ECR-15-014031)	25SEP2015	M.G.	M.G.



1) FOR COUNTERPART DETAILS, SEE SHEET 2 OF 2

NOTE	FINISH/COLOR	MATERIAL	PART NUMBER
-	BLACK	HOUSING+SEC.LOCK: PA66-GF SEALING: LSR	282090-1

TE CONNECTIVITY TRADE MARK, (IN ALTERNATIVE: "AMP" LOGO, OR "Tyco Electronics" LOGO)

SEALING (COLOUR YELLOW)

PRE-ASSEMBLED SECONDARY LOCK (COLOUR RED)

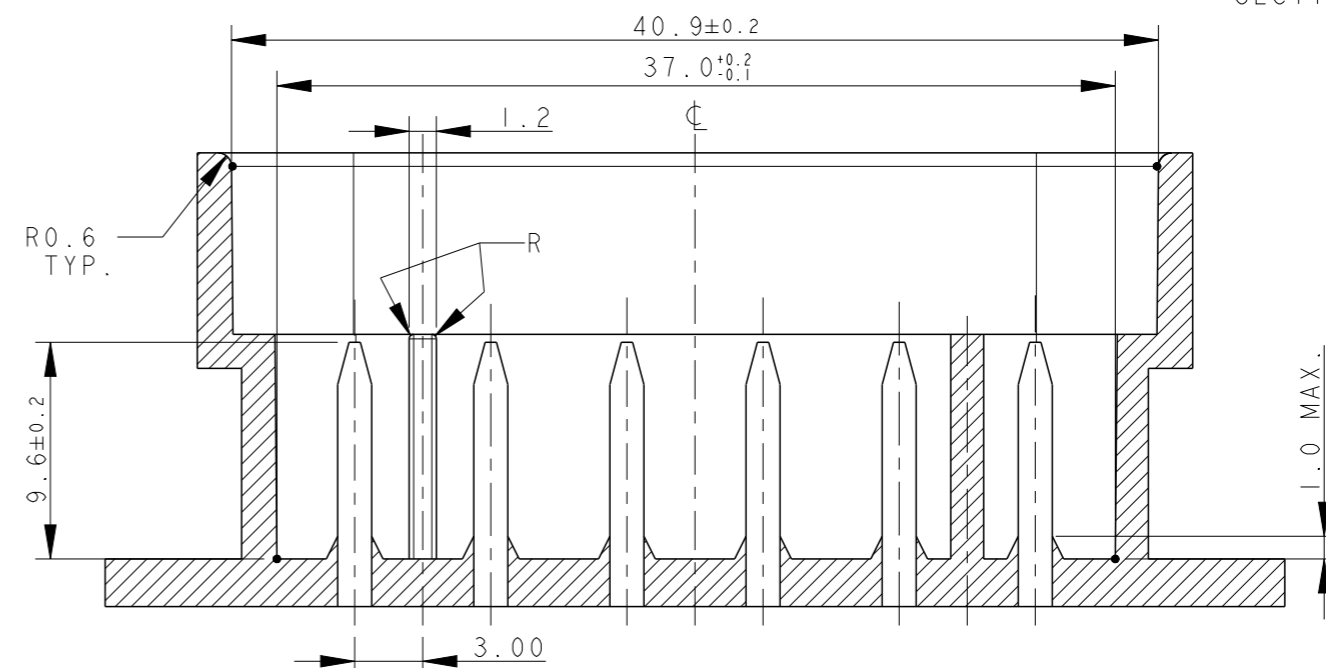
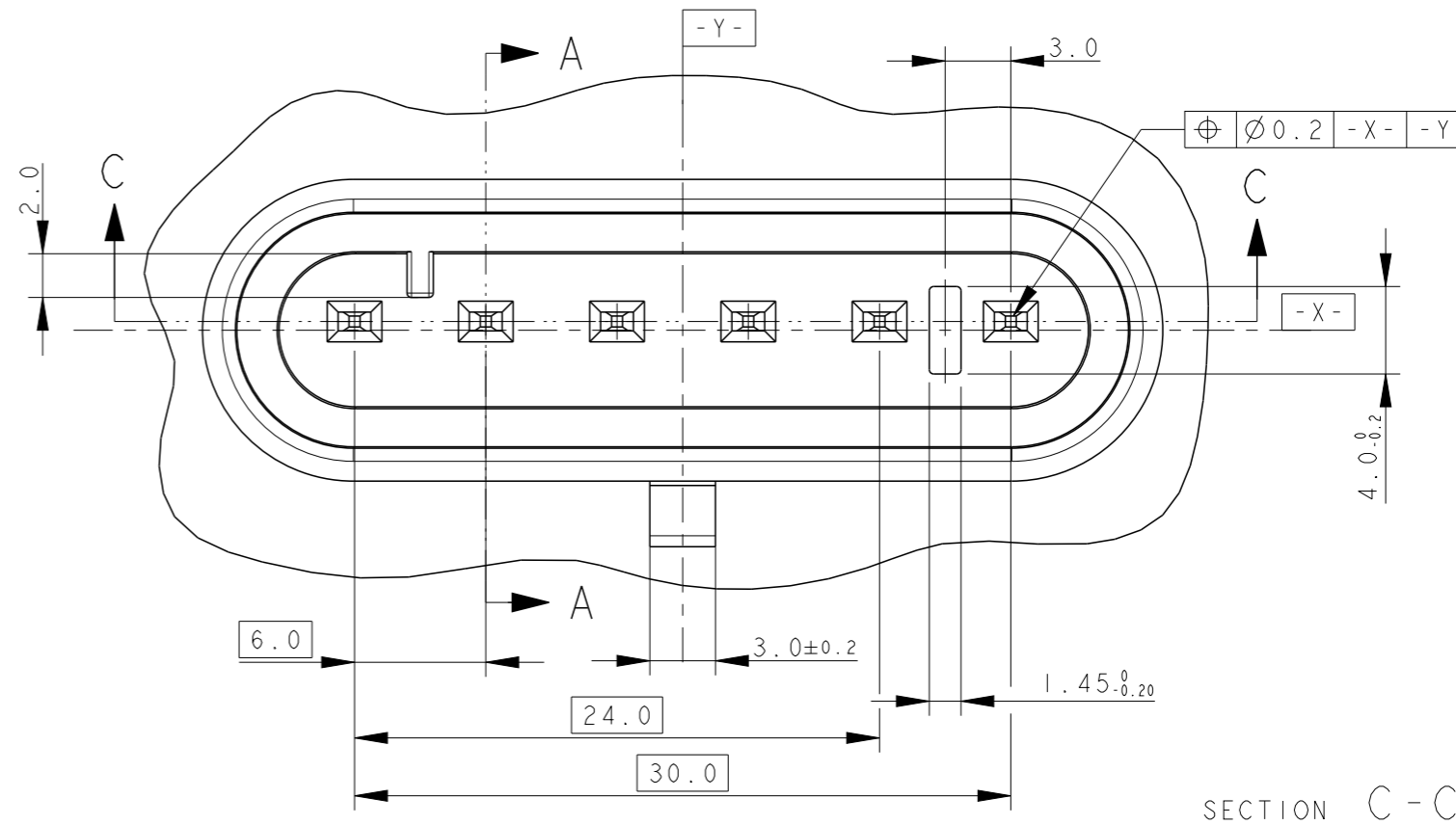
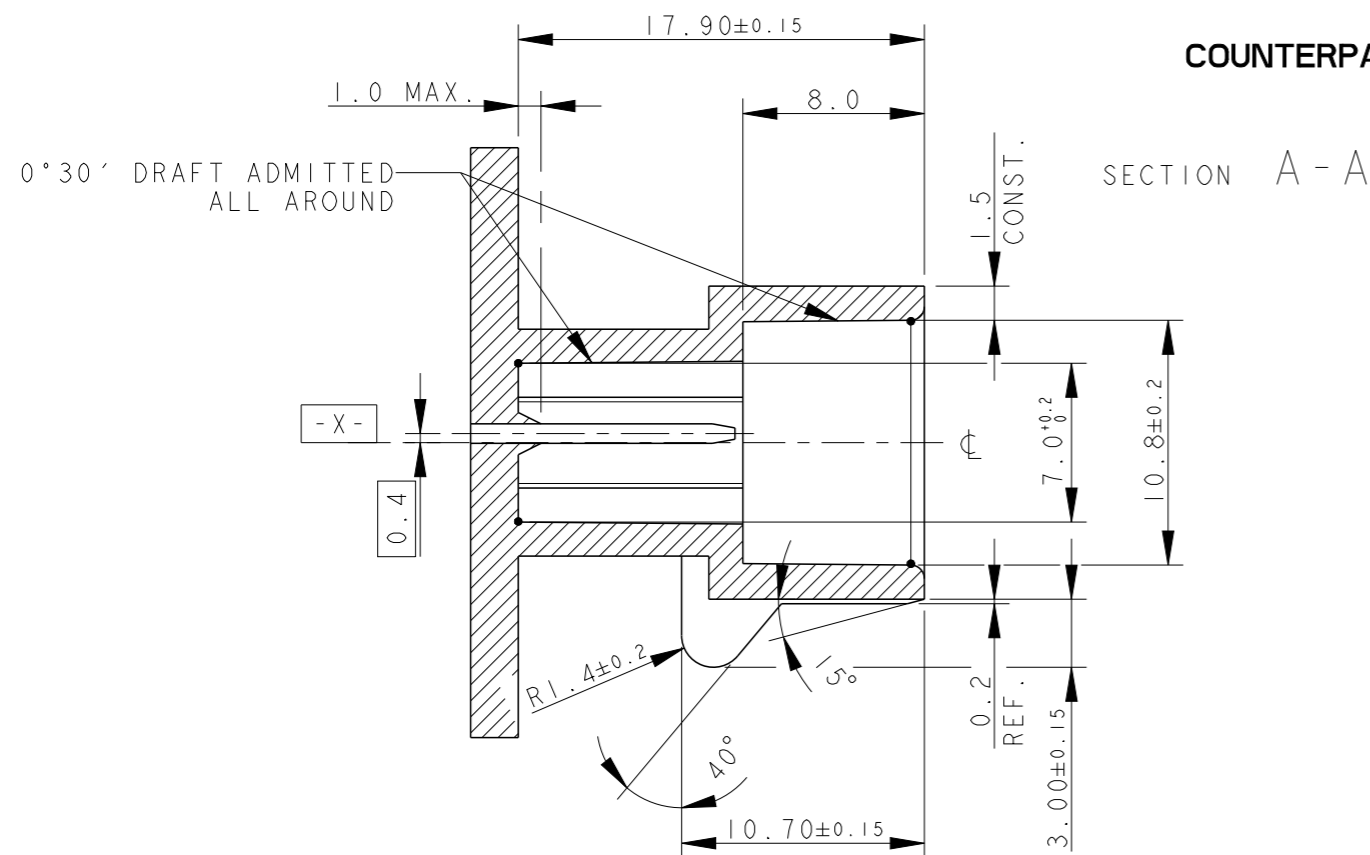
THIS DRAWING IS A CONTROLLED DOCUMENT.	
DIMENSIONS: mm	TOLERANCES UNLESS OTHERWISE SPECIFIED:
	0 PLC ±0.3
	1 PLC ±0.3
	2 PLC ±0.3
	3 PLC ±0.3
	4 PLC ±0.3
	ANGLES ±2°
MATERIAL	FINISH
SEE TABLE	SEE TABLE

DWN	C. BERTINI	05-1992
CHK	A. BRUNI	05-1992
APVD	-	-
PRODUCT SPEC	108-20090	
APPLICATION SPEC	412-20000	
WEIGHT	6.55gr	

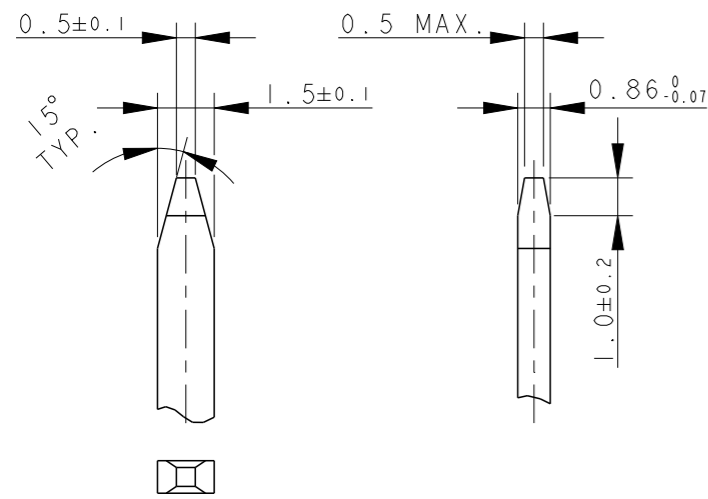
		TE Connectivity	
		AMP SUPERSEAL 1.5 SRS. 6 POSITIONS PLUG ASS'Y	
SIZE	CAGE CODE	DRAWING NO	RESTRICTED TO
A3	00779	C-282090	-
Customer Drawing		SCALE	SHEET
		3:1	1 OF 2
			REV E1

P	LTR	DESCRIPTION	DATE	DWN	APVD
		SEE SHEET 1			

COUNTERPART DETAILS



TAB DETAILS



THIS DRAWING IS A CONTROLLED DOCUMENT.		DWN C. BERTINI 05-1992	TE Connectivity			
DIMENSIONS: mm		CHK A. BRUNI 05-1992				
TOLERANCES UNLESS OTHERWISE SPECIFIED:		APVD -	NAME -			
<ul style="list-style-type: none"> 0 PLC ±0.3 1 PLC ±0.1 2 PLC ±0.05 3 PLC ± 4 PLC ± ANGLES ±2° 		PRODUCT SPEC 108-20090	AMP SUPERSEAL 1.5 SRS. 6 POSITIONS PLUG ASS'Y			
MATERIAL		APPLICATION SPEC 412-20000	SIZE A300779	CAGE CODE C-282090	DRAWING NO -	RESTRICTED TO -
FINISH		WEIGHT 6.55gr	SCALE 5:1		SHEET 2 OF 2	REV E1
		Customer Drawing				

MATERIALS: PA66-GF FOR HOUSING
TIN PLATED BRASS FOR TABS