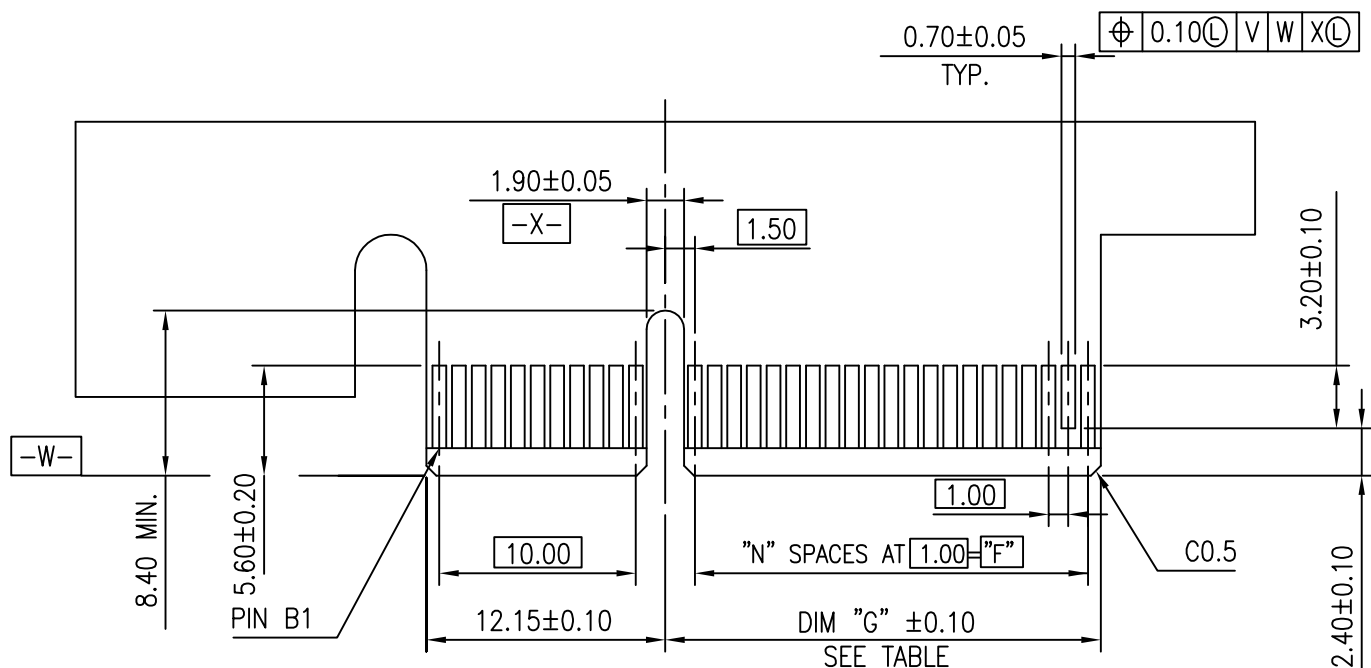


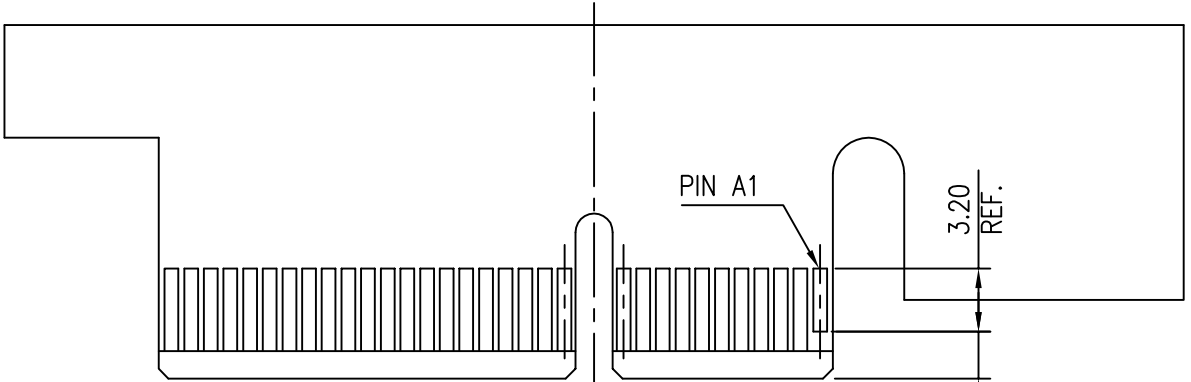
HOLD DOWN TYPE

FCI
FCIconnect.com

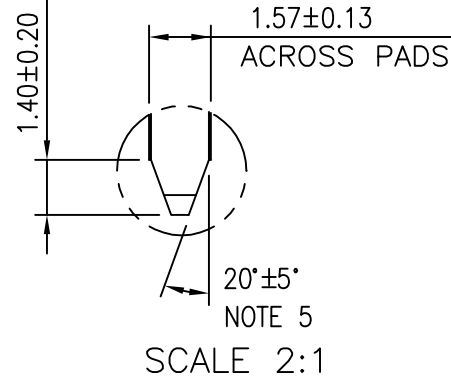
mat'l. code				surface 58 / ISO 1302		tolerance ISO 406 ISO 1101		projection		product family PCI_EXPRESS			
-				ISO 1302		ISO 406 ISO 1101		MM		title			
ltr	ecn no	dr	date	tolerances unless otherwise specified						PCI_EXPRESS_CARD_EDGE ASSEMBLY(SMT)			
C	T07-1083	RC	05/25/'07	angles linear	.X±.3		MM		scale 1				
D	T07-1120	RC	07/31/'07		.XX±.20								
E	DG08-0111	RC	05/08/'08	0°±2°	XXX±.10								
F	T08-1097	RC	06/03/'08	dr	MAGGIE_WU	06'/6/21	FCI		dwg no		sheet 1 of 4	size	
G	T08-1XXX	RC	9/9/08	enr	RICHARD_CHIU	06'/6/21			10061913		A4		
H	T10-0007	JH	1/30/10	chr	PAUL_WANG	06'/6/21			type		CUSTOMER Drawing		
J	ELX-DG-14311	WL	2013-03-21	app	JOSEPH_HSIA	06'/6/21							
sheet index		revision sheet	J 1	J 2	J 3	J 4	J 5	J 6					



← I/O PANEL DIRECTION
PRIMARY (COMPONENT) SIDE



I/O PANEL DIRECTION →
SECONDARY (SOLDER) SIDE

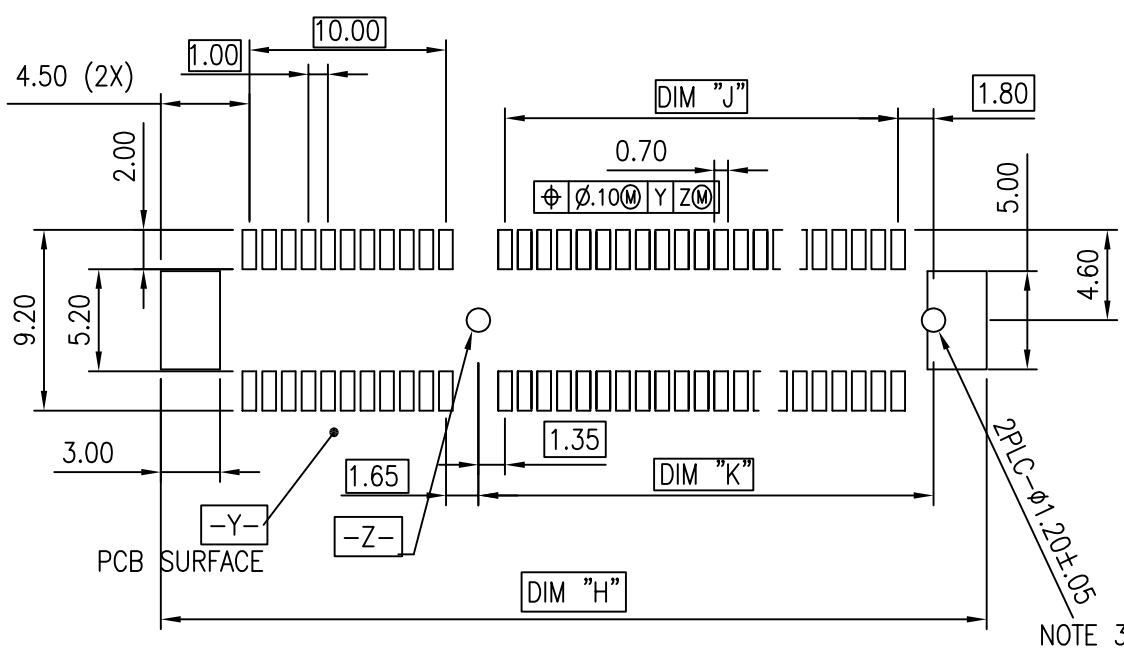


#	POS	REF.	N	DIM "G"	DIM "F"	"F"
36	6		6	8.15	6.00	B17
64	20		20	22.15	20.00	B31
98	37		37	39.15	37.00	B48
164	70		70	72.15	70.00	B81

ADD-IN CARD EDGE-FINGER DIMENSIONS



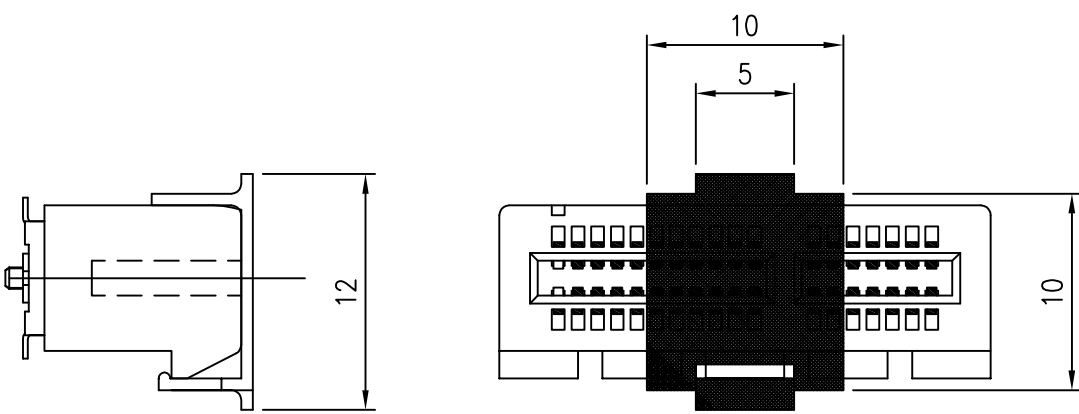
mat'l. code				surface 58		tolerance		projection		product family			
-				ISO 1302		ISO 406 ISO 1101		MM		PCI_EXPRESS			
ltr	ecn no	dr	date	tolerances unless otherwise specified						title			
J	-	-	-	angles		linear		MM		PCI_EXPRESS_CARD_EDGE ASSEMBLY(SMT)			
				0°±2°				scale 2		dwg no		sheet 2 of 4	size
				dr	MAGGIE_WU	06'/6/21	FCI		10061913		A4		
				enr	RICHARD_CHIU	06'/6/21							
				chr	PAUL_WANG	06'/6/21							
				app	JOSEPH_HSIA	06'/6/21							
sheet index		revision sheet		J	2				type		CUSTOMER Drawing		



RECOMMENDED PCB LAYOUT, PAD TYPE

DIMENSIONS								
POSITION	A	B ± 0.15 -0.05	C ± 0.20	D ± 0.23	E ± 0.20	H ± 0.10	J	K ± 0.10
36	6.00	7.65	9.15	25.00	27.00	28.00	6.00	9.15
64	20.00	21.65	23.15	39.00	41.00	42.00	20.00	23.15
98	37.00	38.65	40.15	56.00	58.00	59.00	37.00	40.15
164	70.00	71.65	73.15	89.00	91.00	92.00	70.00	73.15

POSTION OF CAP



FCI
FCIconnect.com

mat'l. code				surface 58		tolerance		projection		product family			
-				ISO 1302		ISO 406		ISO 1101		PCI_EXPRESS			
ltr	ecn no	dr	date	tolerances unless otherwise specified						title			
J	-	-	-	angles		linear		.X±.2		PCI_EXPRESS_CARD_EDGE ASSEMBLY(SMT)			
								.XX±.13					
				0°±2°				XXX±.05					
				dr	MAGGIE_WU	06'/6/21	FCI		dwg no		sheet 3 of 4		size
				enr	RICHARD_CHIU	06'/6/21			10061913		A4		
				chr	PAUL_WANG	06'/6/21			CUSTOMER Drawing				
				app	JOSEPH_HZIA	06'/6/21							
sheet index		revision sheet		J	3								

NOTES:

1.MATERIAL:

HOUSING: NYLON, GLASS FILLED UL94V-0 RATE, SUITABLE FOR I.R SOLDERING.

TERMINAL: COPPER ALLOY

PLATING: 50u" NICKEL UNDERPLATE ALL OVER
CONTACT AREA PLATING - SEE PRODUCT NUMBER CODE
SOLDER TAIL: TIN 100u" OVER 50u" NICKEL

METAL PADS: COPPER ALLOY
FINISH: 100u" TIN OVER 50u" NICKEL

2.PRODUCT SPECIFICATION: GS-12-390

③THE HORIZONTAL AXIS FOR THE PAD PATTERN IS ESTABLISHED BY
A LINE THROUGH THE CENTER OF THE TWO Ø1.0 HOLES.
THE VERTICAL AXIS IS 90° TO THE HORIZONTAL AXIS, THROUGH THE CENTER
OF DATUM $\square Z \square$

④NO TIE BAR PERMITTED FROM CARD EDGE TO LEADING EDGE OF PAD FOR
PINS A1.

⑤CHAMFER EDGES MUST BE FREE OF CUTTING BURRS.

7.RoHS COMPATIBLE PRODUCT SPECIFICATIONS

a - PLATING:

- "LF" MEANS THE PRODUCT IS LEAD-FREE, 2um MINIMUM MATTE TIN OVER 1.27um
MINIMUM NICKEL UNDERPLATE.

b - MANUFACTURING PROCESS COMPATIBILITY

- THE HOUSING WILL WITHSTAND EXPOSURE TO 260°C±5°C PEAK TEMPERATURE FOR
5 SECONDS IN A CONVECTION, INFRA-RED OR VAPOR PHASE REFLOW OVEN.

PRODUCT NUMBER CODE

10061913 -X X X X L F

HOUSING COLOR OPTIONS

0-WHITE
1-BLACK

LEAD FREE

PACKAGING OPTIONS

T-TRAY PACKAGING WITHOUT CAP
R-TAPE & REEL PACKING WITHOUT CAP AND MYLAR (FOR
36P&64P OPTIONS ONLY)
P-TAPE & REEL PACKING WITH CAP (FOR 36P&64P&98P
OPTIONS ONLY)
C-TRAY PACKAGING WITH CAP
M-TAPE & REEL PACKING WITH MYLAR (FOR 36P&64P
OPTIONS ONLY)
N-TRAY PACKAGING WITH MYLAR
Y-HARD TRAY(FOR 164P ONLY)
Z-HARD TRAY PACKAGING WITH MAYLAR(FOR 164P ONLY)
A-44MM WIDTH TAPE&REEL PACKING WITH MYLAR(FOR 36P ONLY)

TERMINAL PLATING OPTIONS

0-50u" Ni UNDERPLATE
30u" Au CONTACT AREA
100u" TIN TAIL AREA ----- COMPATIBLE RoHS
1-50u" Ni UNDERPLATE
15u" Au CONTACT AREA
100u" TIN TAIL AREA ----- COMPATIBLE RoHS
2-50u" Ni UNDERPLATE
GOLD FLASH CONTACT AREA
100u" TIN TAIL AREA ----- COMPATIBLE RoHS

POS OPTIONS

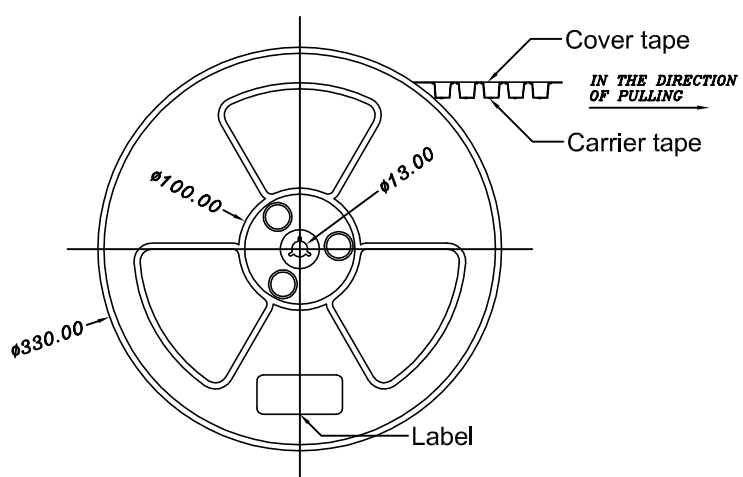
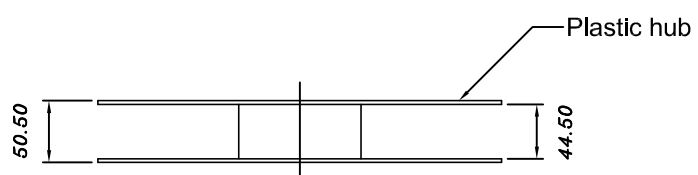
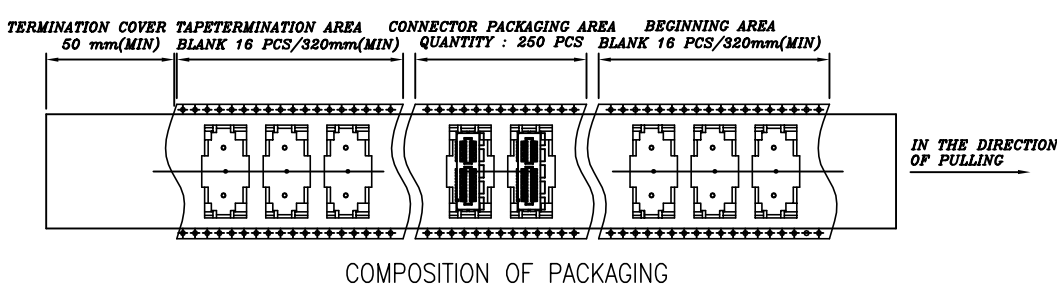
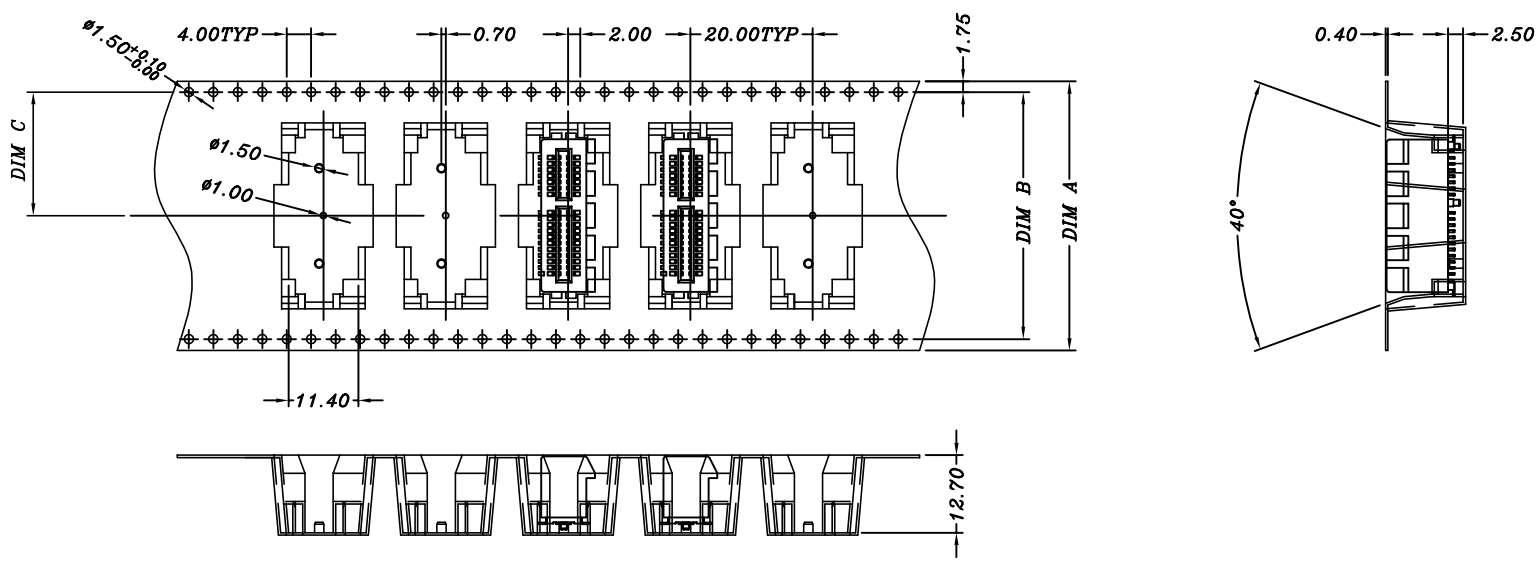
0-36
1-64
2-98
3-164

mat'l. code				surface 58/		tolerance		projection		product family				
-				ISO 1302 ✓		ISO 406 ISO 1101				PCI_EXPRESS				
ltr	ecn no	dr	date	tolerances unless otherwise specified						title				
J	-	-	-	angles		linear		.X±.2		PCI_EXPRESS_CARD_EDGE ASSEMBLY(SMT)				
				0°±2°				.XX±.13						
								XXX±.05						
				dr	MAGGIE_WU	06'/6/21			dwg no		sheet 4 of 4		size	
				enr	RICHARD_CHIU	06'/6/21			10061913		A4			
				chr	PAUL_WANG	06'/6/21			type		CUSTOMER Drawing			
				app	JOSEPH_HSIA	06'/6/21								
sheet index		revision sheet		J	4									



FCIconnect.com

Copyright FCI



TAPE AND REEL
PACKING
RECOMMENDED FOR
36PINS ONLY

DIMENSIONS					
POSITIONS	A	B	C	D REF.	E REF.
36 (10061913-xxxALF)	44.00	40.40	20.20	44.5	50.5
64	56.00	52.60	26.30	56.4	60.4

mat'l. code				surface 58		tolerance		projection		product family				
-				ISO 1302		ISO 406 ISO 1101				PCI_EXPRESS				
ltr	ecn no	dr	date	tolerances unless otherwise specified						title				
J	-	-	-	angles		linear		MM		PCI_EXPRESS_CARD_EDGE ASSEMBLY(SMT)				
				0°±2°		.X±.3		scale 1		dwg no		sheet 5 of 6		size
				dr	MAGGIE_WU	06'/6/21			10061913		CUSTOMER Drawing		A4	
			enr	RICHARD_CHIU	06'/6/21									
			chr	PAUL_WANG	06'/6/21									
			app	JOSEPH_HZIA	06'/6/21									
sheet index	revision sheet	J	5											



Copyright FCI

1 For PCI EXPRESS SMT TYPE 36P ONLY.

2. Material :

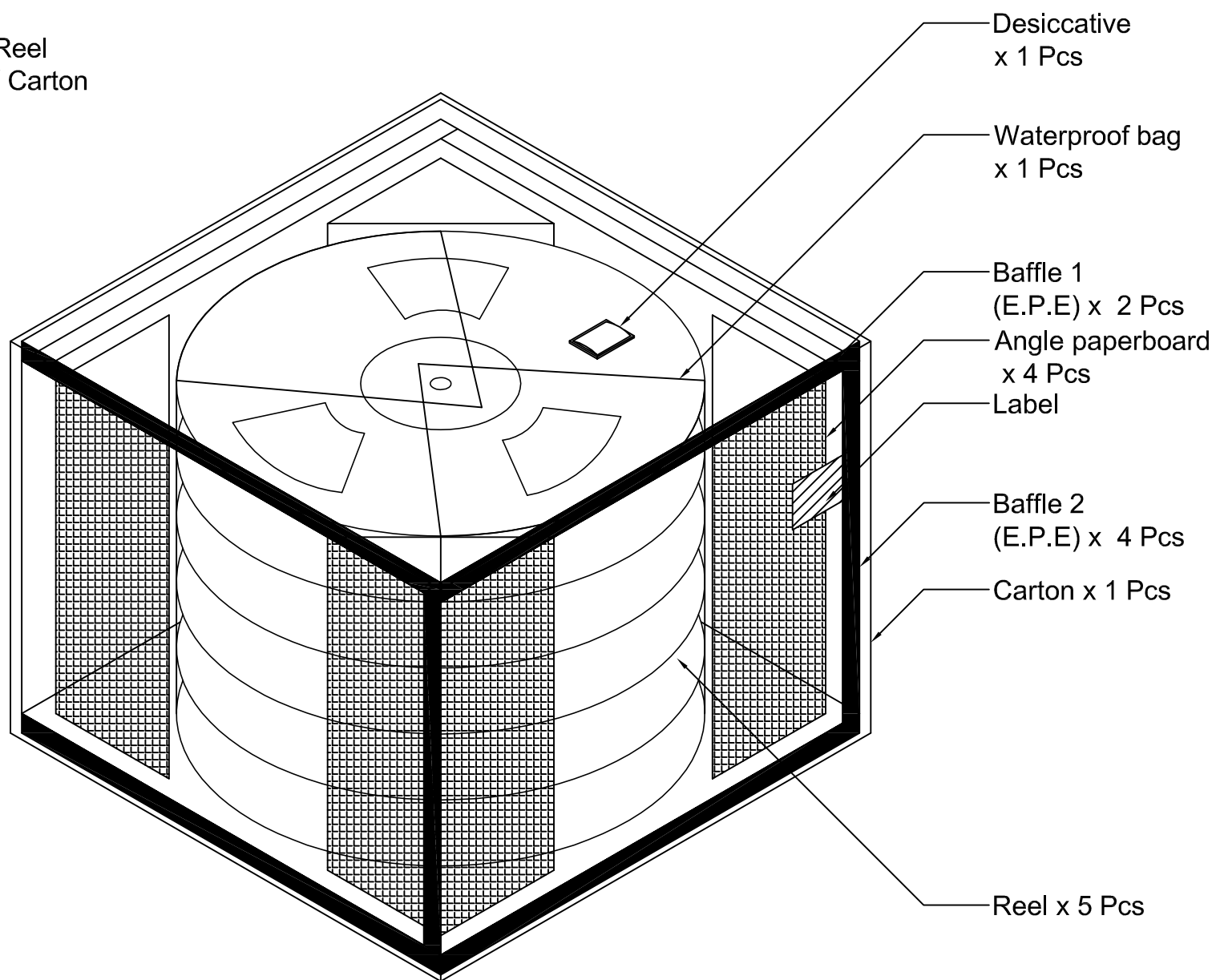
- 2.1 Reel :
 - 2.1.1 Plastic hub : High Impact Polystyrene
 - 2.1.2 Cover tape : PE
 - 2.1.3 Carrier tape : ABS
- 2.2 Waterproof bag : PE
- 2.3 Desiccative : Silica Gel
- 2.4 Carton : Corrugated paper
- 2.5 Baffle : E.P.E
- 2.6 Angle paperboard : Corrugated paper

3. Dimension :

- 3.1 Reel :
 - 3.1.1 Plastic hub : $\phi 330 \times T50.5$ mm
 - 3.1.2 Cover tape : 5690(L) x 37.4(W) mm
 - 3.1.3 Carrier tape : 5640(L) x 44(W)mm
- 3.2 Waterproof bag : 600(H) x 465(W) x 0.06(T) mm
- 3.3 Desiccative : 25 gram / Package
- 3.4 Carton : 380(L) x 380(W) x 300(H) mm
- 3.5 Baffle (1): 370(L) x 370(W) x 15(H) mm
- 3.6 Baffle (2): 355(L) x 252(W) x 15(H) mm
- 3.7 Angle paperboard : 252(H)

4. Quantity :

- 4.1 250 Pcs / Reel
- 4.2 1250 Pcs / Carton



A

A

B

B

C

C



FCIconnect.com

Copyright FCI

mat'l. code				surface 58/		tolerance		projection		product family			
-				ISO 1302		ISO 406		ISO 1101		PCI_EXPRESS			
ltr				ecn no		dr		date		title			
J				-		-		-		PCI_EXPRESS_CARD_EDGE ASSEMBLY(SMT)			
				angles		linear		MM		scale 1			
				0°±2°						dwg no			
				dr		MAGGIE_WU		06'/6/21		sheet 6 of 6			
				enr		RICHARD_CHIU		06'/6/21		size			
				chr		PAUL_WANG		06'/6/21		10061913			
				app		JOSEPH_HSIA		06'/6/21		A4			
sheet				revision		J				type			
index				sheet		6				CUSTOMER Drawing			

D

D