

Customer Information Sheet

DRAWING No.: M80-301 TO M80-302

SHEET 2 OF 2

IF IN DOUBT - ASK

(C)

NOT TO SCALE

THIRD ANGLE PROJECTION

ALL DIMENSIONS IN mm

SPECIFICATIONS:

MATERIALS:

BODY = BRASS
 INNER CONTACT = BERYLLIUM COPPER
 INSULATOR = PTFE

FINISH:

BODY, INNER CONTACT = GOLD

ELECTRICAL:

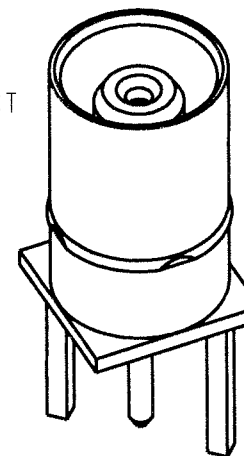
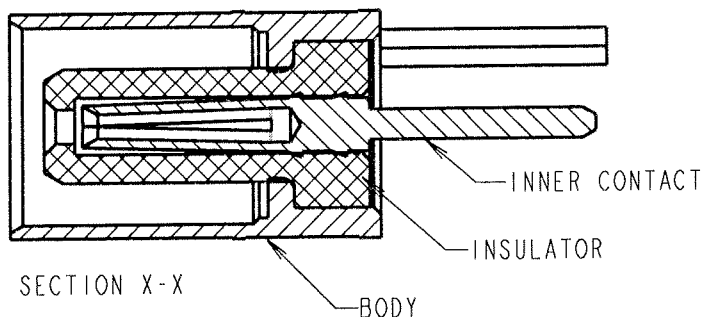
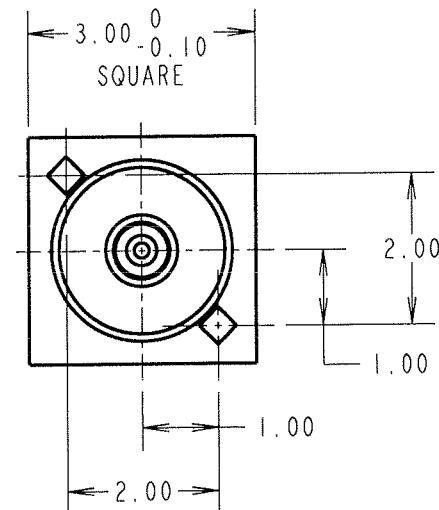
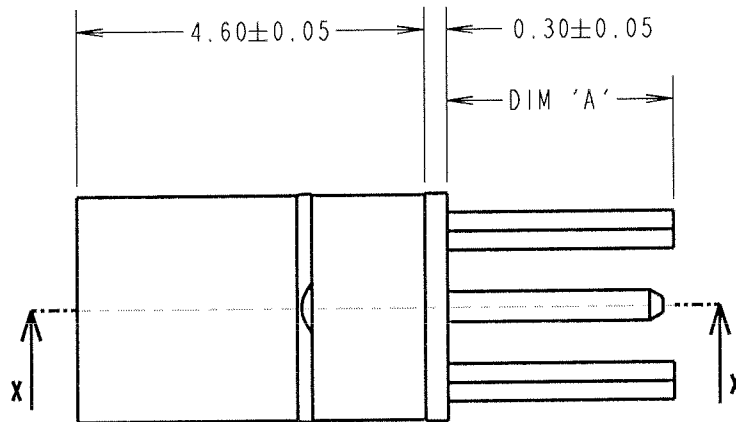
FREQUENCY RANGE = 6GHz
 IMPEDANCE = 50Ω
 V.S.W.R. = $1.05 + (0.04 \times \text{FREQUENCY}) \text{ GHz MAX}$
 CONTACT RESISTANCE = $6m\Omega \text{ MAX}$
 INSULATION RESISTANCE = $10^6 m\Omega @ 250V \text{ AC}$
 OPERATING VOLTAGE = 180V AC @ 500mA
 MAXIMUM VOLTAGE = 1,000V AC

MECHANICAL:

DURABILITY = 500 OPERATIONS
 INSERTION FORCE = 5N MAX, 0.6N MIN
 WITHDRAWAL FORCE = 2N MAX, 0.5N MIN
 CONTACT REPLACEMENT IN INSULATOR = 5 TIMES

ENVIRONMENTAL:

TEMPERATURE RANGE = -55°C TO $+125^\circ\text{C}$



BMK	IA	20.11.06	9556
NAME	ISS.	DATE	C/NOTE
APPROVED: <i>[Signature]</i>			
CHECKED: <i>[Signature]</i>			
DRAWN:		B. M. KENT	
CUSTOMER REF.:			
ASSEMBLY DRG:			

PART No.	DIM 'A'
M80-301	3.00
M80-302	4.50

NOTES:

- CONNECTORS COMES SUPPLIED ASSEMBLED.
- RECOMMENDED PCB HOLE SIZE = $\varnothing 0.60\text{mm}$ MIN.
- FOR ALL OTHER ELECTRICAL/ MECHANICAL REQUIREMENTS, SEE COMPONENT SPECIFICATION C005XX (LATEST ISSUE).

HARWIN

HARWIN INC
 U.S.A.
 TEL: (812) 542 2540
 FAX: (812) 542 2541

HARWIN PLC
 U.K.
 TEL: 023 9231 4545
 FAX: 023 9231 4590

HARWIN PTE
 SINGAPORE
 TEL: 65 6779 4909
 FAX: 65 6779 3868

THIS DRAWING AND ANY INFORMATION OR DESCRIPTIVE MATTER SET OUT HEREON ARE CONFIDENTIAL AND COPYRIGHT PROPERTY OF THE HARWIN GROUP AND MUST NOT BE DISCLOSED, LOANED, COPIED OR USED FOR MANUFACTURING, TENDERING OR FOR ANY OTHER PURPOSE WITHOUT THEIR WRITTEN PERMISSION.

TOLERANCES
 X. = $\pm 1\text{mm}$
 X.X = $\pm 0.25\text{mm}$
 X.XX = $\pm 0.10\text{mm}$
 X.XXX = $\pm 0.01\text{mm}$
 ANGLES = $\pm 5^\circ$
 UNLESS STATED

MATERIAL:
 SEE ABOVE
FINISH: SEE ABOVE
S/AREA: mm²

TITLE: DATAMATE MIX-TEK
 COAX CONTACT
 FEMALE VERTICAL PC-TAIL

DRAWING NUMBER:
 M80-301 TO M80-302

SHT
 2 OF 2