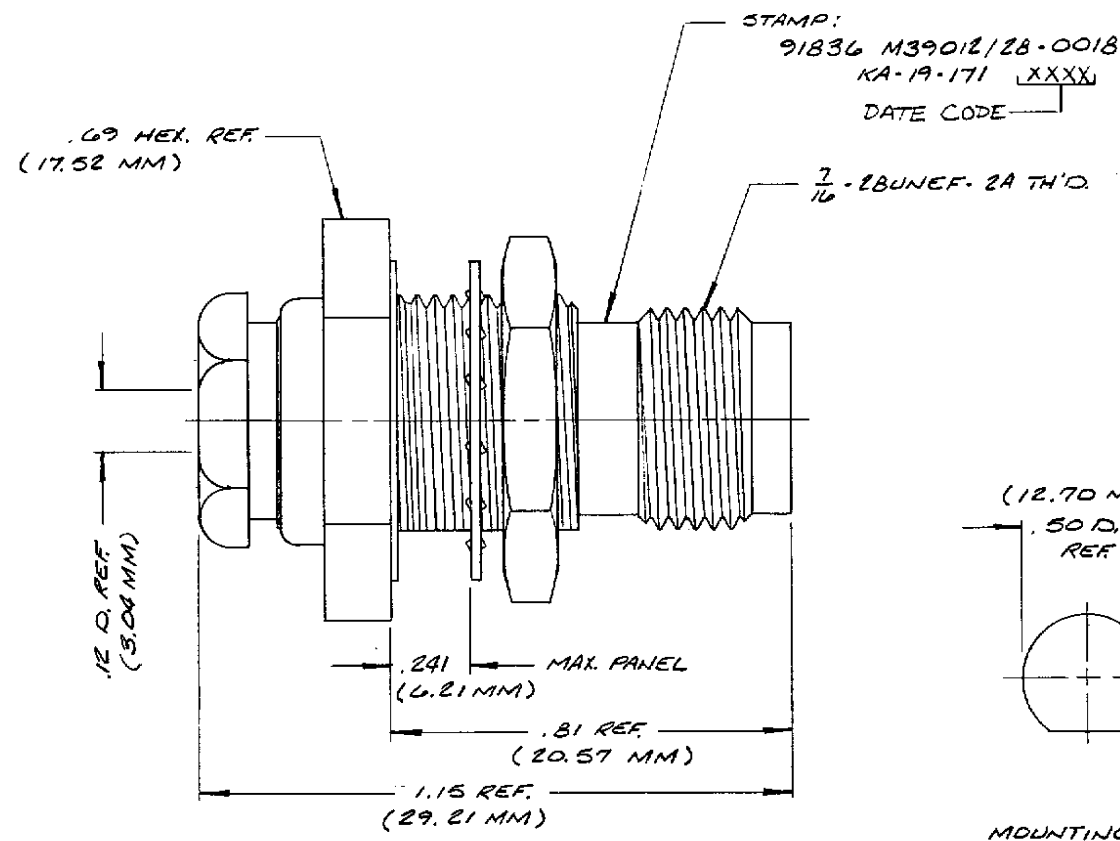


REVISIONS

ISSUE	CHANGES
1	CN 22767 E JEP 17 NOV 81
2	CN 32302 A LNM 20 JUN 90
3	CN 32955 A WJM 12 MAR 91

GSD

M39012/28-0018


NOTES:

- FOR USE WITH RG-174 & 3161U CABLES.
- FOR CABLING INSTRUCTIONS SEE CP-1050.
- MATERIALS:**
CENTER CONTACT - BERYLLIUM COPPER, QQ-C-530.
LOCKWASHER - PHOSPHOR BRONZE, QQ-B-750.
ALL OTHER METAL PARTS - BRASS, QQ-B-626
GASKETS - SILICONE RUBBER, 22-R-765.
INSULATOR - TEFLON, L-P-403.

(NOTES CONT'D.)

- FINISHES:**
CENTER CONTACT - GOLD PLATE,
MIL-G-45204B
ALL OTHER METAL PARTS - SILVER
PLATE, QQ-6-365.
- ELECTRICAL CHARACTERISTICS:**
NOMINAL IMPEDANCE - 50 Ω OHMS
FREQUENCY RANGE - DC-11GHZ
WORKING VOLTAGE - 500 RMS

UNLESS OTHERWISE SPECIFIED:

- | | |
|---|--|
| 1. TOLERANCES: FRACTIONS & 2 PLACE DECIMALS ± .010
3 PLACE DECIMALS ± .004 ANGLES ± 0°30' | 2. REMOVE ALL BURRS, BREAK SHARP EDGES .005 MAX. |
| T. I. R. CONCENTRICITY OF ANY 2 DIAMETERS MAY NOT EXCEED HALF THE SUM OF THEIR TOLERANCES. | 3. NO FILLETS PERMITTED. |
| | 4. SURFACE ROUGHNESS 63 MICROINCHES RMS MAX. |
| | 5. ALL DIMENSIONS PRIOR TO PLATING. |
| | 6. ALL PLATING IN ACCORDANCE WITH KER 10004. |

SCALE:	4:1
APPROX. SURFACE AREA:	
	KA-19-171
USED ON:	
REF:	
	TNC BULKHEAD JACK

DRAWN	MCD	DATE	21 DEC 83
APPR.	MJB	DATE	22 DEC 83

KINGS
ELECTRONICS CO., INC.
TELEPHONE, NEW YORK 10001

GSD

M39012/28-0018