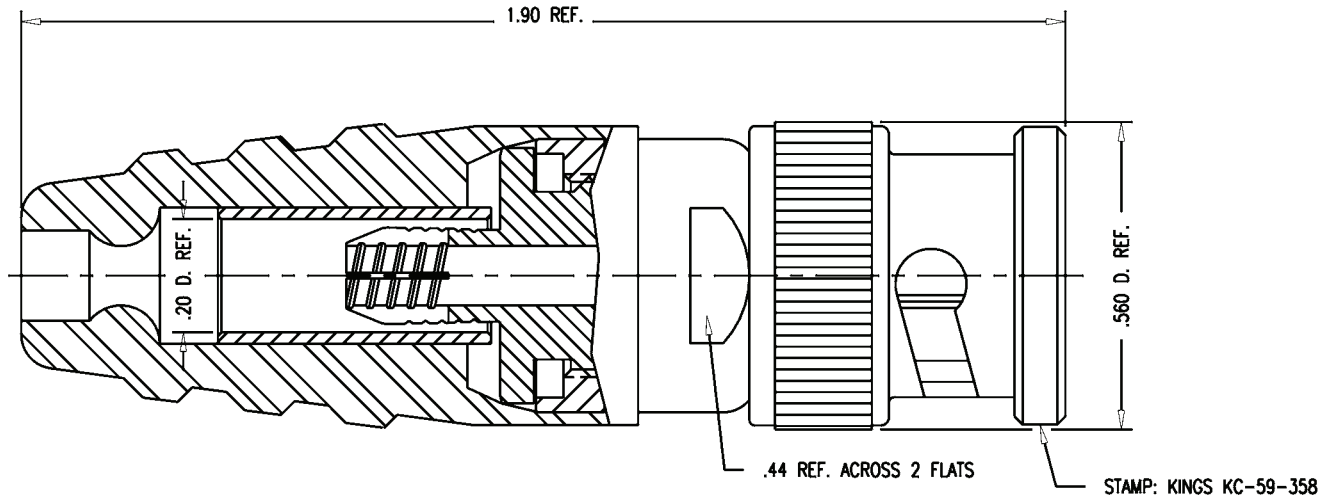


SD



- NOTES:
1. FOR USE WITH RG-59, 59A, 59B, 62, 62A, 62C & 210/U CABLE.
 2. FOR CABLE TRIMMING USE KTJ-62 & KTD-96.
 3. FOR CRIMPING USE DIE KTH 2002.
 4. FOR CABLING INSTRUCTIONS SEE CP-420.

KC-59-358

REVISIONS

ISSUE	CHANGES
4	CN 37765 C REDRAWN HVN 01/20/99

KC59358S

SCALE 4:1

APPROX SURFACE AREA

USED ON

REF:

PLUG, BNC

DRAWN	HVN	DATE	01/20/99
DESIGN	WLA	DATE	12/17/71
APPR.	EGR	DATE	12/17/71

KINGS
ELECTRONICS CO., INC.
TUCKAHOE, NEW YORK 10707

KC-59-358

SD