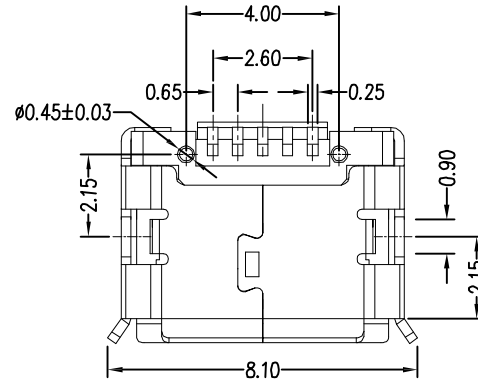
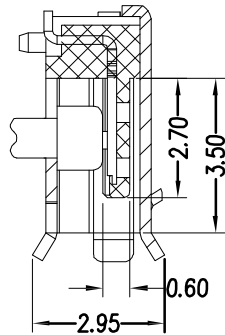
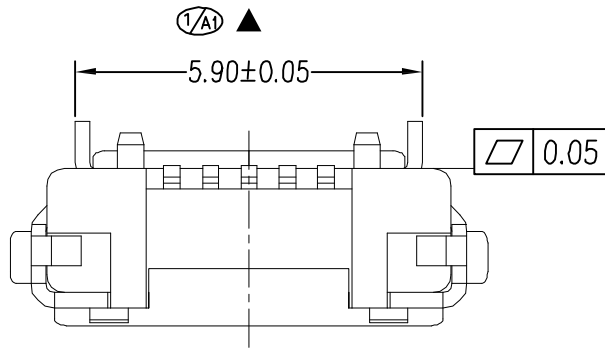




REV.	ECN NO OR DESCRIPTION	REVISED	DATE



备注Note:

原材料Material:

1. 塑胶Housing: High temperature thermoplastic with g.f, UL94v-0
2. 端子Contact: copper alloy, t=0.15mm
3. 外壳Shell: copper alloy, t=0.25mm

规格说明Specification:

1. 额定电流Current rating: 1, 5PIN 1.8A Max/2, 3, 4PIN 1A Max.
2. 耐电压Dielectric withstanding voltage: 100 V(ac) for 1 min.
3. 接触阻抗Contact resistance: 30 mΩ Max.
4. 绝缘阻抗Insulation resistance: 100 MΩ Min.
5. 插入力Total mating force: 3.57 Kgf Max.
6. 拔出力Total unmating force: 1.0 Kgf Min.
7. 工作温度Temperature range: -30° C~80° C

端子电镀 01: Au1u"; 02: Au1.5u"; 03: Au3u"  
05: Au5u"; 10: Au10u"; 15: Au15u"; 30: Au30u"

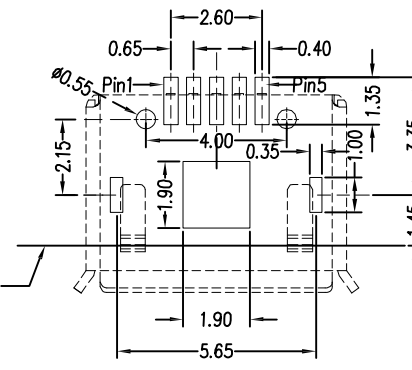
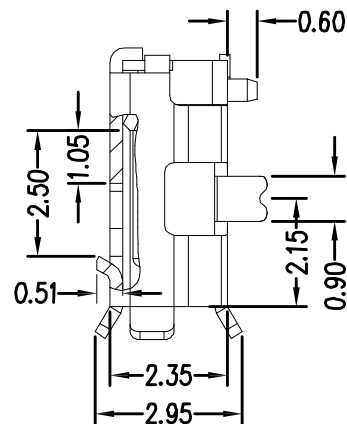
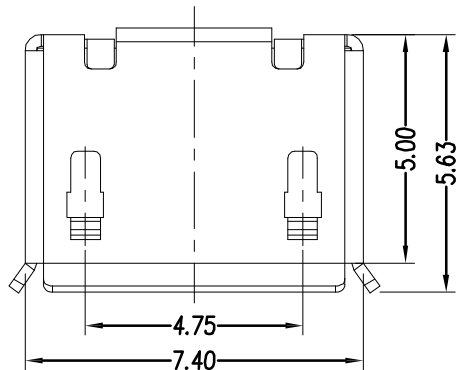
主体颜色 : 黑色

主体材质 : LCP

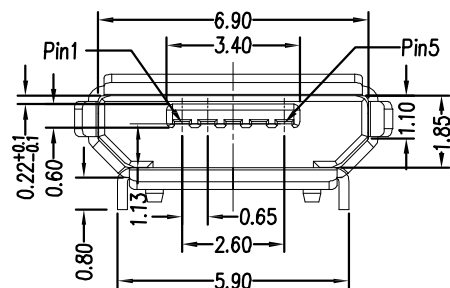
端子材质 : C5191R-EH

外壳电镀 1: N50u" 2: 雾T50u" 3: N+Au1u" (脚) 4: Au1u"

外壳材质 : C2680R-H SUS304R-1/2H



RECOMMENDED PCB LAYOUT  
PCB图仅供参考



UNLESS OTHERWISE SPECIFIED TOLERANCES

DECIMALS: ANGLES:  
X :±0.30 X :±2°  
X.X :±0.20 X.X :±1°  
X.XX :±0.10



东莞市汉博电子科技有限公司  
DONGGUAN HANBO TECHNOLOGY CO., LTD

TITLE	MICRO USB 5PF B型插板5.9有柱卷边		
DWN	xiong	PART NO.	MC-605-AJT
CHKD	lee	SCALE:1:1	UNIT: mm
APVD	wang	SIZE: A4	SHEET:10F 1
REV: A4			

CUSTOMER COPY