

# TO-220 Plastic-Encapsulate Diodes

## Schottky Rectifier

### Features

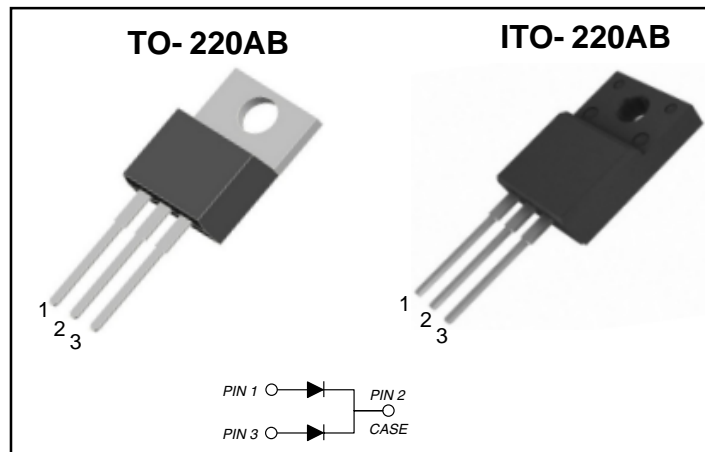
- $I_o$  20A
- $V_{RRM}$  150V
- High surge current capability
- Low  $V_f$

### Applications

- Rectifier

### Marking

- HD20U150(F)CT



### Limiting Values (Absolute Maximum Rating)

Item	Symbol	Unit	Test Conditions	HD20U150(F)CT
Repetitive Peak Reverse Voltage	$V_{RRM}$	V		150
Average Rectified Output Current	$I_o$	A	60HZ Half-sine wave, Resistance load, $T_c$ (Fig.1)	20.0
Surge(Non-repetitive)Forward Current	$I_{FSM}$	A	60Hz Half-sine wave , 1 cycle , $T_a = 25^\circ\text{C}$	340
Junction Temperature	$T_J$	$^\circ\text{C}$		-55~+150
Storage Temperature	$T_{STG}$	$^\circ\text{C}$		-55 ~ +150

### Electrical Characteristics ( $T_a = 25^\circ\text{C}$ Unless otherwise specified)

Item	Symbol	Unit	Test Condition	HD20U150(F)CT	
Peak Forward Voltage	$V_F$	V	$I_F = 10.0\text{A}$	0.78(TYP) 0.83(MAX)	
Peak Reverse Current	$I_{RRM1}$	mA	$V_{RM} = V_{RRM}$	$T_a = 25^\circ\text{C}$	0.1
	$I_{RRM2}$			$T_a = 125^\circ\text{C}$	5
Thermal Resistance(Typical)	$R_{\theta J-C}$	$^\circ\text{C/W}$	Between junction and case	2.0 <sup>1)</sup>	

### Notes:

Thermal resistance from junction to case per leg with heat-sink size of 2"×3"×0.25" AL-plate

# Typical Characteristics

FIG.1: FORWARD CURRENT DERATING CURVE

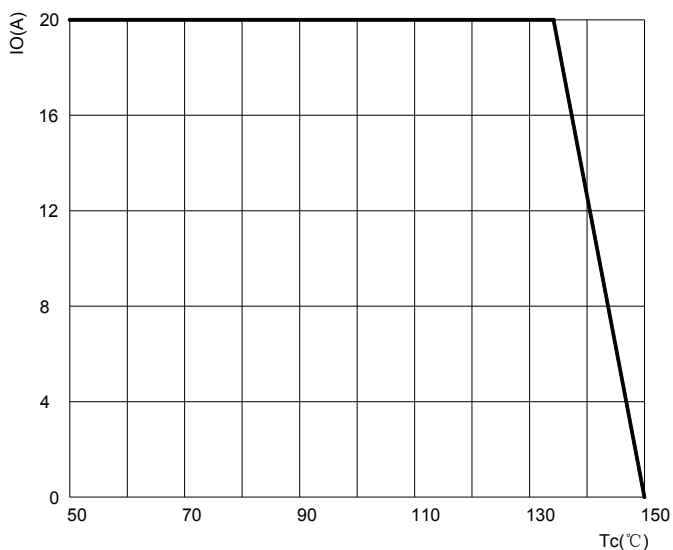


FIG.2: MAXIMUM NON-REPETITIVE FORWARD URGE CURRENT

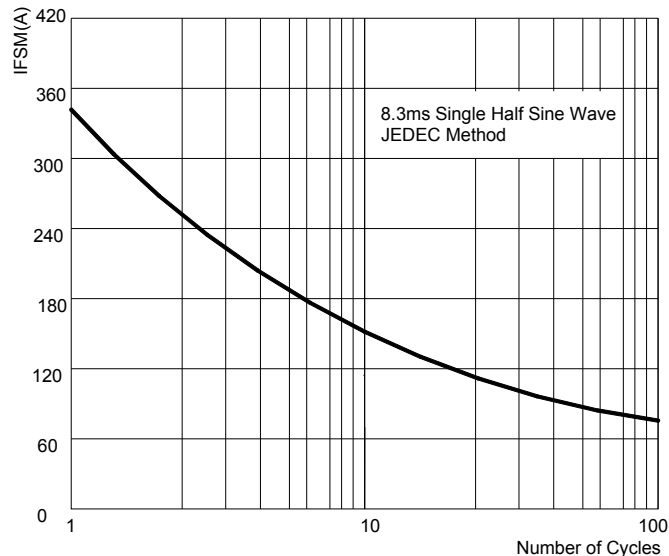


FIG3: Instantaneous Forward Voltage

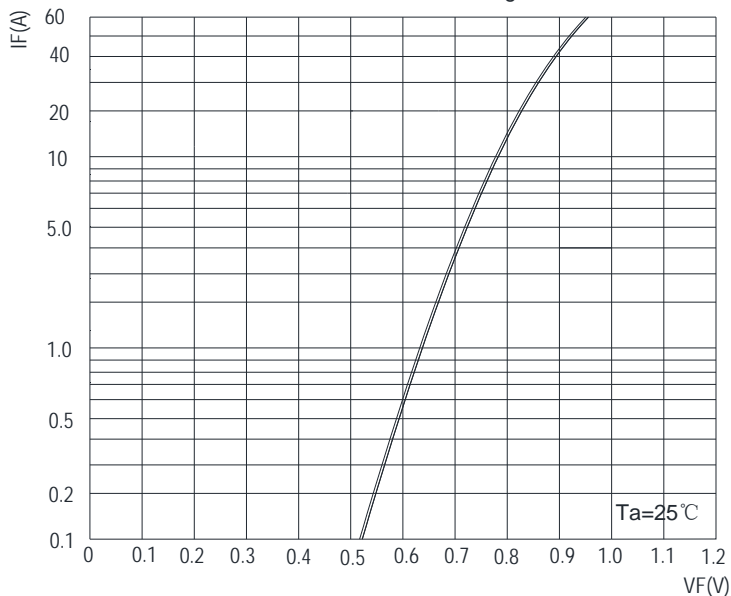
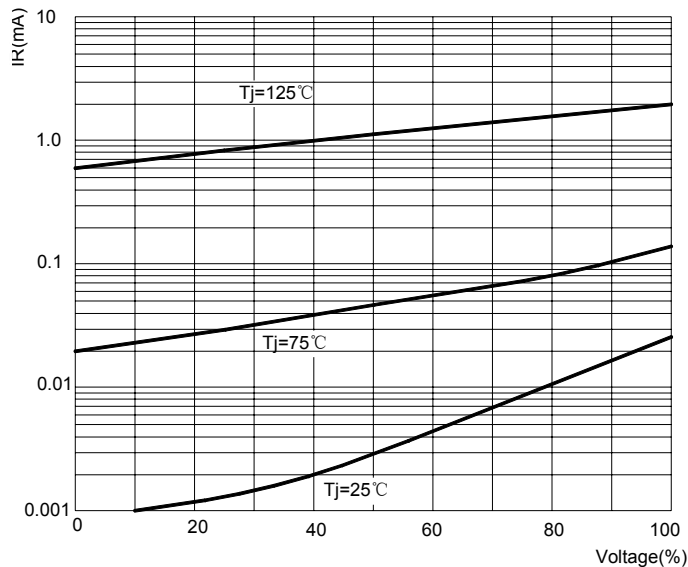
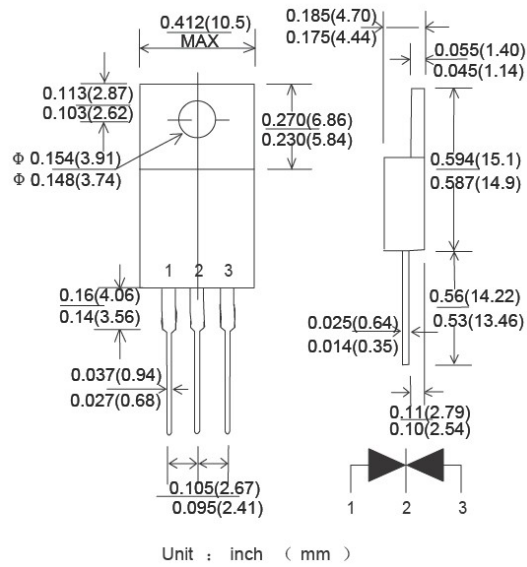


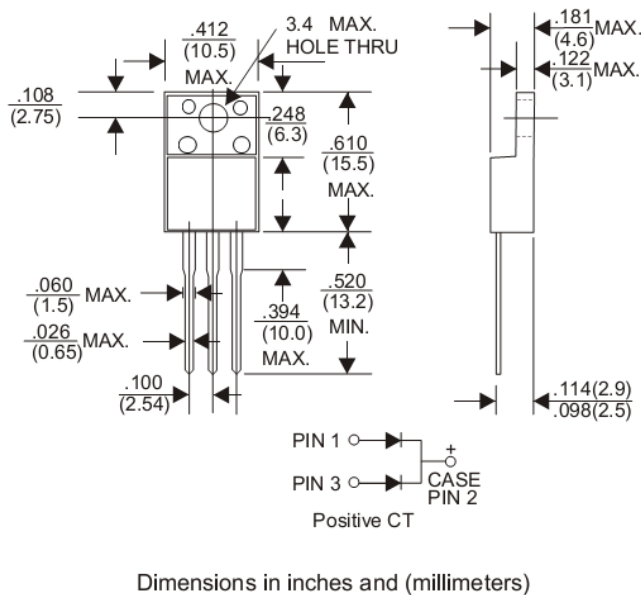
FIG.4: TYPICAL REVERSE CHARACTERISTICS



TO-220AB



ITO-220AB



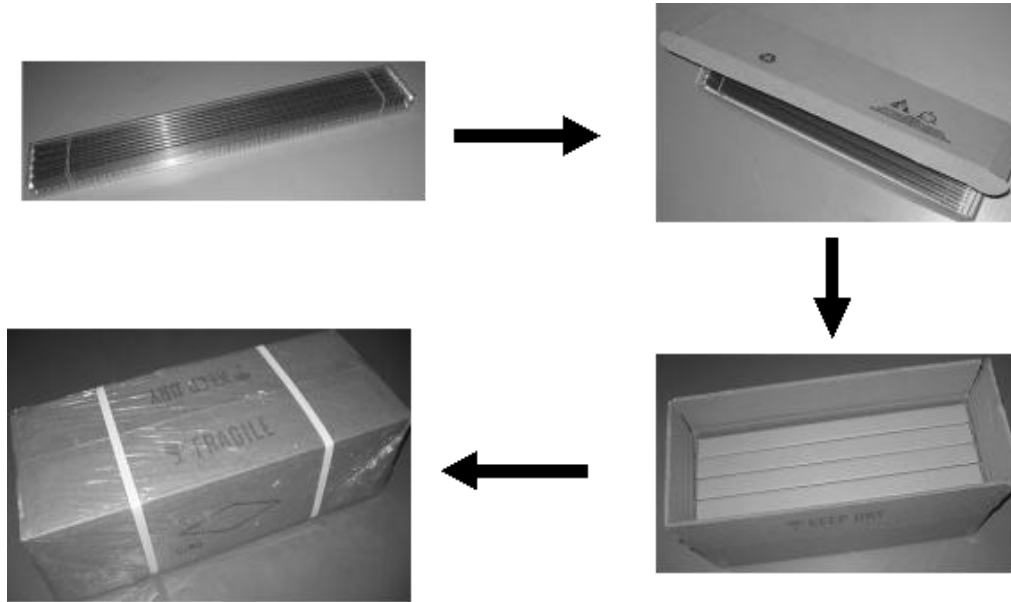
NOTICE

JSHD reserve the right to make modifications, enhancements, improvements, corrections or other changes without further notice to any product herein. JSHD does not assume any liability arising out of the application or use of any product described herein.

---

## TO- 220 Packing Information

---



Part Number	Quantity	Size (mm)
tube	50 pieces	530*33*7
inner box	1000 pieces	558*150*40
outer container	5000 pieces	570*235*170