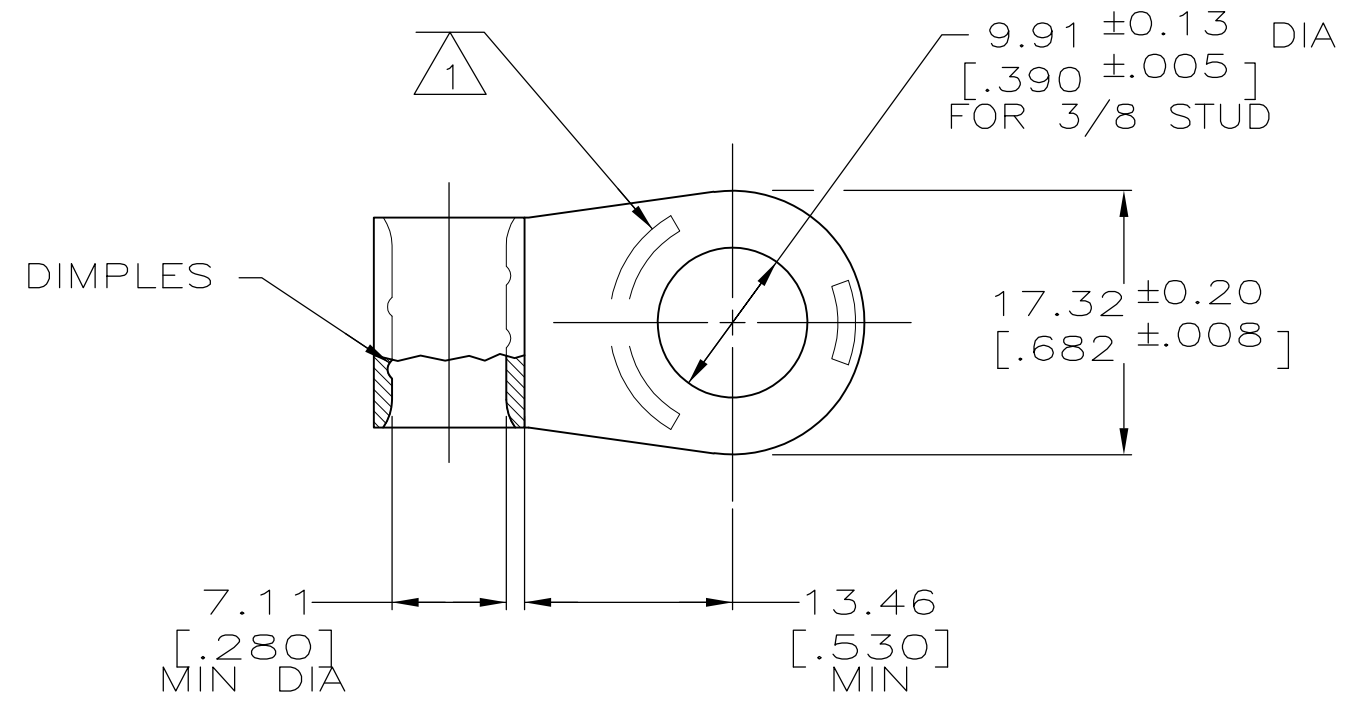


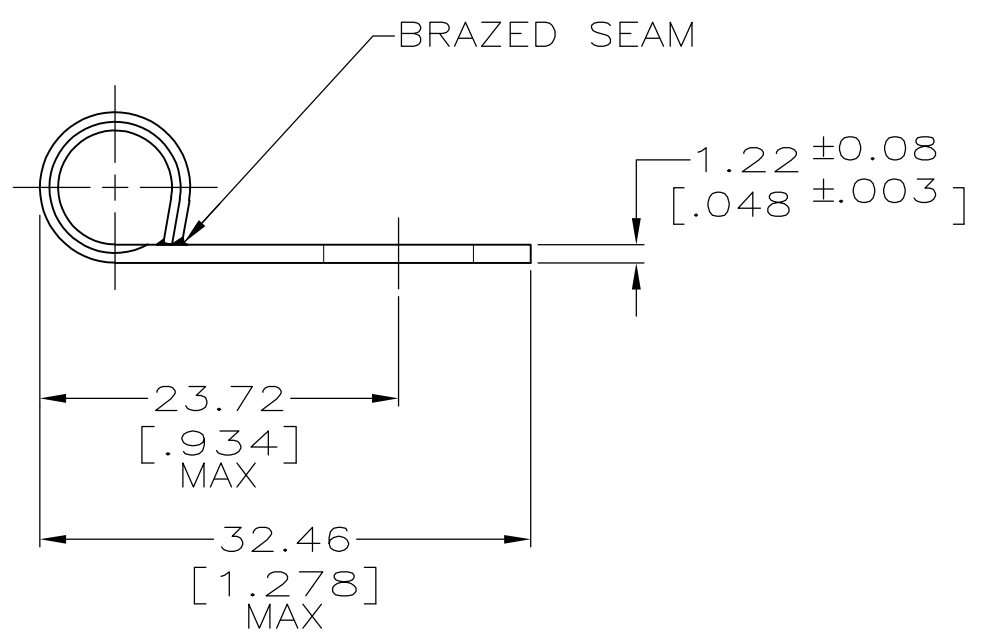
THIS DRAWING IS UNPUBLISHED. RELEASED FOR PUBLICATION
 © COPYRIGHT BY TYCO ELECTRONICS CORPORATION. ALL INTERNATIONAL RIGHTS RESERVED.

LOC	DIST	REVISIONS					
		P	LTR	DESCRIPTION	DATE	DWN	APVD
G	14						
			C1	REVISED PER ECO-10-020469	09OCT10	HMR	DR



AMP WIRE RANGE	E13288 Listed
4 AWG SOLID OR STRANDED	4 AWG STRANDED
LR7189 Certified	MILITARY P/N AND CLASS
4 AWG SOLID OR STRANDED	NOT APPLICABLE

STAMP AMP 4W* 40-50 APPROX AS SHOWN



321121
AMP
PART NUMBER

AMP INCORPORATED
CUSTOMER SERVICE SYSTEMS

FOR ADDITIONAL PRODUCT INFORMATION OR COPIES OF DRAWINGS AND TECHNICAL DOCUMENTS	PRODUCT INFORMATION CENTER 1-800-522-6752	RECOMMENDED OPERATING TEMPERATURE: 170° C MAX
FOR APPLICATION TOOLING INFORMATION	TOOLING ASSISTANCE CENTER 1-800-722-1111	VOLTAGE RATING: NOT APPLICABLE
FOR ORDER ENTRY	1-800-526-5142	WIRE CROSS SECTIONAL AREA RANGE: 16.8-26.7mm ² [33,100-52,600] CIR MILS SOLID OR STRANDED

THIS DRAWING IS A CONTROLLED DOCUMENT.	
DIMENSIONS: mm [INCHES]	TOLERANCES UNLESS OTHERWISE SPECIFIED:
	0 PLC ± - 1 PLC ± - 2 PLC ± 0.20[.008] 3 PLC ± - 4 PLC ± - ANGLES ± -
MATERIAL COPPER PER ASTM B-152 ANNEALED	FINISH TIN PLATE 0.00254[.000100] MIN THK PER ASTM B-545

DWN DK SCHRUM 15OCT97	Tyco Electronics Corporation Harrisburg, PA 17105-3608	NAME		321121		
CHK MJ SPICER 15OCT97		TERMINAL, RING TONGUE, FLAG, SOLISTRAND™		AMP PART NUMBER		
APVD JL MECKLEY 15OCT97		SIZE	CAGE CODE	DRAWING NO	RESTRICTED TO	
PRODUCT SPEC		A3	00779	G-321121	-	
APPLICATION SPEC	WEIGHT		CUSTOMER DRAWING		SCALE	
	-				2:1	
					SHEET	
					1 OF 1	
					REV	
					C1	