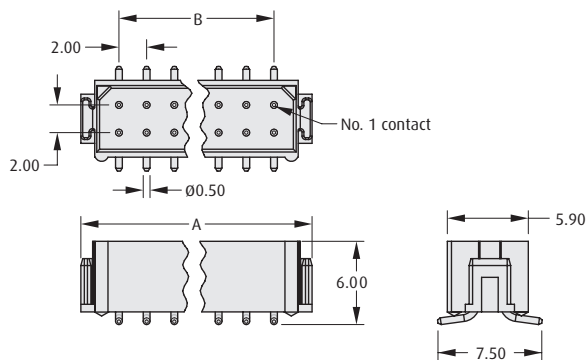


# Datamate Connectors

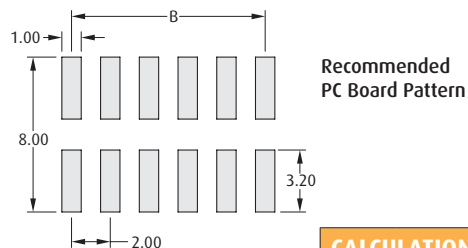
## Male Vertical Surface Mount

- ❖ Contact datamate@harwin.com for tape & reel options.
- ❖ Optional pick and place cap.
- ❖ Mates with female connectors on pages 18 to 20.
- ❖ Gull wing SMT tails simplify inspection process.

### UNLATCHED

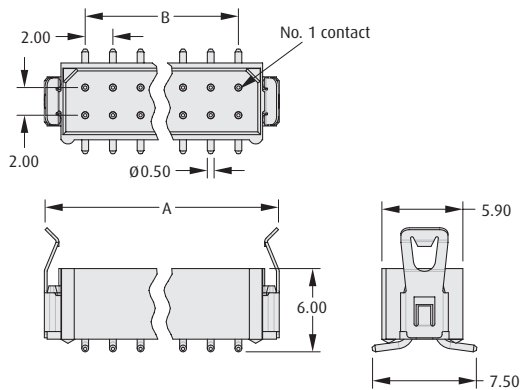


Friction lock or latch (when fitted) adds 0.5mm to overall length 'A'

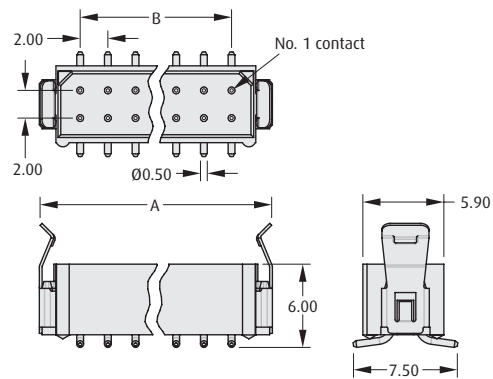


CALCULATION	
<b>A</b>	$B + 5.60$
<b>B</b>	Total No. of contacts - 2

### LATCHED



### WITH FRICTION LOCK



### HOW TO ORDER

**M80 - 82 X XX XX P**

**SERIES CODE**

TYPE	
6	Unlatched
7	Friction latched
8	Latched

**TOTAL NO. OF CONTACTS**  
04, 06, 08, 10, 12, 14, 16, 18, 20, 26, 34, 44

PICK AND PLACE CAP	
<b>BLANK</b>	No cap
<b>P</b>	Pick and place cap

FINISH	
22	Gold + Tin/Lead
42	Gold + Tin
45	Gold

www.harwin.com

All dimensions in mm.

