

## Features

### Application Controller

- Internal 12 MHz RC-Oscillator
- 16-bit MULAN MCU with 16kB ROM or OTP, 512 Byte RAM, 192 Byte EEPROM with ECC

### LIN Protocol Controller according to LIN 2.x and SAE J2602

- Baud rate up to 19.2 kBaud
- Frame processing
- Low interrupt load to the application

### LIN Transceiver according to LIN 2.x and SAE J2602

- Slew rate control for best EME behaviour
- High EMI immunity

### IO Configuration

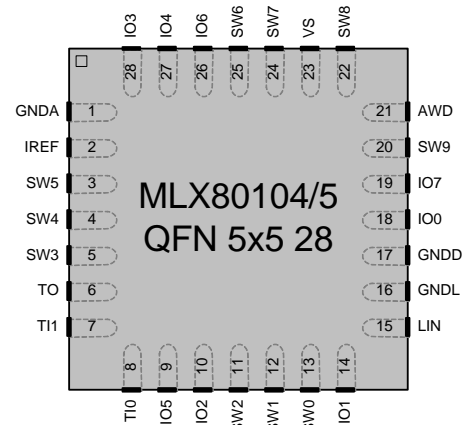
- 18 fully configurable high current/high voltage inputs/outputs (7mA/26.5V)
- Ground shift tolerant I/Os
- All IOs configurable pull up or pull down characteristics
- Eight PWM outputs (8-bit, 80Hz to 30kHz)
- Ten 10-bit ADC channels
- Eight Interrupt capable Inputs
- Configurable Wake up sources (LIN, IOs, ADC)
- Constant current output (2mA) for external low voltage loads via bipolar transistor
- IOs fully diagnosable
- Integrated window watchdog and additional independent analogue watchdog

### Voltage Regulator

- Low standby current consumption of typ 25µA in sleep mode
- Over-temperature shutdown, 45V load dump protected

### Other Features

- Automotive Temperature Range of -40°C to 125°C
- Small MLF 5x5 28pin package
- Ready-to-use firmware available (UniROM)



| Order Code              | Temp. Range  | Package    | Delivery | Remark              |
|-------------------------|--------------|------------|----------|---------------------|
| MLX80104 KLQ-DAG-000-RE | -40 - 125 °C | QFN 5x5    | Reel     | ROM, See 22 Marking |
| MLX80104 KLW-DAG-000-RE | -40 - 125 °C | QFN 5x5 WF | Reel     | ROM, See 22 Marking |
| MLX80105 KLQ-EAA-000-RE | -40 - 125 °C | QFN 5x5    | Reel     | OTP, See 22 Marking |
| MLX80105 KLW-EAA-000-RE | -40 - 125 °C | QFN 5x5 WF | Reel     | OTP, See 22 Marking |

## Short Description

This IC is a fully integrated LIN Slave for matrix switch or single switch Applications in automotive environment. It is suitable for bus systems according to LIN 2.x as well as SAE J2602.

The combination of physical layer LIN transceiver and LIN protocol controller along with easy to configure switch inputs and PWM outputs make it possible to develop in a short timeframe simple, but powerful and cheap switch slave nodes for LIN Bus systems.

## Contents

|           |   |           |
|-----------|---|-----------|
| <b>1.</b> | <b>General Overview</b> .....                                     | <b>7</b>  |
| 1.1       | Block Diagram.....  | 7         |
| <b>2.</b> | <b>Electrical Characteristics</b> .....                           | <b>8</b>  |
| 2.1       | Absolute Maximum Ratings.....                                     | 8         |
| 2.2       | Operating Conditions.....   | 9         |
| 2.3       | Static Characteristics.....                                       | 9         |
| 2.4       | Dynamic Characteristics.....                                      | 12        |
| <b>3.</b> | <b>MULAN – MULTiple CPU with Analog and Network support</b> ..... | <b>13</b> |
| 3.1       | General.....  | 13        |
| 3.2       | MULAN Block Diagram.....  | 13        |
| 3.3       | CPU Timing.....   | 14        |
| 3.4       | MLX16-8.....  | 14        |
| <b>4.</b> | <b>Address Space</b> .....  | <b>15</b> |
| 4.1       | Memory Mapping.....   | 15        |
| 4.2       | RAM Sharing.....  | 16        |
| 4.3       | ROM/OTP Sharing.....  | 16        |
| 4.4       | EEPROM.....   | 17        |
| 4.4.1.    | Static/dynamic Characteristics.....                               | 17        |
| 4.4.2.    | Write Timing.....   | 17        |
| 4.4.3.    | Read timing.....  | 17        |
| 4.4.4.    | Read.....   | 18        |
| 4.4.5.    | Write/Erase.....  | 19        |
| 4.5       | OTP (MLX80105 only).....  | 21        |
| <b>5.</b> | <b>IO Registers</b> .....   | <b>22</b> |
| 5.1       | General.....  | 22        |
| 5.2       | System Protected ports.....                                       | 22        |
| 5.3       | Standard ports.....   | 24        |
| <b>6.</b> | <b>IO Ports</b> .....   | <b>25</b> |
| 6.1       | Common Features of Pin SWx and IOx.....                           | 25        |
| 6.1.1.    | Pin structure.....  | 26        |
| 6.1.2.    | Configuration Register Central Current Source.....                | 27        |
| 6.1.3.    | Configuration Register SWx.....                                   | 28        |
| 6.1.4.    | Configuration Register IOx.....                                   | 29        |
| 6.1.5.    | Switch current generation.....                                    | 30        |
| 6.1.6.    | The switch detection thresholds.....                              | 31        |
| 6.1.7.    | Switch diagnosis.....   | 33        |
| 6.1.8.    | Switch Configuration in sleep mode.....                           | 36        |
| 6.2       | Additional Operation Modes SWx Ports.....                         | 37        |
| 6.3       | Additional Operation Modes IOx Ports.....                         | 40        |
| 6.4       | The IREF pin.....   | 42        |

|  |           |
|--|-----------|
| <b>7. Clock System .....</b>                   | <b>43</b> |
| 7.1 RC-Oscillator .....                        | 43        |
| 7.2 Crystal Oscillator .....                   | 43        |
| <b>8. Watchdog System.....</b>                 | <b>44</b> |
| 8.1 Analogue Watchdog .....                    | 44        |
| 8.1.1. Using the analogue WDOG .....           | 45        |
| 8.1.2. Timing definition .....                 | 45        |
| 8.2 Digital Window Watchdog.....               | 46        |
| 8.3 Watchdog Register .....                    | 47        |
| <b>9. Analogue to digital converter .....</b>  | <b>48</b> |
| 9.1 General Description .....                  | 48        |
| 9.2 Input divider.....                         | 49        |
| 9.3 Accuracy of the reference .....            | 49        |
| 9.4 ADC Register .....                         | 50        |
| <b>10. Interrupts .....</b>                    | <b>51</b> |
| 10.1 Interrupt vectors .....                   | 52        |
| 10.2 Priority port.....                        | 52        |
| 10.3 Interrupt mask and pending ports .....    | 52        |
| 10.4 High level system interrupts .....        | 53        |
| 10.4.1. Reset interrupt and watchdogs.....     | 53        |
| 10.4.2. Stack error.....                       | 53        |
| 10.4.3. Exception error .....                  | 54        |
| 10.4.4. Protection error .....                 | 54        |
| 10.4.5. Invalid address .....                  | 54        |
| 10.4.6. Program error .....                    | 54        |
| 10.5 Debugger interrupt .....                  | 55        |
| 10.6 Pin change Interrupt .....                | 55        |
| 10.7 External Watchdog interrupt .....         | 55        |
| 10.8 Software interrupt .....                  | 55        |
| <b>11. PWM Unit.....</b>                       | <b>56</b> |
| 11.1 General .....                             | 56        |
| 11.2 Block Diagram.....                        | 56        |
| 11.3 PWM frequency calculation.....            | 57        |
| 11.4 PWM Control Register .....                | 57        |
| 11.5 Available PWM Frequencies .....           | 59        |
| <b>12. Timer.....</b>                          | <b>60</b> |
| 12.1 Timer Calculation .....                   | 60        |
| <b>13. LIN Interface.....</b>                  | <b>61</b> |
| 13.1 The Concept .....                         | 61        |
| 13.2 LIN Physical Layer .....                  | 62        |
| <b>14. Sleep Mode and Wake up System .....</b> | <b>65</b> |

|            |  |           |
|------------|--|-----------|
| 14.1       | Entering Sleep Mode by API.....                                | 65        |
| 14.2       | Wake Up System.....  | 65        |
| 14.2.1.    | LIN Bus .....  | 65        |
| 14.2.2.    | Local Wake-up .....  | 65        |
| 14.2.3.    | Internal Wake-up .....   | 65        |
| <b>15.</b> | <b>Thermal Shutdown.....</b>                                   | <b>66</b> |
| <b>16.</b> | <b>System behaviour.....</b>                                   | <b>67</b> |
| 16.1       | Reset behaviour.....   | 67        |
| 16.2       | Initialising the System.....                                   | 67        |
| <b>17.</b> | <b>ROM Patches.....</b>  | <b>69</b> |
| 17.1       | Principle of operation .....                                   | 69        |
| 17.2       | Patch start address .....                                      | 70        |
| 17.3       | Patch jump instruction.....                                    | 70        |
| <b>18.</b> | <b>Application Hints.....</b>                                  | <b>72</b> |
| 18.1       | Application Examples.....                                      | 72        |
| 18.1.1.    | Switch Matrix Hints.....                                       | 73        |
| <b>19.</b> | <b>Software Development .....</b>                              | <b>75</b> |
| 19.1       | UniROM (80104 only) .....                                      | 75        |
| <b>20.</b> | <b>Programming Interface.....</b>                              | <b>77</b> |
| 20.1       | Characteristics for the interface pins.....                    | 78        |
| 20.2       | Melexis Mini E-Mlx emulator.....                               | 79        |
| 20.3       | Melexis Mini E-Mlx emulator and Melexis interface adapter..... | 81        |
| 20.4       | Melexis Programmer PTC-04 .....                                | 83        |
| 20.4.1.    | PTC04 DB 15 Female Connector .....                             | 84        |
| 20.5       | Third party programmer.....                                    | 86        |
| <b>21.</b> | <b>Operating under Disturbance .....</b>                       | <b>87</b> |
| 21.1       | Loss of battery .....  | 87        |
| 21.2       | Loss of Ground .....   | 87        |
| 21.3       | Short circuit to battery.....                                  | 87        |
| 21.4       | Short circuit to ground.....                                   | 87        |
| 21.5       | Thermal overload.....  | 87        |
| 21.6       | Undervoltage Vs .....  | 87        |
| <b>22.</b> | <b>Marking/Order Code .....</b>                                | <b>88</b> |
| 22.1       | Marking MLX80104 .....   | 88        |
| 22.2       | Order Code MLX80104.....                                       | 88        |
| 22.3       | Marking MLX80105 .....   | 89        |
| 22.4       | Order Code MLX80105.....                                       | 89        |
| <b>23.</b> | <b>Pin Description .....</b>                                   | <b>90</b> |
| <b>24.</b> | <b>Mechanical Specification.....</b>                           | <b>92</b> |

|   |            |
|---|------------|
| <b>25. Land Pattern Recommendations .....</b>   | <b>93</b>  |
| <b>26. ESD/EMC Remarks.....</b>   | <b>94</b>  |
| 26.1 ESD/EMC Recommendations for the MLX80104/5.....  | 94         |
| 26.2 Automotive Qualification Test Pulses .....   | 94         |
| 26.3 EMC Test pulse definition .....  | 95         |
| <b>27. References .....</b>   | <b>96</b>  |
| <b>28. List of Abbreviations.....</b>   | <b>96</b>  |
| <b>29. Revision History .....</b>   | <b>97</b>  |
| <b>30. Standard information regarding manufacturability of Melexis products with different soldering processes ....</b> | <b>99</b>  |
| <b>31. Disclaimer .....</b>   | <b>100</b> |

## List of Figures

|   |    |
|---|----|
| FIGURE 1 - BLOCK DIAGRAM.....   | 7  |
| FIGURE 2 - BLOCK DIAGRAM OF MULAN CPU .....   | 13 |
| FIGURE 3 - CPU INTERLEAVING .....   | 14 |
| FIGURE 4 - EEPROM READ .....  | 18 |
| FIGURE 5 - COMMON PIN STRUCTURE SWx AND IOx.....  | 26 |
| FIGURE 6 - VOLTAGE DEPENDENCY OF THE SWITCH CURRENT.....  | 30 |
| FIGURE 7 - VOLTAGE DROPS EXTERNAL LS SWITCH .....   | 31 |
| FIGURE 8 - VOLTAGE DROPS SWITCH MATRIX.....   | 31 |
| FIGURE 9 - VOLTAGE DROPS EXTERNAL HS SWITCH .....   | 32 |
| FIGURE 10 - WAKE UP DETECTION FOR SWITCH INPUTS .....   | 37 |
| FIGURE 11 - STRUCTURE OF SWx PINS .....   | 38 |
| FIGURE 12 - STRUCTURE OF IOx PINS.....  | 40 |
| FIGURE 13 - SAMPLE CIRCUITRY FOR IREF PIN .....   | 42 |
| FIGURE 14 - ANALOGUE WATCHDOG BEHAVIOUR .....   | 44 |
| FIGURE 15 - ADC COMPONENTS.....   | 48 |
| FIGURE 16 - PWM UNIT.....   | 56 |
| FIGURE 17 - BLOCK DIAGRAM OF TIMER.....   | 60 |
| FIGURE 18 - LIN OSI-REFERENCE MODEL.....  | 61 |
| FIGURE 19 - RECEIVER DEBOUNCING & PROPAGATION DELAY .....   | 62 |
| FIGURE 20 - RESET BEHAVIOUR.....  | 67 |
| FIGURE 21 - PATCH HARDWARE .....  | 69 |
| FIGURE 22 - PATCH CODE IN EEPROM .....  | 70 |
| FIGURE 23 - PATCH CODE IN RAM .....   | 70 |
| FIGURE 24 - APPLICATION SCHEMATIC SAMPLE.....   | 73 |
| FIGURE 25 - READING THE SWITCH MATRIX .....   | 74 |
| FIGURE 26 - PIN OUT MLX80104/05 – TOP VIEW .....  | 77 |
| FIGURE 27 - MLX80104/05 PROGRAMMING INTERFACE WITH THE MELEXIS MINI E-MLX EMULATOR.....                                   | 80 |
| FIGURE 28 - MELEXIS MLX80104/05 PROGRAMMING INTERFACE ADAPTER.....  | 81 |
| FIGURE 29 - MLX80104/05 PROGRAMMING INTERFACE WITH THE MELEXIS MINI E-MLX EMULATOR AND MELEXIS<br>INTERFACE ADAPTER ..... | 82 |
| FIGURE 30 - CONNECTION DIAGRAM BETWEEN PTC-04 AND MLX80104/5.....   | 83 |
| FIGURE 31 - MLX80104/05 PROGRAMMING INTERFACE WITH THE MELEXIS PTC-04.....  | 85 |
| FIGURE 32 - PIN OUT MLX80104/5 – TOP VIEW .....   | 90 |
| FIGURE 33 - QFN28 DRAWING.....  | 92 |

## List of Tables

|  |    |
|--|----|
| TABLE 1 - ABSOLUTE MAXIMUM RATINGS.....  | 8  |
| TABLE 2 - OPERATING CONDITIONS .....   | 9  |
| TABLE 3 - STATIC CHARACTERISTICS .....   | 11 |
| TABLE 4 - DYNAMIC CHARACTERISTICS.....   | 12 |
| TABLE 5 - UNIFIED MEMORY MAPPING .....   | 15 |
| TABLE 6 - MLX16 PRE-DEFINED PAGES .....  | 16 |
| TABLE 7 - SYSTEM PROTECTED PORTS OVERVIEW.....   | 23 |
| TABLE 8 - STANDARD PORTS OVERVIEW .....  | 24 |
| TABLE 9 - LOGIC TABLE FOR DETECTION OF LS INPUT SWITCHES.....  | 33 |
| TABLE 10 - LOGIC TABLE FOR DIAGNOSIS OF LS INPUT SWITCHES SHORT VS. BATTERY .....  | 33 |
| TABLE 11 - LOGIC TABLE FOR DIAGNOSIS OF ALL INPUT SWITCHES SHORT VS. OTHER SWITCHES BY I1.....   | 33 |
| TABLE 12 - LOGIC TABLE FOR DIAGNOSIS OF ALL INPUT SWITCHES SHORT VS. OTHER SWITCHES BY I2.....   | 34 |
| TABLE 13 - LOGIC TABLE FOR BREAK DETECTION OF LS INPUT SWITCHES .....  | 34 |
| TABLE 14 - LOGIC TABLE FOR DETECTION OF HS INPUT SWITCHES .....  | 34 |
| TABLE 15 - LOGIC TABLE FOR DIAGNOSIS OF HS INPUT SWITCHES SHORT VS. GND.....   | 34 |
| TABLE 16 - LOGIC TABLE FOR BREAK DETECTION OF HS INPUT SWITCHES .....  | 35 |
| TABLE 17 - SLEEP MODE CONFIGURATION OVERVIEW (SWITCH DETECTION).....   | 37 |
| TABLE 18 - ACTIVE MODE CONFIGURATION OVERVIEW SWX PINS .....   | 39 |
| TABLE 19 - ACTIVE MODE CONFIGURATION OVERVIEW IOX PINS.....  | 41 |
| TABLE 20 - ADC INPUT DIVIDER .....   | 49 |
| TABLE 21 - INTERRUPT INPUTS .....  | 51 |
| TABLE 22 - INTERRUPT VECTORS.....  | 52 |
| TABLE 23 - PRIO PORT ENCODING .....  | 52 |
| TABLE 24 - CONFIGURABLE PWM FREQUENCIES.....   | 59 |
| TABLE 25 - DUTY CYCLE MEASUREMENT AND CALCULATION IN ACCORDANCE TO LIN PHYSICAL LAYER SPECIFICATION<br>2.X FOR BAUD RATES UP TO 20KBPS .....         | 63 |
| TABLE 26 - DUTY CYCLE MEASUREMENT AND CALCULATION IN ACCORDANCE TO LIN PHYSICAL LAYER SPECIFICATION<br>2.X FOR BAUD RATES OF 10.4KBPS OR BELOW ..... | 64 |
| TABLE 27 - PIN DESCRIPTION 9 PIN MINI CIRCULAR CONNECTOR.....  | 79 |
| TABLE 28 - PIN DESCRIPTION 10 PIN HEADER CONNECTOR .....   | 81 |
| TABLE 29 - CONNECTIONS FOR THIRD PARTY PROGRAMMER.....   | 86 |

## 1. General Overview

### 1.1 Block Diagram

Figure 1 shows the principle block diagram of MLX80104/5.

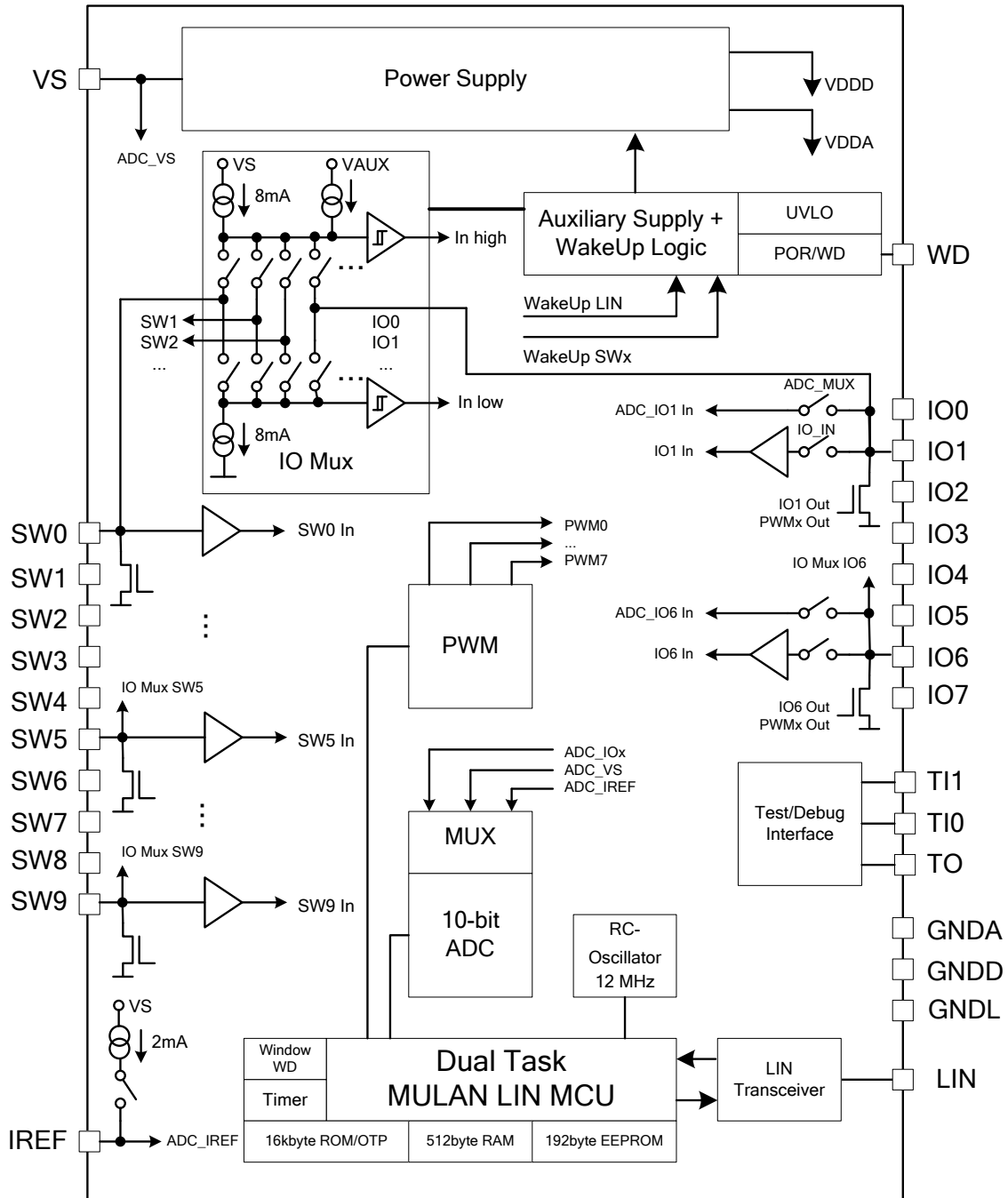


Figure 1 - Block Diagram

## 2. Electrical Characteristics

All voltages are referenced to ground (GND). Positive currents flow into the IC.

### 2.1 Absolute Maximum Ratings

In accordance with the Maximum Rating System (IEC 60134). The absolute maximum ratings given in the table below are limiting values that do not lead to a permanent damage of the device but exceeding any of these limits may do so. Long term exposure to limiting values may affect the reliability of the device.

| Parameter  | Symbol                | Condition   | Min        | Max  | Unit |
|--|-----------------------|---|------------|------|------|
| Battery Supply Voltage                                 | V <sub>S</sub>        |   | -0.3       | 40   | V    |
| Short term supply voltage                              | V <sub>S_id</sub>     | ISO 7637/2 pulse 5; t < 400 ms                          | -0.3       | 40   | V    |
| Transients at supply voltage                           | V <sub>S_tr1</sub>    | ISO 7637/2 pulse 1 <sup>[1]</sup>                       | -100       |      | V    |
| Transients at supply voltage                           | V <sub>S_tr2</sub>    | ISO 7637/2 pulses 2 <sup>[1]</sup>                      |            | +50  | V    |
| Transients at high voltage signal pins                 | V <sub>LINx_tr1</sub> | ISO 7637/3 pulse 1 <sup>[2]</sup>                       | -100       |      | V    |
| Transients at high voltage signal pins                 | V <sub>LINx_tr2</sub> | ISO 7637/3 pulses 2 <sup>[2]</sup>                      |            | +50  | V    |
| Transient at high voltage signal and power supply pins | V <sub>HV_tr3</sub>   | ISO 7637/2 pulses 3A, 3B <sup>[3]</sup>                 | -150       | +100 | V    |
| DC voltage on LIN, SWx, IOx pins                       | V <sub>LIN_DC</sub>   | T<500ms, V <sub>S</sub> = 18V<br>V <sub>S</sub> = 0V    | -22<br>-40 | 40   | V    |
| DC voltage on IREF, AWD pin                            | V <sub>logic_DC</sub> |   | -0.3       | 7    | V    |
| ESD capability   | V <sub>ESDIEC</sub>   | IEC 61000-4-2<br>Pin LIN, VS to GND                     | -6         | 6    | kV   |
|  | V <sub>ESDHBM</sub>   | HBM (AEC-Q100-002) <sup>[4]</sup><br>Pin LIN, VS to GND | -8         | 8    | kV   |
|  |                       | Other pins  | -2         | 2    | kV   |
| V <sub>ESDCDM</sub>                                    | CDM (AEC-Q100-011)    | -750  | 750        | V    |      |
| Maximum latch – up free current at any pin             | I <sub>LATCH</sub>    |   | -500       | 500  | mA   |
| Maximum power dissipation                              | P <sub>tot</sub>      | T <sub>amb</sub> = +125 °C                              |            | 0.78 | W    |
|  |                       | T <sub>amb</sub> = + 85 °C                              |            | 2    |      |
| Thermal impedance                                      | Θ <sub>JA</sub>       | JEDEC 1s2p board, none air flow                         |            | 32   | K/W  |
| Storage temperature                                    | T <sub>stg</sub>      |   | -55        | +150 | °C   |
| Junction temperature                                   | T <sub>vj</sub>       |   | -40        | +150 | °C   |

Table 1 - Absolute Maximum Ratings

- [1] ISO 7637/2 test pulses are applied to VS via a reverse polarity diode and >2uF blocking capacitor.  
 [2] ISO 7637/3 test pulses are applied to LIN via a coupling capacitance of 100nF.  
 [3] ISO 7637/3 test pulses are applied to LIN via a coupling capacitance of 1nF.  
 ISO 7637/2 test pulses are applied to VS via a reverse polarity diode and >2uF blocking capacitor.  
 [4] Equivalent to discharging a 100pF capacitor through a 1.5Kohm resistor conforms to AEC-Q100-002



## 2.2 Operating Conditions

| Parameter                             | Symbol     | Min | Max  | Unit |
|---------------------------------------|------------|-----|------|------|
| Battery supply voltage [1]            | $V_S$      | 5   | 18   | V    |
| Short time battery supply voltage [2] | $V_{S\_S}$ | 18  | 27   | V    |
| Operating ambient temperature         | $T_{amb}$  | -40 | +125 | °C   |

Table 2 - Operating Conditions

[1]  $V_S$  is the IC supply voltage including voltage drop of reverse battery protection diode,  $V_{DROP} = 0.4...1V$ ,  $V_{BAT\_ECU} = 6...27V$ .

[2] Short time:  $t < 1$  min

## 2.3 Static Characteristics

( $V_S = 5$  to  $27V$ ,  $T_A = -40$  to  $+125^\circ C$ , unless otherwise specified)

| Parameter      | Symbol  | Condition            | Min   | Typ           | Max         | Unit          |           |
|----------------|---|----------------------|---|---------------|-------------|---------------|-----------|
| <b>Pin VS</b>  |   |                      |   |               |             |               |           |
| 3.00           | Supply current, active without switch current | $I_S$                |   | 6             | 20          | mA            |           |
| 3.01           | Undervoltage lockout                          | $V_{S\_UV}$          |   |               | 5           | V             |           |
| 3.02           | Supply current, sleep mode                    | $I_{Ssl\_typ}$       | $V_S = 12V$   | 25            | 50          | $\mu A$       |           |
| 3.03           | Supply current, sleep mode                    | $I_{Ssl}$            | $V_S = 18V$   |               | 90          | $\mu A$       |           |
| <b>PIN LIN</b> |   |                      |   |               |             |               |           |
| 3.10           | Short circuit bus current                     | $I_{BUS\_LIM}$       | $V_{LIN} = V_S = 18V$ , $TxD = 0$   | 40            | 120         | 200           | mA        |
| 3.11           | Pull up resistor LIN                          | $R_{SLAVE}$          | $V_{LIN} = 0$ , $TxD$ open  | 20            | 30          | 60            | $k\Omega$ |
| 3.12           | Pull up current LIN, Sleep mode               | $I_{BUS\_PU\_Sleep}$ | $V_{LIN} = 0$ , $V_S = 12V$ , sleep mode                                  | -100          | -75         |               | $\mu A$   |
| 3.13           | LIN reverse current, recessive                | $I_{BUS\_PAS\_rec}$  | $V_{LIN} > V_S$ , $5V < V_{LIN} < 18V$ ,<br>$5V < V_S < 18V$ , $TxD$ open |               |             | 20            | $\mu A$   |
|                | Receiver input leakage current                | $I_{BUS\_PAS\_dom}$  | $V_S = 12V$ , $V_{LIN} = 0$   | -1            |             |               | mA        |
| 3.14           | LIN reverse current loss of battery           | $I_{BUS\_NO\_BAT}$   | $V_S = 0V$ , $0V < V_{LIN} < 18V$   |               |             | 23            | $\mu A$   |
| 3.15           | LIN current during loss of Ground [3]         | $I_{BUS\_NO\_GND}$   | $V_S = V_{GND} = 12V$ , $0V < V_{LIN} < 18V$                              | -100          |             | 20            | $\mu A$   |
| 3.16           | Transmitter dominant voltage                  | $V_{ol\_LIN}$        | load=500 $\Omega$ , $TxD=0$   |               |             | 0.2           | Vs        |
| 3.17           | Recessive output voltage                      | $V_{oh\_LIN}$        | $TxD$ open  | 0.8           |             | 1             | Vs        |
| 3.18           | Lin input capacitance [1]                     | $C_{LIN}$            | Pulse response via 1k $\Omega$ ,<br>$V_{Pulse} = 12V$ , $V_S = 14V$       |               | 25          | 35            | pF        |
| 3.19           | Voltage drop serial diode [1]                 | $C_{SerDiode}$       |   | 0.4           | 0.7         | 1.0           | V         |
| 3.30           | Receiver dominant voltage                     | $V_{BUSdom}$         |   |               |             | $0.4 * V_S$   | V         |
| 3.31           | Receiver recessive voltage                    | $V_{BUSrec}$         |   | $0.6 * V_S$   |             |               | V         |
| 3.32           | Centre point of receiver threshold            | $V_{BUS\_cnt}$       | $V_{BUS\_cnt} = (V_{th\_dom} + V_{th\_rec}) / 2$                          | $0.475 * V_S$ | $0.5 * V_S$ | $0.525 * V_S$ | V         |
| 3.33           | Receiver hysteresis                           | $V_{HYS}$            | $V_{HYS} = (V_{th\_dom} - V_{th\_rec})$                                   |               |             | $0.175 * V_S$ | V         |

| Parameter | Symbol | Condition | Min | Typ | Max | Unit |
|-----------|--------|-----------|-----|-----|-----|------|
|-----------|--------|-----------|-----|-----|-----|------|

| PIN SWx, IOx in normal mode |  |                   |   |          |     |                  |
|-----------------------------|--|-------------------|---|----------|-----|------------------|
| 3.40                        | Central current source on resistance pull up configuration   | $R_{ih\_SWx}$     | Pull up mode, voltage shift max 0.1*Vs                |          | 1   | $K\Omega$        |
| 3.41                        | Central current source on resistance pull down configuration | $R_{il\_SWx}$     | Pull down mode, voltage shift max 0.1*Vs              |          | 1   | $K\Omega$        |
| 3.42                        | High level input voltage                                     | $V_{ih\_SWx}$     | Input mode  | 1.4      |     | V                |
| 3.43                        | Low level input voltage                                      | $V_{il\_SWx}$     | Input mode  |          | 0.9 | V                |
| 3.44                        | On resistance SWx  | $R_{ON\_IO}$      | Low side mode, $V_{SWx}=0.5V$                         |          | 50  | $\Omega$         |
| 3.45                        | Source current central current source                        | $I_{ih\_SWx}$     | $V_s=5V$<br>$V_s=13V (T_A = 25^\circ C)$<br>$V_s=18V$ | 1.5<br>7 |     | 12<br>mA         |
| 3.46                        | Sink current central current source                          | $I_{il\_SWx}$     | $V_s=5V$<br>$V_s=13V (T_A = 25^\circ C)$<br>$V_s=18V$ | 1.5<br>7 |     | 12<br>mA         |
| 3.47                        | Leakage current low level input                              | $I_{leakl\_SWx}$  | $V_{il\_SWx} = 0, V_s = 18V$                          | -10      |     | 10<br>$\mu A$    |
| 3.48                        | Leakage current high level input                             | $I_{leakh\_SWx}$  | $V_{ih\_SWx} = 18V, V_s = 18V$                        | -10      |     | 10<br>$\mu A$    |
| PIN IREF                    |  |                   |   |          |     |                  |
| 3.60                        | Input voltage range  | $V_{IREF}$        |   | 0        |     | $V_s$<br>V       |
| 3.61                        | Output current   | $I_{IREF}$        |   | 1.3      | 2   | 3.1<br>mA        |
| 3.62                        | Leakage current low level input                              | $I_{leakl\_IREF}$ | $V_{IREF} = 0, V_s = 18V$                             | -10      |     | 10<br>$\mu A$    |
| 3.63                        | Leakage current high level input                             | $I_{leakh\_IREF}$ | $V_{IREF} = 3.4V, V_s = 18V$                          | -10      |     | 10<br>$\mu A$    |
| PIN AWD                     |  |                   |   |          |     |                  |
| 3.70                        | Input voltage range  | $V_{AWD}$         |   | 0        |     | 3.4<br>V         |
| 3.71                        | Pull down current  | $I_{PD\_AWD}$     |   |          | 2   | $\mu A$          |
| 3.72                        | Pull up current  | $I_{PU\_AWD}$     |   |          | 20  | $\mu A$          |
| 3.73                        | RESET threshold  | $V_{AWD\_IRQ}$    |   |          | 0.5 | V                |
| 3.74                        | Interrupt threshold  | $V_{AWD\_Int}$    |   |          | 1.5 | V                |
| 3.75                        | Down threshold   | $V_{AWD\_d}$      |   |          | 2.5 | V                |
| Wakeup capability SWx,IOx   |  |                   |   |          |     |                  |
| 3.80                        | Wake up pull up resistance SWx, IOx [4]                      | $R_{ih\_WU\_SWx}$ | Pull up mode, voltage shift max 0.1Vs                 | 500      |     | 1000<br>$\Omega$ |
| 3.81                        | Wake up pull down resistance SWx, IOx [4]                    | $R_{il\_WU\_SWx}$ | Pull down mode, voltage shift max 0.1Vs               | 500      |     | 1000<br>$\Omega$ |
| 3.82                        | High level input voltage                                     | $V_{ih\_WU\_SWx}$ | Input mode  | 1.4      |     | V                |
| 3.83                        | Low level input voltage                                      | $V_{il\_WU\_SWx}$ | Input mode  |          | 0.9 | V                |
| 3.84                        | On resistance in sleep mode SWx/IOx                          | $R_{ON\_WU\_IO}$  | Low side mode (S3x), $V_{SWx/IOx}=0.5V$               |          | 50  | 100<br>$\Omega$  |

| Parameter                 | Symbol                          | Condition | Min | Typ | Max | Unit |
|---------------------------|---------------------------------|-----------|-----|-----|-----|------|
| <b>Thermal Protection</b> |                                 |           |     |     |     |      |
| 3.90                      | Thermal shutdown <sup>[1]</sup> | $T_{sd}$  | 155 |     | 180 | °C   |
| 3.91                      | Thermal recovery <sup>[1]</sup> | $T_{rec}$ | 126 |     | 150 | °C   |

| <b>ADC Resolution (INL)</b>        |               |                  |                        |     |      |           |
|------------------------------------|---------------|------------------|------------------------|-----|------|-----------|
| 3.67                               | ADC accuracy  | $V_{mess\_diff}$ | One time measurement   |     | 5    | LSB       |
| 3.68                               |               |                  | Three time measurement |     | 2    | LSB       |
| <b>Switches</b>                    |               |                  |                        |     |      |           |
| On - resistance <sup>[2] [5]</sup> | $R_{SW\_on}$  | carbon on gold   | 0                      | 150 | 1000 | $\Omega$  |
| Off - resistance <sup>[2]</sup>    | $R_{SW\_off}$ | Open switch      | 500                    |     |      | $K\Omega$ |

*Table 3 - Static Characteristics*

- [1] Parameter not tested in production, guaranteed by qualification.  
 [2] Switch parameter not determined by the IC, values are calculation basis for all currents and thresholds  
 [3] The current is determined by the master pull-up. To prevent discharging of the battery, the master pull up will be disconnected under Loss of Ground conditions  
 [4] Resistance is valid for the sum of switch resistance and the ESD protection resistance  
 [5] A 500Ohm series resistor is required in case of the remote switch outside of the module and the switch is in this case directly supplied from the battery

## 2.4 Dynamic Characteristics

( $V_S = 7$  to  $27V$ ,  $T_A = -40$  to  $+125^\circ C$ , unless otherwise specified)

| Parameter          | Symbol                                  | Condition       | Min  | Typ   | Max   | Unit          |
|--------------------|---|-----------------|--|-------|-------|---------------|
| <b>PIN LIN</b>     |   |                 |  |       |       |               |
| 4.01               | Propagation delay receiver [1]          | $t_{rx\_pdf}$   | $C_{RxD} = 25pF$ , rising and Falling edge   |       | 6     | $\mu s$       |
| 4.02               | Propagation delay receiver symmetry [2] | $t_{rx\_sym}$   | $t_{rx\_pdf} - t_{rx\_pdr}$  | -2    | 2     | $\mu s$       |
| 4.03               | Receiver debounce time [2]              | $t_{rx\_deb}$   | LIN rising and falling edge  | 0.5   | 4     | $\mu s$       |
| 4.04               | LIN duty cycle 1 [3,4]                  | D1              | 20kbps operation, normal mode<br>$t_{Bit} = 50\mu s$ , $D1 = t_{LIN\_rec(min)} / (2 * t_{Bit})$  | 0.396 |       |               |
| 4.05               | LIN duty cycle 2 [3,4]                  | D2              | 20kbps operation, normal mode<br>$t_{Bit} = 50\mu s$ , $D2 = t_{LIN\_rec(max)} / (2 * t_{Bit})$  |       | 0.581 |               |
| 4.06               | LIN duty cycle 3 [3,4]                  | D3              | 10.4kbps operation, low speed,<br>$t_{Bit} = 96\mu s$ , $D3 = t_{LIN\_rec(min)} / (2 * t_{Bit})$ | 0.417 |       |               |
| 4.07               | LIN duty cycle 4 [3,4]                  | D4              | 10.4kbps operation, low speed,<br>$t_{Bit} = 96\mu s$ , $D3 = t_{LIN\_rec(max)} / (2 * t_{Bit})$ |       | 0.590 |               |
| 4.08               | $t_{rec(max)} - t_{dom(min)}$           | $\Delta t3$     | 10.4kbps operation, low speed mode   |       | 15.9  | $\mu s$       |
| 4.09               | $t_{rec(min)} - t_{dom(max)}$           | $\Delta t4$     | 10.4kbps operation, low speed mode   |       | 17.28 | $\mu s$       |
| 4.12               | Wake up filter time                     | $t_{wu}$        | Sleep mode, LIN rising and falling edge  | 15    | 150   | $\mu s$       |
| <b>PIN SWx/IOx</b> |   |                 |  |       |       |               |
| 4.21               | Local wake-up filter time               | $t_{wu\_local}$ | Sleep mode rising and falling edge   | 10    | 25    | 50<br>$\mu s$ |
| <b>ADCx</b>        |   |                 |  |       |       |               |
| 4.22               | Conversion time ADC                     | $t_{conv}$      |  | 12    |       | $\mu s$       |
| <b>PIN IOx</b>     |   |                 |  |       |       |               |
| 4.24               | Slew Rate IOx[5]                        | $t_{Slew\_IOx}$ | Low side mode, $V_S = 6V$ , $R_{pullup} = 2.5k\Omega$ , $C_{load} = 20pF$                        |       | 2.5   | $\mu s$       |
| <b>General</b>     |   |                 |  |       |       |               |
|                    | Device start up time [6] [7]            | $t_{SUP}$       | After POR, UVR, Wakeup   | 3     | 5     | 10<br>ms      |

Table 4 - Dynamic Characteristics

- [1] This parameter is tested by applying a square wave signal to the LIN. The minimum slew rate for the LIN rising and falling edges is  $50V/\mu s$
- [2] See figure – Receiver debounce and propagation delay
- [3] See figure – Duty cycle measurement and calculation
- [4] Standard loads for duty cycle measurements are  $1K\Omega/1nF$ ,  $660\Omega/6.8nF$ ,  $500\Omega/10nF$ , internal termination disabled
- [5] Only information
- [6] Only characterization, guaranteed by design
- [7] This time contains the activation time of hardware components and the software initialisation time. To get first valid switch status information, the programmed switch debouncing time must be added.

### 3. MULAN – MULTiple CPU with Analog and Network support

#### 3.1 General

The MULAN CPU is a dual task implementation of the Melexis LIN Controller (MLX4) and the MLX16-8 CPU core. It is possible to run two tasks simultaneously with this architecture, one task for communication and the other task is free for the customer application. The communication between both tasks is done via API commands. The complete firmware including API for the LIN controller is supported by Melexis. The Customer only needs to program the application software on the MLX16-8 CPU. For a detailed description of this CPU please see the MLX16-8 data book.

#### 3.2 MULAN Block Diagram

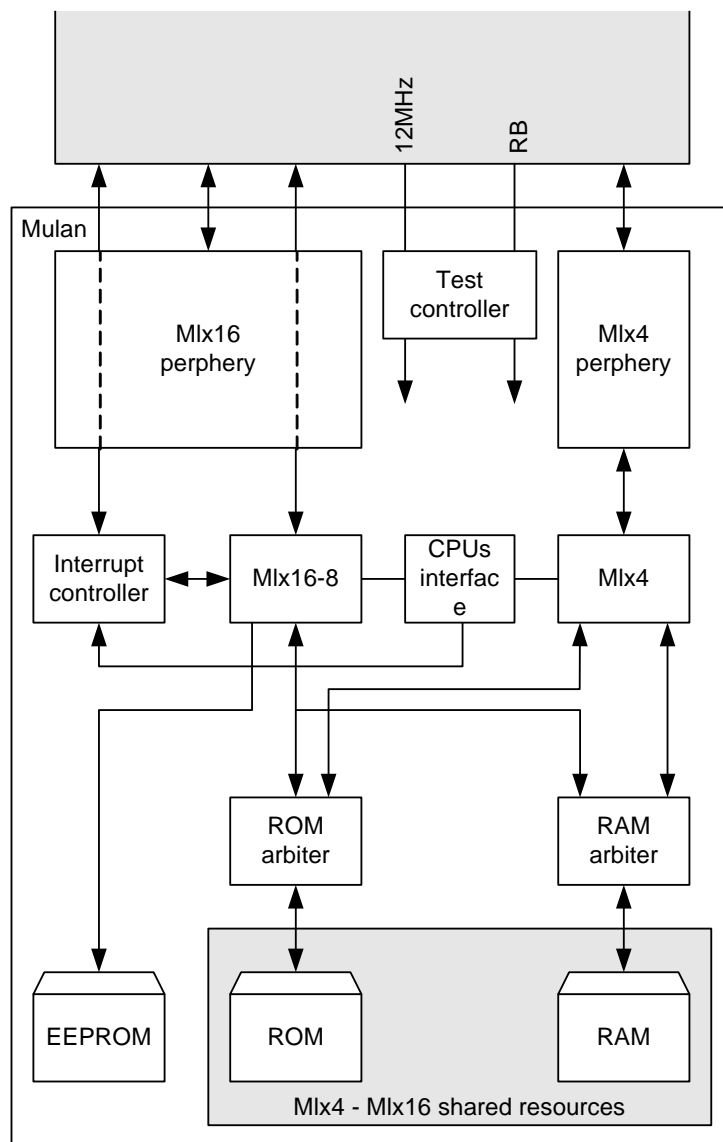


Figure 2 - Block Diagram of MULAN CPU

### 3.3 CPU Timing

MULAN use two CPUs:

A 4 bit CPU to handle a low speed protocol such as LIN.

A 16 bit CPU for an application firmware.

This construction has the following advantages:

The user does not need to take care of the real time problems of a protocol.

The protocol is handled by a Melexis firmware that can be updated when the protocol evolves.

The application CPU throughput is not affected by the protocol handling.

There is a native inter-task protection, e.g. an application crash does not affect the protocol handling.

Both CPUs share a common 12 MHz clock, a common ROM for program memory and a common RAM for data. Two memory arbiters are used for resolving conflicts with a common strategy: The Mlx4 always has priority. Most of the time there is no conflict as the CPUs are interleaved as shown on Figure 3.

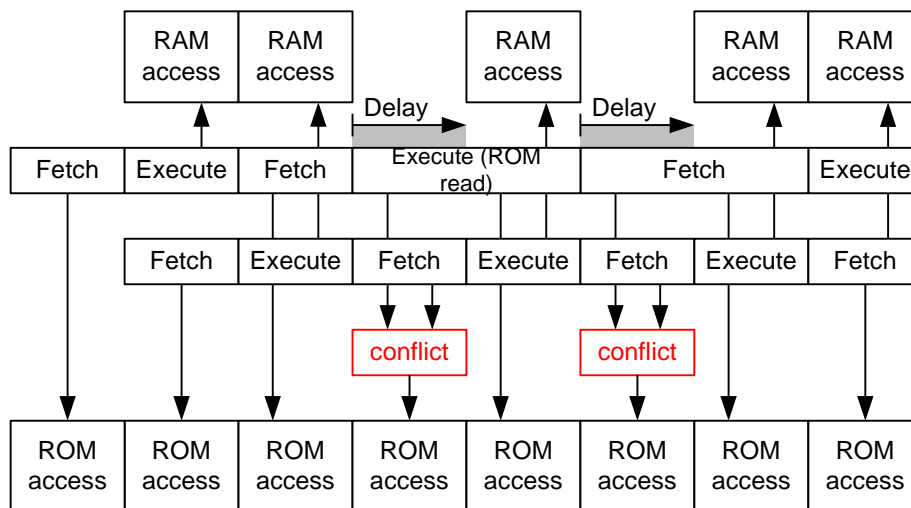


Figure 3 - CPU interleaving

### 3.4 MLX16-8

The 16 bit CPU is an Mlx16-8. This core is an evolution of the Mlx16 to increase GCC code generation efficiency. The change is limited to a few added instructions. A detailed description can be found in the Mlx16-8 datasheet. For readers familiar with the Mlx16, the list of instructions added is:

- CALLF : Call Far (anywhere within 64K)
- FSB : Find first bit set (in a word)
- MOVSB [X++], [Y++] : Copy array of bytes
- MOVSW [X++], [Y++] : Copy array of words
- Push #Word : Push a constant word into the stack
- SFB : Set first bit (in a word)

Moreover a new address mode has been added to allow direct access to any location. It is similar to dp: Addressing mode but allows any address within 64K at expense of an extra word of op-code.

## 4. Address Space

Mlx4 and Mlx16 share a common ROM and RAM. From the 2 CPUs a unified 16 bit bus is created (Von Neumann architecture). This bus is hooked to the ROM, the RAM, the EEPROM and the Mlx16-8 peripherals. Two arbiters are in charge of creating a unique memory address and corresponding access signals for ROM and RAM.

### 4.1 Memory Mapping

The unified 16 bit bus accesses devices as shown on Table 5.

| Mlx16-8      |                         |                                  |                          |
|--------------|-------------------------|----------------------------------|--------------------------|
| Memory space |                         |                                  | Allowed                  |
|              |                         |                                  | Fetch<br>Write<br>System |
| E030 - FFFF  | Not used                |                                  |                          |
| E000 - E02F  | Mlx16 System Ports      | 48 Bytes                         |                          |
| C020 - DFFF  | Not used                |                                  |                          |
| C000 - C01F  | Mlx16 User ports        | 32 Bytes                         |                          |
| B000 - BFFF  | Not used                |                                  |                          |
| A200 - AFFF  | Not used                |                                  |                          |
| A000 - A1FF  | RAM (2)                 | RAM: 512 Bytes                   |                          |
| 80C0 - 9FFF  | Not used                |                                  |                          |
| 8014 - 80BF  | EEPROM (1)              | EEPROM: 172 Bytes                |                          |
| 8000 - 8013  | EEPROM Melexis Area (1) | EEPROM: 20 Bytes                 |                          |
| 4000 - 7FFF  | Not used                |                                  |                          |
| 2000 - 3FFF  | ROM                     | ROM: 8kBytes, Mlx16 code         |                          |
| 1000 - 1FFF  | ROM                     | ROM: 4kBytes, Mlx4 or Mlx16 code |                          |
| 0000 - 0FFF  | ROM                     | ROM: 4kBytes, Minimum Mlx4 code  |                          |

(1): Fetch enabled in this area for patch codes  
 (2): See RAM sharing for Mlx4-Mlx16 distribution and protection

Table 5 - Unified memory mapping

There are some restrictions for accessing certain areas depending on the type of access:

- Mlx4 can fetch anywhere from 0x0000 to 0x1FFF (12 bits word address)
- Mlx16 can fetch from:
  - ROM: Normal case
  - EEPROM: For patched code
  - RAM: For test purposes
- Mlx4 and Mlx16 can read any RAM location (limited to 256 bytes for Mlx4)

The predefined pages of the Mlx16-8 are encoded as shown on Table 5. Some have fixed values (in grey) while others have value that depends of the ROM size. Table 6 gives examples for most common ROM sizes.

| Name | ROM  |  |
|------|------|--|
|      | 16K  | Note   |
| Fp0: | 3F00 | Last ROM page (used by interrupt controller)         |
| Fp1: | 3E00 | Could be used for C runtime                          |
| Fp2: | 3D00 | Could be used for C runtime                          |
| Fp3: | 3C00 | Could be used for C runtime                          |
| Fp4: | 3B00 | Could be used for C runtime                          |
| Fp5: | A100 | In (large) RAM for fast patches (copied from EEPROM) |
| Fp6: | A000 | In RAM Dp: for test routines                         |
| Fp7: | 8000 | In EEPROM to allow single instruction patch start    |
| Dp:  | A000 | Mlx16 private RAM                                    |
| Io:  | C000 | Standard Ports                                       |
| Ep:  | 8000 | EEPROM (First page)                                  |

Legend:

|  |                                   |
|--|-----------------------------------|
|  | Fixed address for any ROM size    |
|  | Address depending on the ROM size |

*Table 6 - MLX16 pre-defined pages*

## 4.2 RAM Sharing

A RAM size of 512 bytes is available for the MLX80104/5. This area is used by both CPUs.

While Mlx4 sees its private and shared RAM areas as 2 consecutive spaces, Mlx16 sees the private area of Mlx4 at the top of its RAM address space and the shared area at its bottom. This arrangement has the following advantages:

- Shared area is in Mlx16 Dp: address space, so Mlx16 has a fast access to it.
- The Mlx16-8 private area is in a single piece which makes GCC more efficient.

## 4.3 ROM/OTP Sharing

The MLX80104/5 has integrated 16Kbyte ROM or OTP. This area is used from both CPUs. The LIN Task + LIN API use 5kbytes while the rest (11kbytes) is available for the application running on the MLX16

Each CPU has its own separate program code in the ROM/OTP area but there is no specific mechanism to isolate them. The linker program merges the two programs and verifies that there is no overlapping, but if at execution time an error causes one CPU to jump into the code of the other one, it will of course execute unpredictable instructions and this situation will be detected either by watchdog overflow or protection error.



## 4.4 EEPROM

With the EEPROM it is possible to store non-volatile information. The EEPROM block is a 96 x 16bit Electrically Erasable Programmable Read Only Memory (EEPROM) with single power supply, single-error correction (SEC) and double-error detection (DED). An internal charge pump generates high voltage needed for the Erase/Write operations.

The EEPROM is Mlx16 private. The required EEPROM data for the Mlx4 execution is placed in RAM by the Mlx16 before it releases Mlx4 reset.

The EEPROM is organized in words (16 bits). Reading byte-wise is possible, but writing is only possible word-wise.

### 4.4.1. Static/dynamic Characteristics

| Parameter                    | Remark                         | min     | Typ | Max | Unit  |
|------------------------------|--------------------------------|---------|-----|-----|-------|
| Number of erase/write cycles | T <sub>amb</sub> = 25°C        | 100 000 |     |     |       |
|                              | T <sub>amb</sub> = 125°C       | 10 000  |     |     |       |
| Data retention time          | T <sub>amb</sub> = 85°C        | 10      |     |     | Years |
| Erase/Write time             | T <sub>amb</sub> = -40...125°C | 4       |     | 8   | ms    |

### 4.4.2. Reserved EEPROM Segments

| Segment name                | Segment range (word addresses) | Description                                       |
|-----------------------------|--------------------------------|---|
| <b>Melexis area</b>         | 0x8000 – 0x8013                | Melexis calibration data                          |
| <b>Patch0 start address</b> | 0x8014                         | start address and enable bit for firmware patch 0 |
| <b>Patch1 start address</b> | 0x8016                         | start address and enable bit for firmware patch 1 |
| <b>User area</b>            | 0x8018 – 0x809E                | User data   |
| <b>Patch0 area</b>          | 0x80A0 – 0x80AE                | Patch0  |
| <b>Patch1 area</b>          | 0x80B0 – 0x80BE                | Patch1  |

The using of firmware patches is optional but recommended. In case no firmware patch is used, these areas can be used for user data.

### 4.4.3. Write Timing

The EEPROM requires a 5ms delay for write and erase operations. This is generated from a 250 KHz internal clock. A write or erase access to the EEPROM starts a 5ms delay period that can be monitored by either polling port bit EE\_BUSY or waiting for the interrupt EE\_IT.

*Note:*

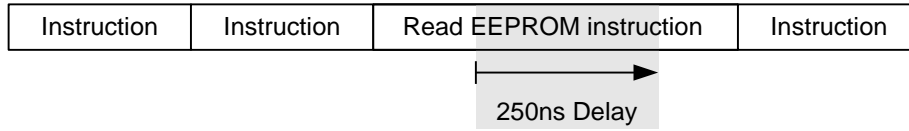
While the EEPROM is being written, both CPUs are still running. An attempt to read or write to EEPROM by Mlx16 while it is busy generates an exception interrupt.

### 4.4.4. Read timing

The read access time of the EEPROM is 4 clock periods. This delay is created using the master clock.

#### 4.4.5. Read

A read is done “on the fly” by adding wait states in the instruction.



*Figure 4 - EEPROM read*

### 4.4.6. Write/Erase

The MLx16 supports 2 operations: Read and Write, while EEPROM requires 3 operations: Read, Write, and Erase. EEPROM Write and Erase are both accomplished by an Mlx16 write instruction.

As write and erase delays are long, the Mlx16 does not delay its instruction till completion. A specific hardware buffers address and data and the CPU continues its execution while the write/erase is ongoing.

The CPU has 2 options to know when the write/erase delay is terminated. It can either poll bit EE\_BUSY (0 when not busy, 1 when busy) for a 0 value, or it can enable interrupt EE\_IT that will be triggered when EE\_BUSY goes from 1 to 0.

In order to minimize the risk of erroneous write/erase of the EEPROM, those accesses are only possible in system mode, e.g. application should call a secure system function to erase or write.

Since some applications require the EEPROM should never be written there is an extra protection for the EEPROM. The system port CONTROL has a bit EN\_EEPROM\_WE (0 at reset) that must be set to enable write and erase, or else the operation is cancelled and a protection interrupt is generated.

### EEPROM Control register

| Address | Name   | Bit7    | Bit6     | Bit5     | Bit4     | Bit3     | Bit2     | Bit1      | Bit0      |
|---------|--------|---------|----------|----------|----------|----------|----------|-----------|-----------|
| 0xE001  | EEPROM | EE_BUSY | Reserved | Reserved | Reserved | Reserved | Reserved | EE_CTL[1] | EE_CTL[0] |

EE\_BUSY Will be always high in case there is a write process running

EE\_CTL[1:0] Controls the EEPROM read and write mode

00 Write

01 Erase

10 Block write, write access to any EEPROM address will overwrite the complete EEPROM

11 Block erase, write access to any EEPROM address will reset the complete EEPROM to 1

### System Control register

| Address | Name    | Bit7     | Bit6      | Bit5    | Bit4    | Bit3    | Bit2     | Bit1 | Bit0    |
|---------|---------|----------|-----------|---------|---------|---------|----------|------|---------|
| 0xE000  | CONTROL | Reserved | EEPROM_WE | OUTC_WE | OUTB_WE | OUTA_WE | Reserved | HALT | M4_PORB |

EEPROM\_WE Write enable bit EEPROM

1 = EEPROM content can be changed

0 = EEPROM content can **not** be changed

OUTC\_WE Write enable bit

1 = ANA\_OUTC can be changed

0 = ANA\_OUTC can **not** be changed

OUTB\_WE Write enable bit

1 = ANA\_OUTB can be changed

0 = ANA\_OUTB can **not** be changed

OUTA\_WE Write enable bit

1 = ANA\_OUTA can be changed

0 = ANA\_OUTA can **not** be changed

HALT Writing to the bit will halt the MLX16

M4\_PORB Mlx4 Reset: Writing to the bit resets the MLX4

**System Various register**

| Address | Name    | Bit7   | Bit6   | Bit5     | Bit4     | Bit3     | Bit2     | Bit1     | Bit0     |
|---------|---------|--------|--------|----------|----------|----------|----------|----------|----------|
| 0xE000  | VARIOUS | EE_DED | EE_SEC | Reserved | Reserved | Reserved | Reserved | Reserved | Reserved |

EE\_DED           EEPROM double-error detection  
                   1 = EEPROM double-error detected  
                   0 = EEPROM double-error **not** detected

EE\_SEC           EEPROM single-error correction  
                   1 = EEPROM single-error detected and corrected  
                   0 = EEPROM single-error **not** detected

#### **4.5 OTP (MLX80105 only)**

The MLX80105 has integrated 16Kbyte OTP. This area is used by both CPUs. The LIN Task + LIN API use 5kbytes while the rest (11kbytes) is available for the application running on the MLX16

Each CPU has its own separate program code in the OTP area but there is no specific mechanism to isolate them. The linker program merges the two programs and verifies that there is no overlapping, but if at execution time an error causes one CPU to jump into the code of the other one, it will of course execute unpredictable instructions and this situation will be detected either by watchdog overflow or protection error.

From the functional point of view the MLX80104 (ROM) behaves the same as the MLX80105 (OTP).

## 5. IO Registers

### 5.1 General

There are 2 port spaces for the Mlx16:

- System protected ports (starting at address 0xE000), Mlx16 bit USER must be cleared.
- User ports (starting at address 0xC000), not protected, Mlx16 bit USER must be set.

The Mulan port map has an open window of 16 bytes of custom user ports and of 12 bytes of custom system ports (not included in Mulan). Reading to non existing custom ports will have no effect and reading from non existent custom ports will always return 0.

### 5.2 System Protected ports

Table 7 shows the available system ports. All of these ports are system protected, meaning they are only accessible with bit USER=0. All of these registers are located outside of the IO-Segment.

| Name       | Address | Access Mode | Description  | Page |
|------------|---------|-------------|--|------|
| MLX        | 0xE02F  | Byte        | MLX Reserved   |      |
| SEL_XTAL   | 0xE02E  | Word/Byte   | Selection of internal/external Oscillator                          | 43   |
| MLX        | 0xE02D  | Byte        | MLX Reserved   |      |
| STATUS     | 0xE02C  | Word/Byte   | Wakeup Source and central pull up/down input comparator            | 27   |
| SW_IN_H    | 0xE02B  | Byte        | SW8..9 Input comparator  | 28   |
| SW_IN_L    | 0xE02A  | Word/Byte   | SW0..7 Input comparator  | 28   |
| IO_IN      | 0xE029  | Byte        | IO0..8 Input comparator  | 29   |
| IO_AWD     | 0xE028  | Word/Byte   | Watchdog Acknowledge   | 44   |
| IO_IRQ     | 0xE027  | Byte        | Interrupt source of IO generated interrupts                        | 29   |
| IO_EN      | 0xE026  | Word/Byte   | Enable IO pins   | 29   |
| IO_INT_ENF | 0xE025  | Byte        | Enable IO interrupt on falling edges                               | 29   |
| IO_INT_ENR | 0xE024  | Word/Byte   | Enable IO interrupt on rising edges                                | 29   |
| MLX        | 0xE023  | Byte        | MLX Reserved   |      |
| MLX        | 0xE022  | Word/Byte   | MLX Reserved   |      |
| ANA_OUTC_H | 0xE021  | Byte        | ADC reference calibration  | 68   |
| ANA_OUTC_L | 0xE020  | Word/Byte   | RC Oscillator trimming, enable external system clock source        | 68   |
| ANA_OUTB_H | 0xE01F  | Byte        | Current references and bandgap trimming, slew rate LIN transceiver | 68   |
| ANA_OUTB_L | 0xE01E  | Word/Byte   | Switch current source trimming, VDDD and VDDA trimming             | 68   |
| ANA_OUTA_H | 0xE01D  | Byte        | Setting EEPROM write delay, timer controlled wake up enable        | 68   |
| ANA_OUTA_L | 0xE01C  | Word/Byte   | Power down enable LIN transceiver                                  | 68   |
| PATCH3_A_H | 0xE01B  | Byte        | 4 <sup>th</sup> Patch start address high byte, patch enable        | 70   |
| PATCH3_A_L | 0xE01A  | Word/Byte   | 4 <sup>th</sup> Patch start address low byte                       | 70   |
| PATCH2_A_H | 0xE019  | Byte        | 3 <sup>rd</sup> Patch start address high byte, patch enable        | 70   |
| PATCH2_A_L | 0xE018  | Word/Byte   | 3 <sup>rd</sup> Patch start address low byte                       | 70   |
| PATCH1_A_H | 0xE017  | Byte        | 2 <sup>nd</sup> Patch start address high byte, patch enable        | 70   |
| PATCH1_A_L | 0xE016  | Word/Byte   | 2 <sup>nd</sup> Patch start address low byte                       | 70   |
| PATCH0_A_H | 0xE015  | Byte        | 1 <sup>st</sup> Patch start address high byte, patch enable        | 70   |
| PATCH0_A_L | 0xE014  | Word/Byte   | 1 <sup>st</sup> Patch start address low byte                       | 70   |

| Name       | Address | Access Mode | Description                                      | Page |
|------------|---------|-------------|--|------|
| PATCH3_I_H | 0xE013  | Byte        | 4 <sup>th</sup> Patch jump instruction high byte | 70   |
| PATCH3_I_L | 0xE012  | Word/Byte   | 4 <sup>th</sup> Patch jump instruction low byte  | 70   |
| PATCH2_I_H | 0xE011  | Byte        | 3 <sup>rd</sup> Patch jump instruction high byte | 70   |
| PATCH2_I_L | 0xE010  | Word/Byte   | 3 <sup>rd</sup> Patch jump instruction low byte  | 70   |
| PATCH1_I_H | 0xE00F  | Byte        | 2 <sup>nd</sup> Patch jump instruction high byte | 70   |
| PATCH1_I_L | 0xE00E  | Word/Byte   | 2 <sup>nd</sup> Patch jump instruction low byte  | 70   |
| PATCH0_I_H | 0xE00D  | Byte        | 1 <sup>st</sup> Patch jump instruction high byte | 70   |
| PATCH0_I_L | 0xE00C  | Word/Byte   | 1 <sup>st</sup> Patch jump instruction low byte  | 70   |
| MLX        | 0xE00B  | Byte        | MLX reserved                                     |      |
| MLX        | 0xE00A  | Word/Byte   | MLX reserved                                     |      |
| PEND_H     | 0xE009  | Byte        | Pending Interrupts high byte                     | 53   |
| PEND_L     | 0xE008  | Word/Byte   | Pending Interrupts low byte                      | 53   |
| MASK_H     | 0xE007  | Byte        | Interrupt mask high byte                         | 53   |
| MASK_L     | 0xE006  | Word/Byte   | Interrupt mask low byte                          | 53   |
| PRIO_H     | 0xE005  | Byte        | Interrupt priority high byte                     | 53   |
| PRIO_L     | 0xE004  | Word/Byte   | Interrupt Priority low byte                      | 53   |
| SHRAMH     | 0xE003  | Byte        | Upper limit for the RAM not accessible by MLX16  |      |
| SHRAML     | 0xE002  | Word/Byte   | Lower limit for the RAM not accessible by MLX16  |      |
| EEPROM     | 0xE001  | Byte        | EEPROM control register                          | 19   |
| CONTROL    | 0xE000  | Byte        | System control register                          | 19   |

*Table 7 - System Protected Ports Overview*

### 5.3 Standard ports

Table 8 shows the available system ports. All of these ports are system protected, meaning they are only accessible with bit USER=1. All of these registers are located outside of the IO-Segment.

| Name           | Address | Access Mode   | Description   | Page |
|----------------|---------|---------------|---|------|
| MLX            | 0xC01F  | Byte          | MLX reserved  |      |
| MLX            | 0xC01E  | Word/Byte     | MLX reserved  |      |
| SW_CONFIG      | 0xC01D  | Byte          | Current configuration central current source, IREF enable | 27   |
| S3H            | 0xC01C  | Word/Byte     | IO pin open drain enable (S3)                             | 29   |
| S2H            | 0xC01B  | Byte          | IO pin central current source pull down enable (S2)       | 27   |
| S1H            | 0xC01A  | Word/Byte     | IO pin central current source pull up enable (S1)         | 27   |
| S3L_H          | 0xC019  | Byte          | SW8..9 pin open drain enable (S3)                         | 28   |
| S3L_L          | 0xC018  | Word/Byte     | SW0..7 pin open drain enable (S3)                         | 28   |
| S2L_H          | 0xC017  | Byte          | SW8..9 pin central current source pull down enable (S2)   | 27   |
| S2L_L          | 0xC016  | Word/Byte     | SW0..7 pin central current source pull down enable (S2)   | 27   |
| S1L_H          | 0xC015  | Byte          | SW8..9 pin central current source pull up enable (S1)     | 27   |
| S1L_L          | 0xC014  | Word/Byte     | SW0..7 pin central current source pull up enable (S1)     | 27   |
| PWM_DATA_READ  | 0xC013  | Byte          | PWM duty cycle value (read only)                          |      |
| PWM_DATA_WRITE | 0xC012  | Word/Byte     | PWM duty cycle write register                             |      |
| PWM_AD         | 0xC011  | Byte          | PWM channel selection                                     | 57   |
| PWM_CTL        | 0xC010  | Word/Byte     | PWM configuration register                                | 58   |
| MLX            | 0xC00F  | Byte          | MLX reserved  |      |
| MLX            | 0xC00E  | Word/Byte     | MLX reserved  |      |
| MLX            | 0xC00D  | Byte          | MLX reserved  |      |
| MLX            | 0xC00C  | Word/Byte     | MLX reserved  |      |
| ADC_IN_H       | 0xC00B  | Byte          | ADC result high byte                                      | 50   |
| ADC_IN_L       | 0xC00A  | Word/Byte     | ADC result low byte                                       | 50   |
| ADC_CTL_H      | 0xC009  | Byte          | ADC reference voltage and channel selection               | 50   |
| ADC_CTL_L      | 0xC008  | Word/Byte     | ADC configuration and status                              | 50   |
| TIMER_H        | 0xC007  | Byte          | Timer register high byte, Timer enable                    | 60   |
| TIMER_L        | 0xC006  | Word/Byte     | Timer register low byte                                   | 60   |
| XIN            | 0xC005  | Byte          | Thermal error   | 66   |
| WTG            | 0xC004  | Word/Byte     | Digital Watchdog tag register                             | 47   |
| WDCTRL         | 0xC003  | Byte          | Digital watchdog control register                         |      |
| WDT            | 0xC002  | Word/Byte     | Digital Watchdog timeout register                         |      |
| VER            | 0xC001  | Byte          | Hardware revision   |      |
| VARIOUS        | 0xC000  | Word/Byte/Bit | System status   |      |

*Table 8 - Standard Ports Overview*



## 6. IO Ports

The MLX80104/5 contains two types of ports. All of them are proof to battery voltage. In case of ECU loss of battery (LOB) and a short of the wiring harness to an external supply line the MLX80104/5 will be reverse powered. Please refer to chapter "Operating under Disturbance".

### 6.1 Common Features of Pin SWx and IOx

The ports *SW0..9* as well as the ports *IO0..7* allow a very flexible control of up to 18 single switches or a switch matrix or any combination of both, supplied by an internal current source of typically >7mA. The switch control is sequential and periodical, so that only one port will be supplied at the same time.

If switches are placed outside and connected via a wiring harness to the ECU the MLX80104/5 allows full diagnosis of short circuits or broken line.

All ports provide a programmable wake up function and a 10mA open drain low side switch (matrix row connection to GND).

If ports are not used for switch detection, they can be configured passive (tristate behaviour) or as general purpose 10mA open drain output with port monitor. The input thresholds are compatible to 3.3V/5V supply systems. The accuracy of the input threshold allows a monitoring of external voltages without ADC. It allows connection of external supplied encoders, halls or similar.

Furthermore this architecture supports driving of logic output signals for other ECU components via an external pull up resistor as well as the driving of high side or low side loads by providing base current for an external pnp transistor.

6.1.1. Pin structure

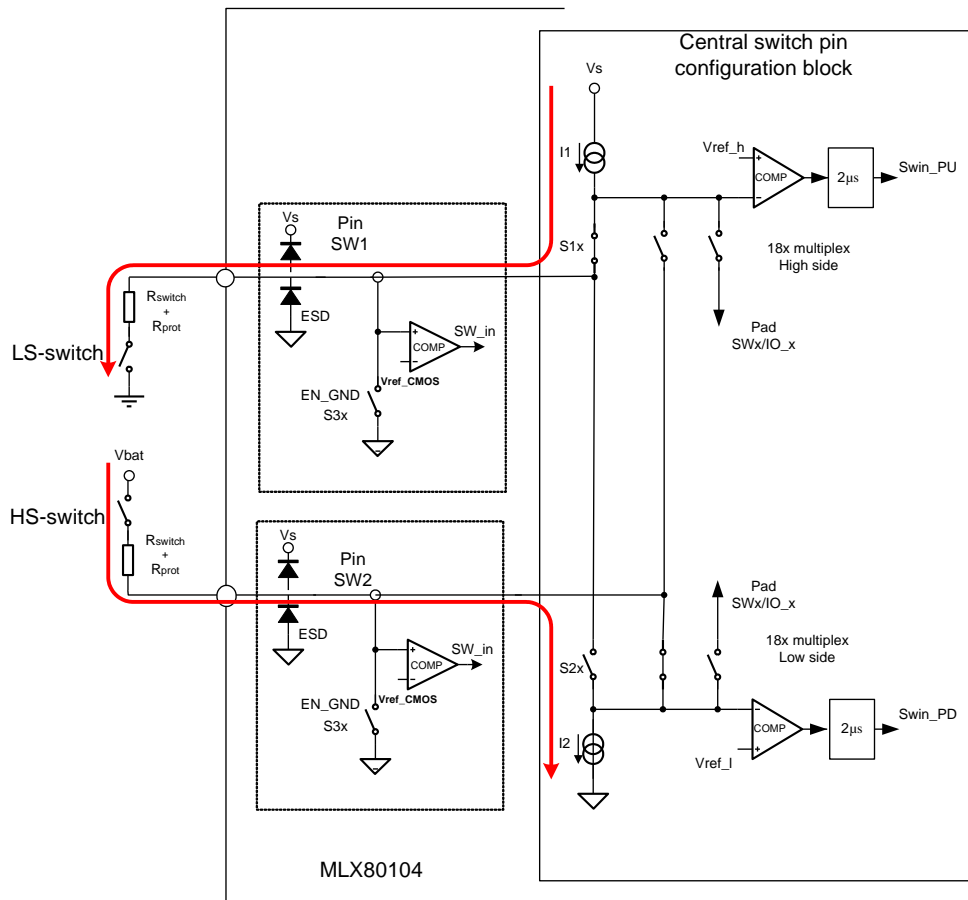


Figure 5 - Common pin Structure SWx and IOx

Figure 5 illustrates the basic structure and control of the ports for switch detection.

The default configuration of all ports after power on or wake up is tristate. After the initialisation procedure the ports will be configured by the MCU. The pull up or pull down current is provided by two central current sources I1 and I2. The currents for switch control have to be applied sequentially by the multiplex switches S1x or S2x. If a low impedance path to Ground is required (open drain buffer or matrix mode row connection), the local switch S3x has to be used.

Because of the multiplex principle only two comparators are required to detect the port input voltage levels. For RF interference as well as suppression of automotive disturbances the comparator path contains a debounce filter of typically 2µs.

The multiplex switches S1, S2 as well as the local open drain buffer S3 are controlled by the registers S3H and S3L.

### 6.1.2. Configuration Register Central Current Source

#### Status Register pull up/down input comparator – System protected port

| Address | Name   | Bit7 | Bit6 | Bit5         | Bit4            | Bit3         | Bit2       | Bit1    | Bit0    |
|---------|--------|------|------|--------------|-----------------|--------------|------------|---------|---------|
| 0xE02C  | STATUS | -    | -    | WAKEUP_ERROR | INTERNAL_WAKEUP | LOCAL_WAKEUP | BUS_WAKEUP | SWIN_PU | SWIN_PD |

|                 |  |
|-----------------|--|
| WAKEUP_ERROR    | Will be set if during change to sleep mode a switch state change is detected |
| INTERNAL_WAKEUP | Wakeup event generated from the internal timer                               |
| LOCAL_WAKEUP    | Wakeup event generated from a wakeup configured SWx or IOx pin               |
| BUS_WAKEUP      | Wakeup event generated from the LIN bus                                      |
| SWIN_PD         | Input comparator of central current source pull down                         |
| SWIN_PU         | Input comparator of central current source pull up                           |

#### Central current source configuration

| Address | Name      | Bit7 | Bit6 | Bit5 | Bit4 | Bit3    | Bit2    | Bit1    | Bit0 |
|---------|-----------|------|------|------|------|---------|---------|---------|------|
| 0xC01D  | SW_CONFIG | -    | -    | -    | -    | IREF_EN | DIAG_S2 | DIAG_S1 | -    |

|         |   |
|---------|---|
| IREF_EN | Switch IREF PIN on/off (0=off)  |
| DIAG_S2 | Configure central pull down current source to 10..20% of nominal value for switch diagnosis |
| DIAG_S1 | Configure central pull up current source to 10..20% of nominal value for switch diagnosis   |

#### Central current source enable register

| Address | Name  | Bit7   | Bit6   | Bit5   | Bit4   | Bit3   | Bit2   | Bit1   | Bit0   |
|---------|-------|--------|--------|--------|--------|--------|--------|--------|--------|
| 0xC01B  | S2H   | IO7_S2 | IO6_S2 | IO5_S2 | IO4_S2 | IO3_S2 | IO2_S2 | IO1_S2 | IO0_S2 |
| 0xC01A  | S1H   | IO7_S1 | IO6_S1 | IO5_S1 | IO4_S1 | IO3_S1 | IO2_S1 | IO1_S1 | IO0_S1 |
| 0xC017  | S2L_H | -      | -      | -      | -      | -      | -      | SW9_S2 | SW8_S2 |
| 0xC016  | S2L_L | SW7_S2 | SW6_S2 | SW5_S2 | SW4_S2 | SW3_S2 | SW2_S2 | SW1_S2 | SW0_S2 |
| 0xC015  | S1L_H | -      | -      | -      | -      | -      | -      | SW9_S1 | SW8_S1 |
| 0xC014  | S1L_L | SW7_S1 | SW6_S1 | SW5_S1 | SW4_S1 | SW3_S1 | SW2_S1 | SW1_S1 | SW0_S1 |

|        |   |
|--------|---|
| IOx_S2 | Enable central pull down current source for IOx (S2) – See Figure 5 |
| IOx_S1 | Enable central pull up current source for IOx (S2) – See Figure 5   |
| SWx_S2 | Enable central pull down current source for SWx (S2) – See Figure 5 |
| SWx_S1 | Enable central pull up current source for SWx (S2) – See Figure 5   |

### 6.1.3. Configuration Register SWx

#### Open drain output configuration register

| Address | Name  | Bit7   | Bit6   | Bit5   | Bit4   | Bit3   | Bit2   | Bit1   | Bit0   |
|---------|-------|--------|--------|--------|--------|--------|--------|--------|--------|
| 0xC019  | S3L_H | -      | -      | -      | -      | -      | -      | SW9_S3 | SW8_S3 |
| 0xC018  | S3L_L | SW7_S3 | SW6_S3 | SW5_S3 | SW4_S3 | SW3_S3 | SW2_S3 | SW1_S3 | SW0_S3 |

SWx\_S3      Enables open drain transistor at SWx pin (S3) – See Figure 5

#### Input comparator register – System protected ports

| Address | Name    | Bit7   | Bit6   | Bit5   | Bit4   | Bit3   | Bit2   | Bit1   | Bit0   |
|---------|---------|--------|--------|--------|--------|--------|--------|--------|--------|
| 0xE02B  | SW_IN_H | -      | -      | -      | -      | -      | -      | SW_IN9 | SW_IN8 |
| 0xE02A  | SW_IN_L | SW_IN7 | SW_IN6 | SW_IN5 | SW_IN4 | SW_IN3 | SW_IN2 | SW_IN1 | SW_IN0 |

SW\_INx      Input comparator of pin SWx

#### 6.1.4. Configuration Register IOx

##### Open drain output configuration register

| Address | Name | Bit7   | Bit6   | Bit5   | Bit4   | Bit3   | Bit2   | Bit1   | Bit0   |
|---------|------|--------|--------|--------|--------|--------|--------|--------|--------|
| 0xC01C  | S3H  | IO7_S3 | IO6_S3 | IO5_S3 | IO4_S3 | IO3_S3 | IO2_S3 | IO1_S3 | IO0_S3 |

IOx\_S3            Enables open drain transistor at IOx pin (S3) – See Figure 5

##### Input comparator register – System protected ports

| Address | Name  | Bit7   | Bit6   | Bit5   | Bit4   | Bit3   | Bit2   | Bit1   | Bit0   |
|---------|-------|--------|--------|--------|--------|--------|--------|--------|--------|
| 0xE029  | IO_IN | IO7_IN | IO6_IN | IO5_IN | IO4_IN | IO3_IN | IO2_IN | IO1_IN | IO0_IN |
| 0xE026  | IO_EN | IO7_EN | IO6_EN | IO5_EN | IO4_EN | IO3_EN | IO2_EN | IO1_EN | IO0_EN |

IOx\_IN            Input comparator of pin IOx  
IOx\_EN            Enables IOx input comparator

##### Interrupt register – System protected ports

| Address | Name       | Bit7     | Bit6     | Bit5     | Bit4     | Bit3     | Bit2     | Bit1     | Bit0     |
|---------|------------|----------|----------|----------|----------|----------|----------|----------|----------|
| 0xE027  | IO_IRQ     | IO7_IRQ  | IO6_IRQ  | IO5_IRQ  | IO4_IRQ  | IO3_IRQ  | IO2_IRQ  | IO1_IRQ  | IO0_IRQ  |
| 0xE025  | IO_INT_ENF | IO7_INTF | IO6_INTF | IO5_INTF | IO4_INTF | IO3_INTF | IO2_INTF | IO1_INTF | IO0_INTF |
| 0xE024  | IO_INT_ENR | IO7_INTR | IO6_INTR | IO5_INTR | IO4_INTR | IO3_INTR | IO2_INTR | IO1_INTR | IO0_INTR |

IOx\_IRQ            Interrupt source of external interrupt  
IOx\_INTF          Enables falling edge interrupt on IOx  
IOx\_INTR          Enables rising edge interrupt on IOx

### 6.1.5. Switch current generation

The switch level detection is limited by the following criteria:

- Battery voltage range of 5...27V
- GND or VBAT shift < 0.1\*Vs max.
- Applied current >7mA
- For switch matrix mode the voltage drop via the internal GND switch (S3) has to be lower than or equal to the maximum GND shift voltage for a low side input switch
- Contact resistance of the switch up to 1KΩ
- Internal voltage drops ( On - resistance of multiplex switches, impedance of the current source, supply wiring resistance)
- Failure diagnosis for switches placed outside

In order to meet these requirements, the switch current has to be a function of the battery voltage and must be limited for battery voltages higher than 14V:

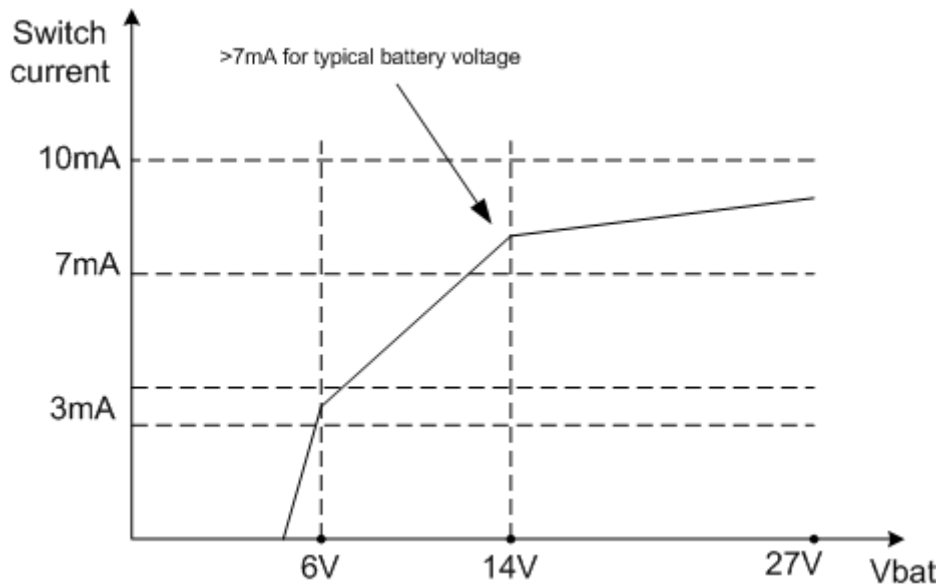


Figure 6 - Voltage dependency of the switch current

For normal battery operation voltages of 13..14V, a minimum current of >7mA can be guaranteed. In case of higher battery voltages the current will be limited to <10mA.

6.1.6. The switch detection thresholds

**LS – switch**

|                                | Vbat 14V | Vbat 7V |
|--------------------------------|----------|---------|
| Injection current (calibrated) | 8mA      | 3.5mA   |
| GND shift(0.1*Vbat)            | 1.4V     | 0.7V    |
| Drop switch (1kΩ)              | 8V       | 3.5V    |
| Drop S1(300Ω)                  | 2.4V     | 1.05V   |
| Drop current source I1         | 1V       | 0.5V    |
| Supply voltage Vs              | 13V      | 6V      |

Switch closed: (maximum input low voltage)

- (1)  $V_{in\_h} = V_{gnd\_shift} + V_{drop\_sw} + V_{drop\_S1}$
- (2)  $V_{in\_h} < VS - V_{drop\_I1} < V_{ref\_h}$

Switch open: (minimum input high voltage)

- (3)  $V_s > V_{in\_h} = I1 * R_{leak} > V_{ref\_h}$

These conditions will be met by  $V_{ref\_h} = 0.9 * VS$

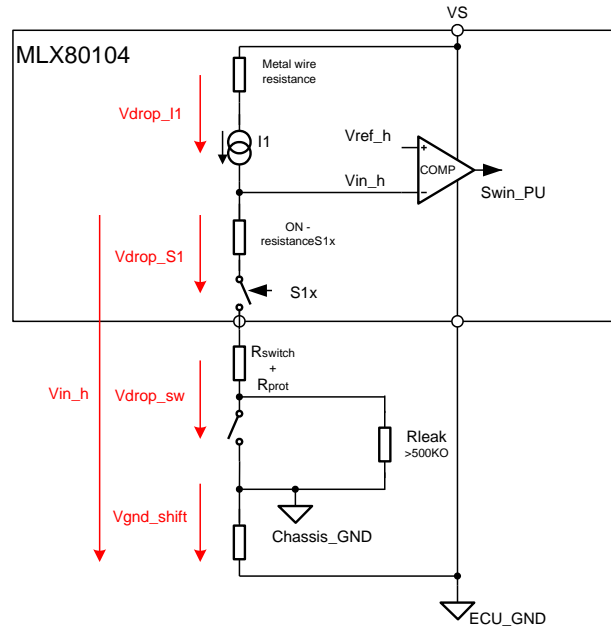


Figure 7 - Voltage drops external LS switch

**Switch matrix**

|                                | Vbat 14V | Vbat 7V |
|--------------------------------|----------|---------|
| Injection current (calibrated) | 8mA      | 3.5mA   |
| Drop S3(175Ω)                  | 1.4V     | 0.6V    |
| Drop switch (1kΩ)              | 8V       | 3.5V    |
| Drop S1(300Ω)                  | 2.4V     | 1.05V   |
| Drop current source I1         | 1V       | 0.5V    |
| Supply voltage Vs              | 13V      | 6V      |

Switch closed: (maximum input low voltage)

- (1)  $V_{in\_h} = V_{drop\_S3} + V_{drop\_sw} + V_{drop\_S1}$
- (2)  $V_{in\_h} < VS - V_{drop\_I1} < V_{ref\_h}$

Switch open: (minimum input high voltage)

- (3)  $V_s > V_{in\_h} = I1 * R_{leak} > V_{ref\_h}$

These conditions will be met by  $V_{ref\_h} = 0.9 * VS$

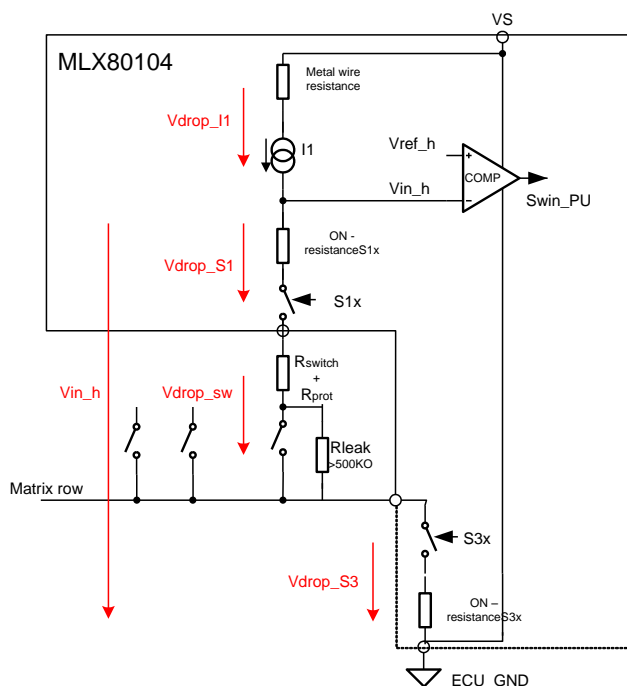


Figure 8 - Voltage drops switch matrix

**HS – switch**

|                                | Vbat 14V | Vbat 7V |
|--------------------------------|----------|---------|
| Injection current (calibrated) | 8mA      | 3.5mA   |
| Vbat shift(0.1*Vbat)           | 1.4V     | 0.7V    |
| Drop switch (1kΩ)              | 8V       | 3.5V    |
| Drop S2(300Ω)                  | 2.4V     | 1.05V   |
| Drop current source I2         | 1V       | 0.5V    |
| Supply voltage Vs              | 13V      | 6V      |

Switch closed: (minimum input high voltage)

- (1)  $V_{bat} - V_{in\_I} = V_{drop\_S2} + V_{drop\_sw} + V_{bat\_shift}$
- (2)  $V_{bat} - V_{in\_I} < V_{drop\_I2} > V_{ref\_I}$

Switch open: (maximum input low voltage)

- (3)  $0 < V_{bat} - V_{in\_I} = V_{bat} - (I_2 * R_{leak}) < V_{ref\_I}$

These conditions will be met by  $V_{ref\_I} = 0.1 * V_S$

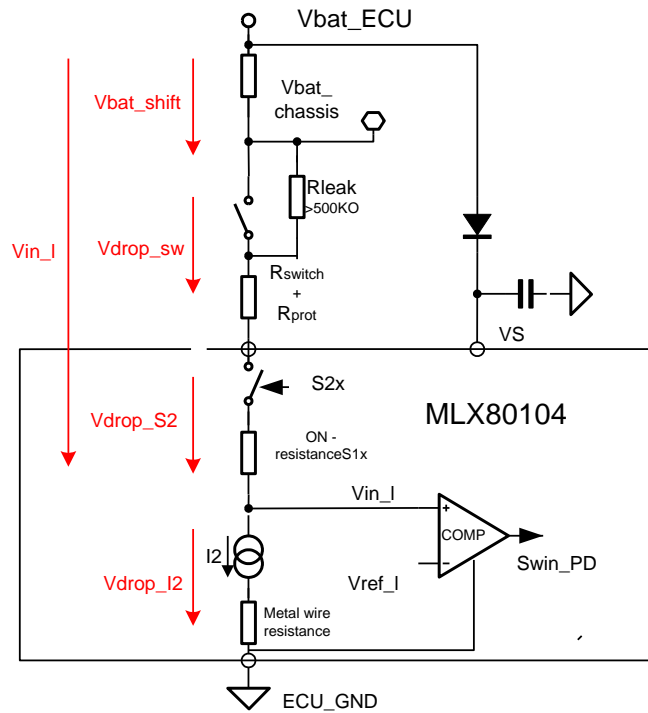


Figure 9 - Voltage drops external HS switch

**Parameters of input switches**

|  |             |          |
|--|-------------|----------|
| Closed switch threshold resistance (including optional protection resistor)                                  | Rin_max     | < 1175Ω  |
| Closed switch threshold resistance (including optional protection resistor and maximum battery or GND shift) | Rin_max_ext | < 1000Ω  |
| Protection resistor for external switches  | Rprot       | >100 Ω   |
| Protection capacitor for external switches   | Cprot       | 0...10nF |



### 6.1.7. Switch diagnosis

If switches are connected via a wiring harness outside the ECU some failure states has to be considered:

- Short circuit to battery
- Short circuit to GND
- Short circuit to other switches
- Break of wires in the harness

For diagnosis the current sources I1 as well as I2 can be configured to 10..20% of the normal current value. Assuming the same worst case conditions as used for the switch detection level calculation, the diagnosis current allows the detection of up to 7.5kΩ resistance in the switch path.

#### Low side switch

Table 9 - Logic table for detection of LS input switches

| Error Condition | Closed Switch | Open Switch | Broken Wire | Short to battery | Short to GND | Short to 2 <sup>nd</sup> switch | SW <sub>x</sub> _S1<br>IO <sub>x</sub> _S1 | SW <sub>x</sub> _S2<br>IO <sub>x</sub> _S2 | DIAG_S1 | DIAG_S2 |
|-----------------|---------------|-------------|-------------|------------------|--------------|---------------------------------|--|--|---------|---------|
| SWIN_PU         | 1             | 0           | 0           | 0                | 1            | 1/0                             | 1  | 0  | 0       | 0       |
| SWIN_PD         | 0             | 0           | 0           | 0                | 0            | 0                               | 1  | 0  | 0       | 0       |

As shown in the Table 9, a closed switch cannot be differentiated from a short vs. GND by the logic level of SWIN\_PU, but if the value is stable after a certain number of cycles, a faulty closed or shorted switch can be identified. A short to battery can be detected by using the complementary diagnosis current 10..20% \* I2:

Table 10 - Logic table for diagnosis of LS input switches short vs. battery

| Error Condition | Closed Switch | Open Switch | Broken Wire | Short to battery | Short to GND | Short to 2 <sup>nd</sup> switch | SW <sub>x</sub> _S1<br>IO <sub>x</sub> _S1 | SW <sub>x</sub> _S2<br>IO <sub>x</sub> _S2 | DIAG_S1 | DIAG_S2 |
|-----------------|---------------|-------------|-------------|------------------|--------------|---------------------------------|--|--|---------|---------|
| SWIN_PU         | 0             | 0           | 0           | 0                | 0            | 0                               | 0  | 1  | 0       | 1       |
| SWIN_PD         | 0             | 0           | 0           | 1                | 0            | 1/0                             | 0  | 1  | 0       | 1       |

If a switch S<sub>x</sub> is shorted to another switch S<sub>y</sub>, a diagnosis is possible by applying the injection current I1 to the first switch and a sequential scan of the other switches S<sub>y</sub> with the diagnosis current 10..20% \* I2:

Table 11 - Logic table for diagnosis of all input switches short vs. other switches by I1

| Error Condition | No short | Short to 2 <sup>nd</sup> Switch | + Short to GND | + Short to Vbat | Switch x<br>SW <sub>x</sub> _S1/<br>IO <sub>x</sub> _S1 | Switch x<br>SW <sub>x</sub> _S2/<br>IO <sub>x</sub> _S2 | Switch y<br>SW <sub>y</sub> _S1/<br>IO <sub>y</sub> _S1 | Switch y<br>SW <sub>y</sub> _S2/<br>IO <sub>y</sub> _S2 | DIAG_S1 | DIAG_S2 |
|-----------------|----------|---------------------------------|----------------|-----------------|---|---|---|---|---------|---------|
| SWIN_PU         | 0        | 0                               | 1              | 0               | 0   | 1   | 1   | 0   | 0       | 1       |
| SWIN_PD         | 0        | 1                               | 0              | 1               | 0   | 1   | 1   | 0   | 0       | 1       |

This diagnosis additionally allows the detection of double fault conditions (short to other switch pin & short to battery or GND). For separation of double fault condition with short vs. battery the diagnosis scan has to be repeated by the opposite current configuration applying the injection current I2 to the first switch and a sequential scan of the other switches S<sub>y</sub> with the diagnosis current 10..20% \* I1:

Table 12 - Logic table for diagnosis of all input switches short vs. other switches by I2

| Error Condition | No short | Short to 2 <sup>nd</sup> Switch | + Short to GND | + Short to Vbat | Switch x SW <sub>x_S1</sub> / IO <sub>x_S1</sub> | Switch x SW <sub>x_S2</sub> / IO <sub>x_S2</sub> | Switch y SW <sub>y_S1</sub> / IO <sub>y_S1</sub> | Switch y SW <sub>y_S2</sub> / IO <sub>y_S2</sub> | DIAG_S1 | DIAG_S2 |
|-----------------|----------|---------------------------------|----------------|-----------------|--|--|--|--|---------|---------|
| SWIN_PU         | 0        | 1                               | 1              | 0               | 0  | 1  | 1  | 0  | 1       | 0       |
| SWIN_PD         | 0        | 0                               | 0              | 1               | 0  | 1  | 1  | 0  | 1       | 0       |

The last possible fault condition of the wiring harness is a break(s) of wire(s). This fault cannot be detected by using the scan methods as described in the above tables.

By adding a resistor of 7.5kΩ±1% in parallel to the switch, an open switch can be differentiated from a switch break. For diagnosis the scan result has to be compared to a 2<sup>nd</sup> scan with the diagnosis injection current 10..20% \* I1:

Table 13 - Logic table for break detection of LS input switches

| Error Condition | Closed | Open | Break | Short to Vbat | Short to GND | Short to 2 <sup>nd</sup> switch | SW <sub>x_S1</sub> / IO <sub>x_S1</sub> | SW <sub>x_S2</sub> / IO <sub>x_S2</sub> | DIAG_S1 | DIAG_S2 |
|-----------------|--------|------|-------|---------------|--------------|---------------------------------|---|---|---------|---------|
| SWIN_PU         | 1      | 1    | 0     | 0             | 1            | 1/0                             | 1                                       | 0                                       | 1       | 0       |
| SWIN_PD         | 0      | 0    | 0     | 0             | 0            | 0                               | 1                                       | 0                                       | 1       | 0       |

### High side switch

For the diagnosis of the HS – input switches the complementary configuration has to be applied:

Table 14 - Logic table for detection of HS input switches

| Error Condition | Closed | Open | Break | Short to Vbat | Short to GND | Short to 2 <sup>nd</sup> switch | SW <sub>x_S1</sub> / IO <sub>x_S1</sub> | SW <sub>x_S2</sub> / IO <sub>x_S2</sub> | DIAG_S1 | DIAG_S2 |
|-----------------|--------|------|-------|---------------|--------------|---------------------------------|---|---|---------|---------|
| SWIN_PD         | 1      | 0    | 0     | 1             | 0            | 1/0                             | 0                                       | 0                                       | 0       | 0       |
| SWIN_PU         | 0      | 0    | 0     | 0             | 0            | 0                               | 0                                       | 0                                       | 0       | 0       |

As shown in the Table 14, a closed switch cannot be differentiated from a short to battery by the logic level of SWIN\_PD, but if the value is stable after a certain number of cycles, a faulty closed or shorted switch can be identified. A short to GND can be distinguished from an open switch by using the complementary diagnosis current 10..20% \* I1:

Table 15 - Logic table for diagnosis of HS input switches short vs. GND

| Error Condition | Closed | Open | Break | Short to Vbat | Short to GND | Short to 2 <sup>nd</sup> switch | SW <sub>x_S1</sub> / IO <sub>x_S1</sub> | SW <sub>x_S2</sub> / IO <sub>x_S2</sub> | DIAG_S1 | DIAG_S2 |
|-----------------|--------|------|-------|---------------|--------------|---------------------------------|---|---|---------|---------|
| SWIN_PD         | 0      | 0    | 0     | 0             | 0            | 0                               | 1                                       | 0                                       | 1       | 0       |
| SWIN_PU         | 0      | 0    | 0     | 0             | 1            | 1/0                             | 1                                       | 0                                       | 1       | 0       |

By adding a resistor of 7.5kΩ±1% in parallel to the switch, an open switch can be distinguished from a broken wire. For diagnosis the scan result has to be compared to a 2<sup>nd</sup> scan with the diagnosis injection current 10..20% \* I2:

*Table 16 - Logic table for break detection of HS input switches*

| Error Condition | Closed   | Open     | Break | Short to Vbat | Short to GND | Short to 2 <sup>nd</sup> switch | SW <sub>x</sub> _S1/<br>IO <sub>x</sub> _S1 | SW <sub>x</sub> _S2/<br>IO <sub>x</sub> _S2 | DIAG_S1 | DIAG_S2 |
|-----------------|----------|----------|-------|---------------|--------------|---------------------------------|---|---|---------|---------|
| SWIN_PD         | <b>1</b> | <b>1</b> | 0     | 0             | 1            | 1/0                             | 0   | 1   | 0       | 1       |
| SWIN_PU         | 0        | 0        | 0     | 0             | 0            | 0                               | 0   | 1   | 0       | 1       |

The short circuits vs. other switch input pins are covered by the method described in Table 14 and Table 15.

### 6.1.8. Switch Configuration in sleep mode

In case of a valid go to sleep condition, the following procedure must be initiated:

- All ports requesting a wake up capability will be connected in parallel by the closed switches S1x or S2x to the shared sleep comparators and the shared pull up/down resistors.
- Any permanently closed pushbutton or switch as well as ports with short circuits to battery or GND have to be *excluded* from the wake up capability, because a permanent current would be applied in sleep mode and no wake up edge detection would be possible (OR interconnection). This makes switch diagnosis mandatory before GO TO SLEEP
- Switches with parallel resistor for break diagnosis have to be *excluded* from the wake up capability because of a permanent current flow in sleep mode and an undefined shift of the wake up threshold.
- After the GO TO SLEEP command any local wake up condition will be suppressed by a sleep counter in order to insure stable conditions at any port and prevent an invalid wake up. The status of S1x, S2x as well as S3x (matrix rows) will be stored with the rising edge of the GO TO SLEEP command.
- In case of a changed switch status after the GO TO SLEEP timeout period the system will wake up immediately and a 'wake up error flag' will be set.
- A local wake up will be detected after a change of a switch position(s) for longer than the specified wake up filter time, the local wake up flag will be set.
- This described procedure allows a change into power saving modes even in case of failures

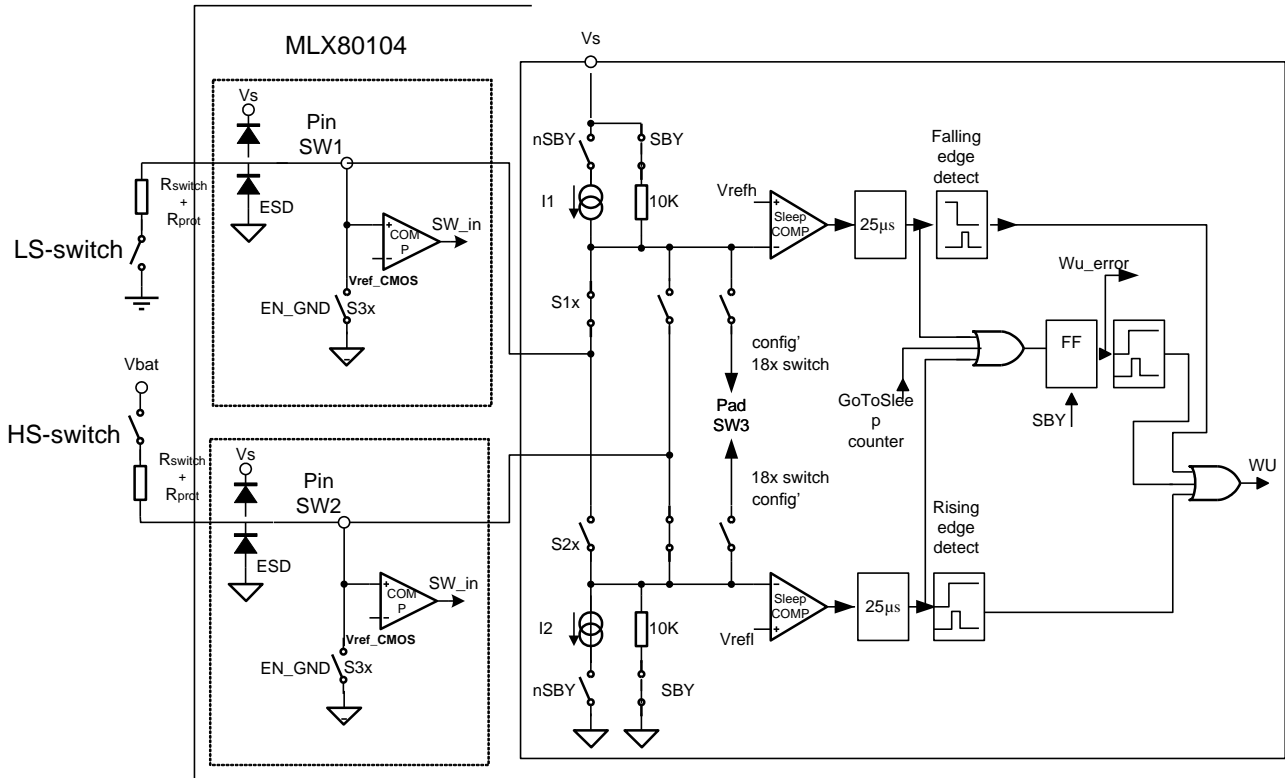


Figure 10 - Wake up detection for switch inputs

As shown in Table 17, the following sleep mode configurations are possible:

Table 17 - Sleep mode configuration overview (switch detection)

| Mode                   | S1x | S2x | S3x | Comment                                |
|------------------------|-----|-----|-----|--|
| No wake up required    | 0   | 0   | 0   | Port tristate                          |
| Wake up for LS switch  | 1   | 0   | 0   | Internal wake up current source to Vs  |
| Wake up fur HS switch  | 0   | 1   | 0   | Internal wake up current source to GND |
| Wake up matrix columns | 1   | 0   | 0   | Internal wake up current source to Vs  |
| Wake up matrix rows    | 0   | 0   | 1   | Path to GND                            |

## 6.2 Additional Operation Modes SWx Ports

### Open drain output mode

The SWx pins can also be used as normal open drain outputs. This mode can be switched on via the configuration register bits. In this mode the central current source (S1x and S3x) should not be applied to the open drain configured pin.

Because of the high voltage capability of the pin the current capability can be easily extended via an external pnp-transistor.

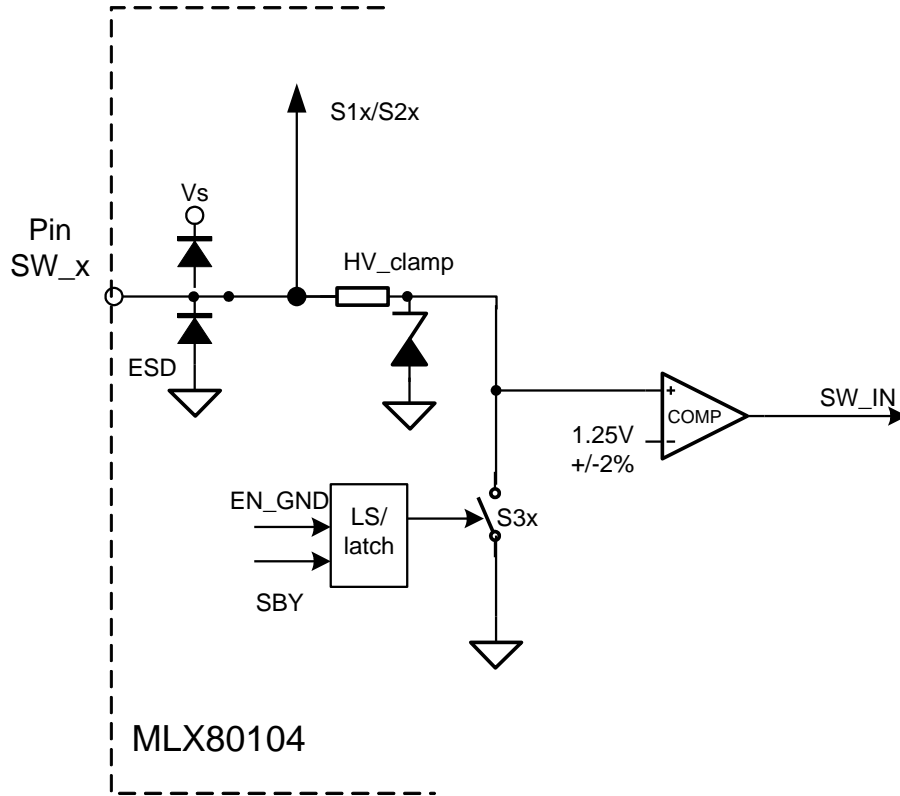


Figure 11 - Structure of SW<sub>x</sub> pins

Table 18 - Active mode configuration overview SWx pins

| Mode                      | Register SW_Sxy |        |        | Reg. SW_CONFIG |         | Central current source value |         | Input result        | Remark                            |
|---------------------------|-----------------|--------|--------|----------------|---------|------------------------------|---------|---------------------|-----------------------------------|
|                           | SWx_S1          | SWx_S2 | SWx_S3 | DIAG_S1        | DIAG_S2 | I1                           | I2      |                     |                                   |
| Tristate                  | 0               | 0      | 0      | x              | x       | x                            | x       | -                   |                                   |
| Central pull up current   | 1               | 0      | 0      | 0              | X       | 100%                         | X       | SWIN_PU             | Low side switch or matrix columns |
| Central pull down current | 0               | 1      | 0      | x              | 0       | x                            | 100%    | SWIN_PD             | High side switch                  |
| Matrix row connection     | 0               | 0      | 1      | x              | x       | x                            | x       | SWIN_PU             |                                   |
| Diagnosis 1               | 1/0             | 1/0    | 0      | 1              | 0       | 10..20%                      | 100%    | SWIN_PU/<br>SWIN_PD | Switch Diagnosis                  |
| Diagnosis 2               | 1/0             | 1/0    | 0      | 0              | 1       | 100%                         | 10..20% | SWIN_PU/<br>SWIN_PD | Switch Diagnosis                  |
| Digital Input             | 0               | 0      | 0      | x              | x       | x                            | x       | SW_Inx              |                                   |
| Open drain output         | 0               | 0      | 1/0    | x              | x       | x                            | x       | SW_Inx              |                                   |

### 6.3 Additional Operation Modes IOx Ports

#### Open drain output mode

The IOx pin can also be used as normal open drain outputs. This mode can be switched on via the configuration register bits. In this mode the central current source (S1x and S3x) should not be applied to the open drain configured pin.

Because of the high voltage capability of the pin the current capability can be easily extended via an external pnp-transistor.

#### ADC input mode

Every IOx pin can also be used as analogue input signal for the integrated 10-bit ADC. Via the ADC\_CTL register the IOx pins can be selected to be used as ADC channel. See chapter 9 Analogue to digital converter for detailed description.

#### Interrupt capable input

In case external events should generate an interrupt the IOx pins can also be configured as an interrupt source. The interrupt sensitivity can be configured either for the falling or for the rising or for both edges. See chapter 10 Interrupts for a detailed description.

#### PWM Output

The eight available PWM channels can be applied to the corresponding IOx pin via the register PWM\_AD. For output of the PWM channels the pin must be configured in open drain configuration. See chapter 11 PWM Unit for a detailed description.

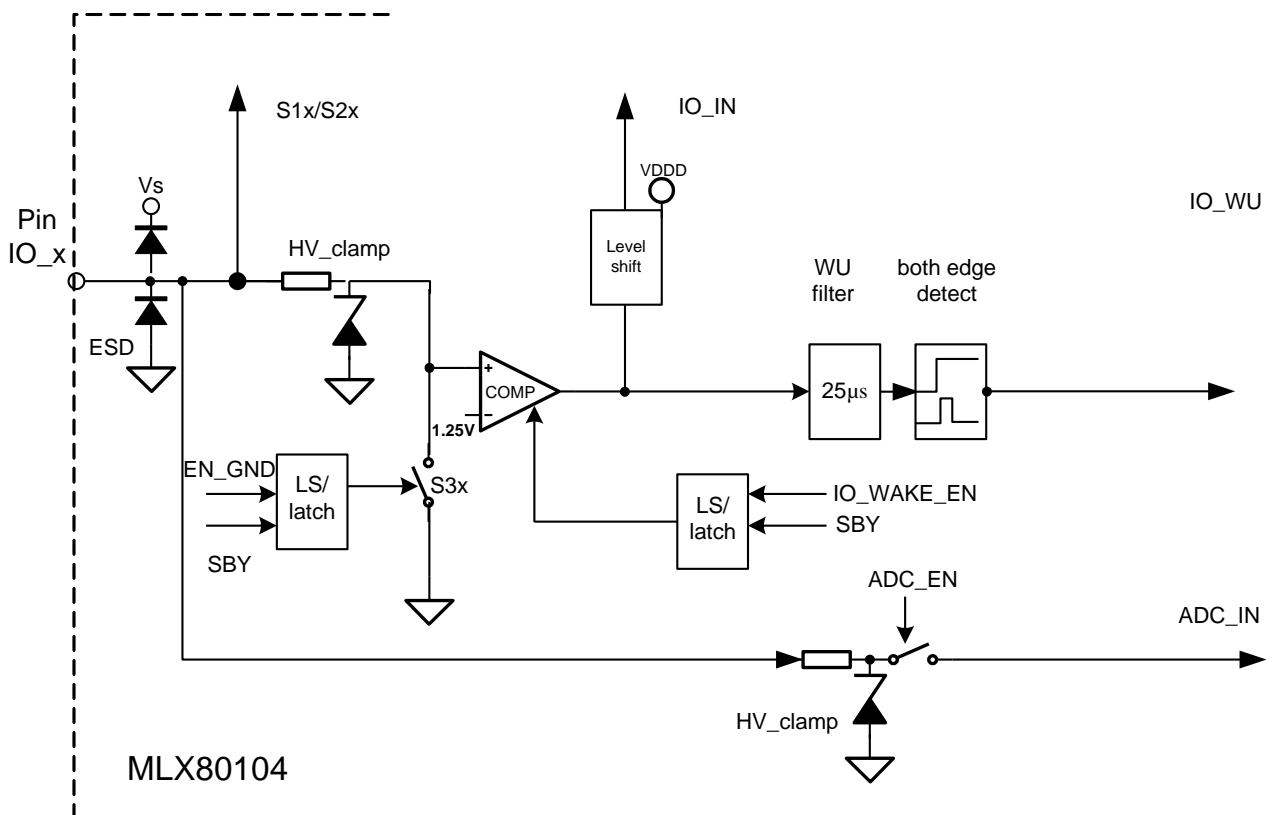


Figure 12 - Structure of IOx pins



Table 19 - Active mode configuration overview IOx pins

| Mode                      | IOx_S1 <sup>1</sup> | IOx_S2 <sup>1</sup> | IOx_S3 <sup>2</sup> | IOx_EN <sup>3</sup> | IOx_IRQ <sup>4</sup> | ADCMUXx <sup>5</sup> | PWMx_y <sup>6</sup> | DIAG_S1 <sup>7</sup> | DIAG_S2 <sup>7</sup> | Input result        | Remark                            |
|---------------------------|---------------------|---------------------|---------------------|---------------------|----------------------|----------------------|---------------------|----------------------|----------------------|---------------------|-----------------------------------|
| Tristate                  | 0                   | 0                   | 0                   | 0                   | x                    | 0                    | 0                   | x                    | x                    | -                   |                                   |
| Central pull up current   | 1                   | 0                   | 0                   | 0                   | x                    | 0                    | 0                   | x                    | x                    | SWIN_PU             | Low side switch or matrix columns |
| Central pull down current | 0                   | 1                   | 0                   | 0                   | x                    | 0                    | 0                   | x                    | x                    | SWIN_PD             | High side switch                  |
| Matrix row connection     | 0                   | 0                   | 1                   | 0                   | x                    | 0                    | 0                   | x                    | x                    | SWIN_PU             |                                   |
| Diagnosis 1               | 1/0                 | 1/0                 | 0                   | 0                   | x                    | 0                    | 0                   | 1                    | 0                    | SWIN_PU/<br>SWIN_PD | Switch diagnosis                  |
| Diagnosis 2               | 1/0                 | 1/0                 | 0                   | 0                   | x                    | 0                    | 0                   | 0                    | 1                    | SWIN_PU/<br>SWIN_PD | Switch diagnosis                  |
| Digital Input             | 0                   | 0                   | 0                   | 1                   | 0                    | 0                    | 0                   | x                    | x                    | IO_INx              |                                   |
| Interrupt Input           | 0                   | 0                   | 0                   | 1                   | 1                    | 0                    | 0                   | x                    | x                    | IO_IRQx<br>IO_INx   |                                   |
| ADC Input                 | 0                   | 0                   | 0                   | 0                   | x                    | 1                    | 0                   | x                    | x                    | ADC result          |                                   |
| Open drain output         | 0                   | 0                   | 1                   | 1/0                 | x                    | 0                    | 0                   | x                    | x                    | IO_INx              |                                   |
| Open drain PWM Output     | 0                   | 0                   | 1                   | 0                   | x                    | 0                    | 1                   | x                    | x                    | -                   |                                   |

<sup>1</sup> Central current source enable register  
<sup>2</sup> Open drain output configuration register IOx  
<sup>3</sup> Input comparator register IOx  
<sup>4</sup> Interrupt register IOx  
<sup>5</sup> ADC channel selection register  
<sup>6</sup> PWM channel selection register  
<sup>7</sup> Central current source configuration register

## 6.4 The IREF pin

This pin provides a calibrated pull up current from the VS supply. This output current can be used for generation of an external reference or supply voltage by using an external bipolar transistor.

An Application Note “External supply regulator using the IREF pin” is available at Softdist.

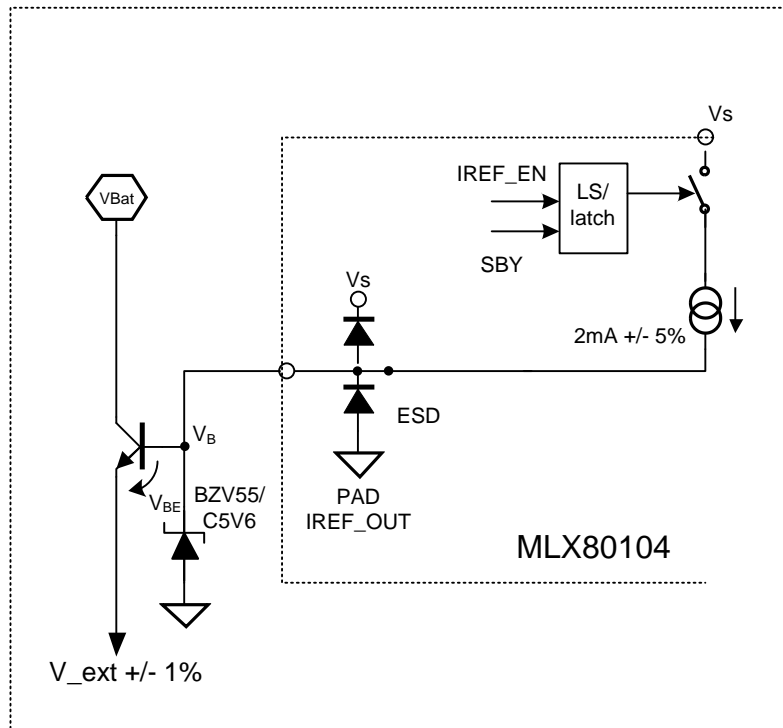


Figure 13 - Sample circuitry for IREF pin

For increasing the accuracy of the  $V_{ext}$  voltage at higher loads a zener diode can be placed at the base of the transistor.  $V_{ext} = V_B - V_{BE}$

Via the central current source diagnose register the IREF current can be switched on/off.

The voltage at this pin can be monitored via the internal ADC channel IREF

### Central current source configuration register

| Address | Name      | Bit7 | Bit6 | Bit5 | Bit4 | Bit3    | Bit2    | Bit1    | Bit0 |
|---------|-----------|------|------|------|------|---------|---------|---------|------|
| 0xC01E  | SW_CONFIG | -    | -    | -    | -    | IREF_EN | DIAG_S2 | DIAG_S1 | -    |

IREF\_EN      Switch IREF PIN on/ff (0=off)  
 DIAG\_S2     Configure central pull down current source to 10..20% of nominal value for switch diagnosis  
 DIAG\_S1     Configure central pull up current source to 10..20% of nominal value for switch diagnosis

## 7. Clock System

### 7.1 RC-Oscillator

The main oscillator is a 12MHz RC oscillator, which will be trimmed under software control according to the stored calibration value in the EEPROM. The frequency can be trimmed from 8MHz up to 14MHz.

After Reset the RC oscillator is calibrated with the default reset value 0x00. The RC oscillator will be calibrated during production process to 12MHz  $\pm$ 5%. The calibration value will be stored in the EEPROM and the software initialisation routine must set this value in the system configuration register (See 16.2 Initialising the System) after start up.

### 7.2 Crystal Oscillator

In case an external 12MHz resonator or crystal is connected, it is possible to select this oscillator as system clock by setting the XTAL\_ON bit in the external clock source register. The loading capacitors are not a part of the IC and must be added externally.

The start-up of the IC will always be done with the internal RC Oscillator. The XTAL oscillator can be switched on and off via the SEL\_XTAL register. The settling time has to be taken into account, before under software control the XTAL oscillator will be selected as system clock for the IC.

#### External clock source register – system protected register

| Address | Name     | Bit7 | Bit6 | Bit5 | Bit4 | Bit3 | Bit2 | Bit1 | Bit0    |
|---------|----------|------|------|------|------|------|------|------|---------|
| 0xE02E  | SEL_XTAL | -    | -    | -    | -    | -    | -    | -    | XTAL_ON |

XTAL\_ON      Selection of external clock source  
 0 = Use internal RC oscillator (reset value)  
 1 = Use external clock source

The clock switching will be done fully synchronous and therefore the switching doesn't generate spikes or disturbances to the CPU.

The external XTAL oscillator must be connected to IO2 and IO5. In this case, the IO2 and IO5 must be configured as tristate and can't be used for any other function.

## 8. Watchdog System

The MLX80104/5 is equipped with two different watchdog systems. One digital programmable window watchdog and one completely independent operating analogue Watchdog are available.

### 8.1 Analogue Watchdog

The analogue Watchdog is intended to fulfil application requirements where a completely independent clock source from the CPU is demanded for the watchdog system. Therefore an analogue system is used for this function.

This system is based on charging/discharging an external capacity. For definition of the watchdog time an external capacitor must be connected to the pin AWD. Together with a fixed loading current source inside of the IC, the Watchdog time can be adjusted to any application needs.

The Watchdog will be started automatically after reset. Once this has been done after the power on, the Watchdog cannot be stopped anymore. The Watchdog is stopped during sleep mode and is enabled again after every return from wakeup or power on reset.

#### Watchdog acknowledge register – system protected register

| Address | Name   | Bit7 | Bit6 | Bit5 | Bit4 | Bit3 | Bit2 | Bit1    | Bit0 |
|---------|--------|------|------|------|------|------|------|---------|------|
| 0xE028  | IO_AWD | -    | -    | -    | -    | -    | -    | AWD_ACK | -    |

AWD\_ACK      Writing “1” Acknowledge the analogue watchdog

Writing a “1” to the AWD\_ACK bit loads the external capacitor to the upper threshold and restarts the unloading time. This bit will be cleared automatically after charging of the watchdog capacity is done. Software cannot read back the value.

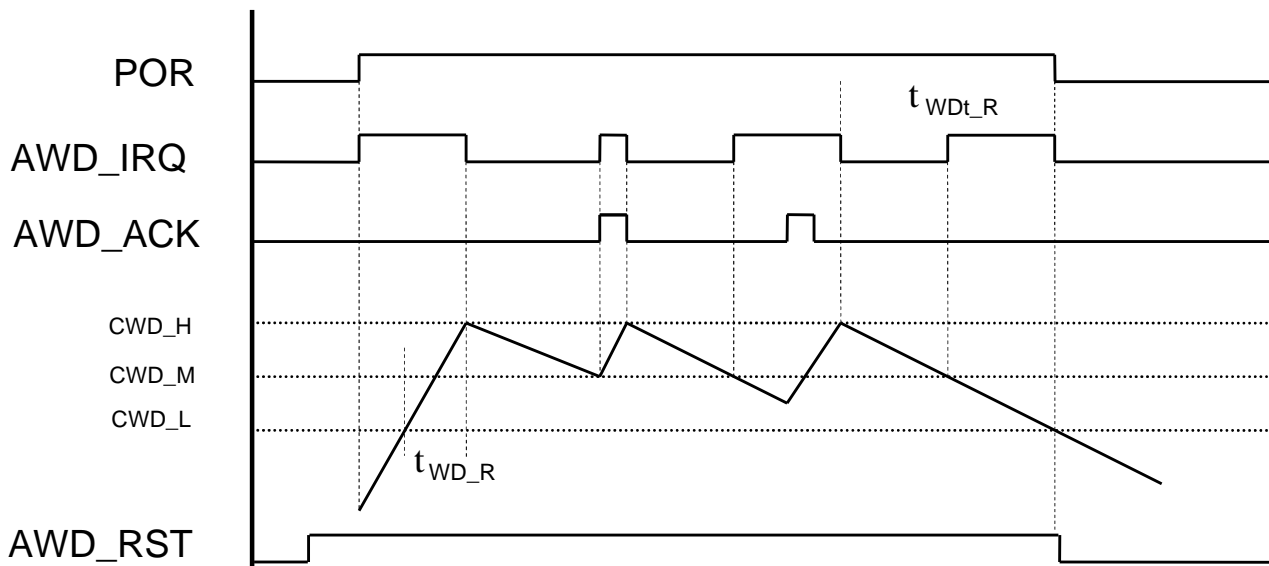


Figure 14 - Analogue watchdog behaviour

### 8.1.1. Using the analogue WDOG

If the Watchdog has been started by power on reset, the capacitor voltage on AWD pin ramps up until the upper voltage level is reached. After that, the current source of WDOG reverts to unload the capacitor. On half of the Watchdog time it generates precondition status information via an external watchdog interrupt request to the CPU. This request can be used to store sensitive data into non-volatile memory and to continue without restarting WDOG. It is not allowed to use this interrupt to trigger the watchdog!

The Watchdog must be acknowledged before the CWD\_L voltage is reached, otherwise a system shutdown will be performed. This system shutdown ends with a POR.

### 8.1.2. Timing definition

The watchdog time is defined by the external capacitor connected to the AWD pin. The value of this capacitor can be calculated as follows:

$$t_{\text{WDt}_R} [\text{ms}] = \text{WD}[\text{nF}] \quad \text{and} \\ t_{\text{WD}_R} [\text{ms}] = 0.1 * \text{WD} [\text{nF}]$$

Example:

$$\text{WD} = 10\text{nF} \rightarrow t_{\text{WDt}_R} = 10\text{ms} \text{ und } t_{\text{WD}_R} = 1\text{ms}$$

The complete watchdog period will be for this example: 10ms+1ms=11ms

## 8.2 Digital Window Watchdog

The Mulan digital watchdog has 3 possible behaviors and is running on a 12MHz clock. It is described in the next chapters.

Important:

After reset the intelligent watchdog is disabled. Bootstrap code should enable it as needed.

### Timer watchdog description

In this mode, the watchdog is a free-running up counter that can be reset by software. When it reaches a predefined timeout value, a watchdog reset is generated (RST\_WD\_IT). Software must therefore periodically clear this counter to avoid a CPU reset. As interrupt RST\_WD\_IT is also generated at power on reset, reading bit WD\_BOOT of register CONTROL can be used to find out which source has generated it (WD\_BOOT = 1 in case it is the watchdog).

### Window watchdog description

In the window mode clearing the counter is only authorized within a time window starting at half the predefined timeout value. In case a clear is done outside the window (e.g. before half the timeout delay), a RST\_WD\_IT interrupt is generated (WD\_BOOT = 1). At the end of the window an interrupt is generated (not a reset). That interrupt also starts a new waiting sequence which is stopped when the software clears the free-running up counter. If the software has not cleared the counter after a given time, a RST\_WD\_IT interrupt is generated.

### Intelligent watchdog description

This watchdog operates in a completely different way. It supposes the software allocates for a given task a given provision of time and a tag. This amount of time is programmable and can be changed. The tag can represent a state of the software. Once this time is elapsed, it generates an interrupt (not a reset). The software must check if the new state of the program is coherent with the tag saved, and then reload a new couple of time and tag. The interrupt generated also starts a new waiting sequence that is cleared when the software updates the couple time and tag (i.e. when the interrupt is serviced). If the software has not updated the couple time and tag after a given time, a RST\_WD\_IT interrupt is generated.

### 8.3 Watchdog Register

#### Watchdog Tag Register

| Address | Name   | Bit7        | Bit6 | Bit5 | Bit4 | Bit3 | Bit2 | Bit1 | Bit0 |
|---------|--------|-------------|------|------|------|------|------|------|------|
| 0xC004  | WD_TAG | WD_TAG[7:0] |      |      |      |      |      |      |      |

WD\_TAG[7:0] Tag value to be used for intelligent Watchdog mode

#### Watchdog Control Register

| Address | Name   | Bit7 | Bit6 | Bit5  | Bit4  | Bit3 | Bit2 | Bit1 | Bit0 |
|---------|--------|------|------|-------|-------|------|------|------|------|
| 0xC003  | WDCTRL | ERR  | WND  | MODE1 | MODE0 | -    | -    | DIV1 | DIV0 |

ERR Watchdog access error (read only, clear on read)  
WND Window Watchdog Value (read only)  
MODE[1:0] Definition of Watchdog behaviour  
    00 Disabled  
    01 Timer Watchdog  
    10 Window Watchdog  
    11 Intelligent Watchdog  
DIV[1:0] Watchdog clock divider, definition of watchdog clock (OSC=187kHz)  
    00 OSC/8  
    01 OSC/32  
    10 OSC/128  
    11 OSC/512

#### Watchdog Timer Register

| Address | Name | Bit7     | Bit6 | Bit5 | Bit4 | Bit3 | Bit2 | Bit1 | Bit0 |
|---------|------|----------|------|------|------|------|------|------|------|
| 0xC002  | WDT  | WDT[7:0] |      |      |      |      |      |      |      |

WDT[7:0] Watchdog timeout value, function depends on selected mode

## 9. Analogue to digital converter

### 9.1 General Description

The ADC10 is a 10-bit analogue-to-digital converter, which utilizes successive approximation technique with an internal sample and hold circuit.

The pins IO0 ... IO7 can be used as ADC input. In addition the voltage on pin IREF and VS can be monitored via ADC. Please have a look to section 9.2 for information about the input divider.

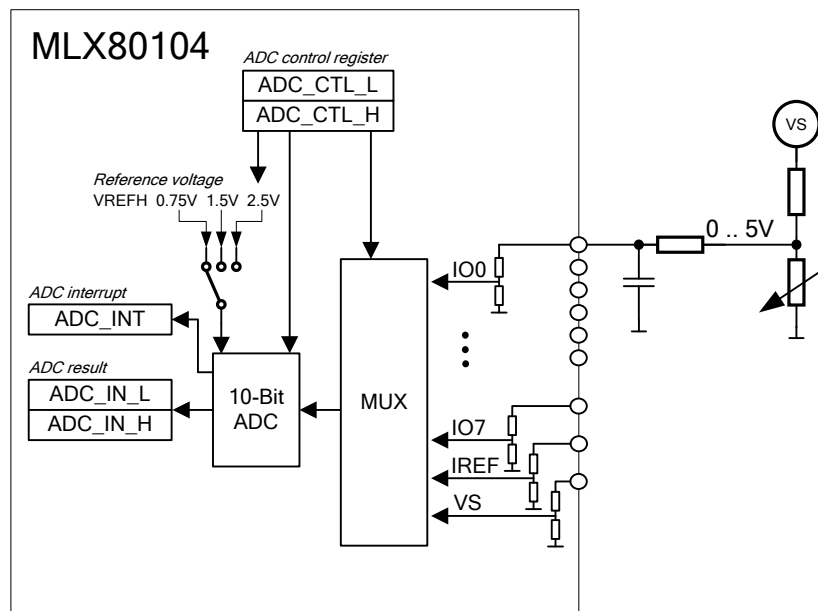


Figure 15 - ADC components

The reference voltage VREFH is based on the internal bandgap reference and is applied to the DAC after power on. In accordance to the linear input voltage range of the analogue input pins the default value of VREFH is 2.5V. To improve the maximum resolution of the measurement, the reference voltage can be adapted to VREFH=1.5V as well as 750mV. The maximum theoretical resolution (1LSB) can be calculated by

$$VREFH_{min} / 1024 = 0.75V / 1024 = 732\mu V.$$



## 9.2 Input divider

The following table illustrates the input divider on the pins, the possible maximal input voltage and resolution for the different ADC reference voltages.

| Pin      | Divider | Ref 0.75V         |            | Ref 1.5V          |            | Ref 2.5V          |            |
|----------|---------|-------------------|------------|-------------------|------------|-------------------|------------|
|          |         | Max input voltage | Resolution | Max input voltage | Resolution | Max input voltage | Resolution |
| IO0..IO7 | 2       | 1.5V              | 732μV      | 3V                | 1.46mV     | 5V                | 2.44mV     |
| IREF     | 4       | 3V                | 2.93mV     | 6V                | 5.86mV     | 10V               | 9.77mV     |
| VS       | 14      | 10.5V             | 10.25mV    | 21V               | 20.51mV    | 35V               | 34.18mV    |

Table 20 - ADC Input divider

## 9.3 Accuracy of the reference

The maximum reference voltage VREFH is generated by an amplified bandgap voltage. This voltage is divided by a resistor divider with a dividing error better than 1% to generate 1.5V or 750mV as reference voltage. The value of the reference voltage can be selected by the ADC\_CTL register.

The best accuracy can be calculated by:

$$VREFH_{min} \pm (\text{MinStepsize} / \text{divider factor}) = 750\text{mV} \pm 1\text{mV}$$

This value contains the gain and offset failure of the amplifier chain and the deviation of the resistor network. The overall deviation of the output voltage is defined by the accuracy at room temperature, the temperature gradients of the bandgap reference and the offset voltage of the amplifier (approximately +/- 1.5% from -40...150°C.) This results in a total deviation of

$$VREFH_{min} \pm (\text{minStepsize} + (1.5\% * VREFH_{max})) / \text{divider factor} = 750\text{mV} \pm 16\text{mV}$$

The absolute error of the measured input voltage additionally depends on the distance of the maximum input voltage to VREFHmax.

Example:

$$VREFH = 750\text{mV}$$

$$V_{in\_max} = 100\text{mV} \text{ (e.g. shunt measurement)}$$

$$\text{Maximum absolute error: } V_{in\_err\_max} = ((VREFH / V_{in\_max}) \times VREFH_{ToL\_max}) \pm 1\text{LSB} = \pm 2.5\text{mV}$$

## 9.4 ADC Register

### ADC result register

| Address | Name     | Bit7         | Bit6 | Bit5 | Bit4 | Bit3 | Bit2 | Bit1         | Bit0 |
|---------|----------|--------------|------|------|------|------|------|--------------|------|
| 0xC00B  | ADC_IN_H | -            | -    | -    | -    | -    | -    | ADC_R [9..8] |      |
| 0xC00A  | ADC_IN_L | ADC_R [7..0] |      |      |      |      |      |              |      |

ADC\_R            Result of ADC conversion

### ADC selection register

| Address | Name      | Bit7 | Bit6 | Bit5 | Bit4 | Bit3   | Bit2 | Bit1 | Bit0 |
|---------|-----------|------|------|------|------|--------|------|------|------|
| 0xC009  | ADC_CTL_H | VREF |      |      | -    | ADCMUX |      |      |      |

VREF            ADC reference voltage selection  
 000b   off      010b   1.5V  
 001b   2.5V    100b   750V

ADCMUX        ADC channel selection

|       |                                      |       |   |
|-------|--------------------------------------|-------|---|
| 0000b | off                                  | 0101b | IO4, divided by 2, 3µs sampling time  |
| 0001b | IO0, divided by 2, 3µs sampling time | 0110b | IO5, divided by 2, 3µs sampling time  |
| 0010b | IO1, divided by 2, 3µs sampling time | 0111b | IO6, divided by 2, 3µs sampling time  |
| 0011b | IO2, divided by 2, 3µs sampling time | 1000b | IO7, divided by 2, 3µs sampling time  |
| 0100b | IO3, divided by 2, 3µs sampling time | 1001b | Vs, divided by 14, 10µs sampling time, 500mV error, Switched off during standby |
|       |                                      | 1010b | IREF, voltage at IREF pin, divided by 4, 3µs sampling time                      |

### ADC configuration register

| Address | Name      | Bit7 | Bit6 | Bit5 | Bit4 | Bit3 | Bit2 | Bit1 | Bit0  |
|---------|-----------|------|------|------|------|------|------|------|-------|
| 0xC008  | ADC_CTL_L | BUSY | -    | -    | -    | -    | -    | FAST | START |

START            If set it starts the ADC conversion  
 FAST            Selection of conversion clock  
 0                slow clock - conversion time 10µs  
 1                fast clock – conversion time 5µs  
 BUSY            ADC conversion in progress

## 10. Interrupts

Table 21 - shows all available interrupts in the MLX80104/5.

Column “Pos” represents the interrupt input position in the interrupt controller.

Column “Abs” represents the absolute priority of the input.

Column “Rel” represents the relative priority for inputs having an identical absolute priority.

Column “type” defines which instruction will be issued by the interrupt controller in case of interrupt.

| Description                       | Priority |     |     |      | Notes | Ports     |          |          |
|-----------------------------------|----------|-----|-----|------|-------|-----------|----------|----------|
|                                   | Pos      | Abs | Rel | Type |       | PRIO      | MASK     | PEND     |
| Reset + Watchdogs Reset           | 0        | 0   | 0   | Jump | 1,3,4 |           |          |          |
| Stack error                       | 1        | 0   | 1   | Jump | 1,3,4 |           |          |          |
| Protection error                  | 2        | 0   | 2   | Call | 2,3,4 |           |          |          |
| Invalid address                   | 3        | 0   | 3   | Call | 2,3,4 |           |          |          |
| Program error                     | 4        | 0   | 4   | Call | 2,3,4 |           |          |          |
| Exchange request                  | 5        | 1   | 0   | Call | 3,5   |           | MASK[0]  | PEND[0]  |
| Task reset                        | 6        | 1   | 1   | Call | 3     |           | MASK[1]  | PEND[1]  |
| Watchdog attention                | 7        | 1   | 2   | Call |       |           | MASK[2]  | PEND[2]  |
| Mutex                             | 8        | 2   | 0   | Call |       |           | MASK[3]  | PEND[3]  |
| Signal, Handshake, Event, [Mutex] | 9        | 5   | 0   | Call |       |           | MASK[4]  | PEND[4]  |
| Timer                             | 10       | 3-6 | 0   | Call |       | PRIO[1:0] | MASK[5]  | PEND[5]  |
| ADC end of conversion             | 11       | 3-6 | 1   | Call |       | PRIO[3:2] | MASK[6]  | PEND[6]  |
| End of EEPROM Write/Erase         | 12       | 3-6 | 2   | Call |       | PRIO[5:4] | MASK[7]  | PEND[7]  |
| Pin change interrupt IOx          | 13       | 3-6 | 3   | Call |       | PRIO[7:6] | MASK[8]  | PEND[8]  |
| External Watchdog interrupt       | 14       | 3-6 | 4   | Call |       | PRIO[9:8] | MASK[9]  | PEND[9]  |
| Software interrupt                | 15       | 7   | 0   | Call |       |           | MASK[10] | PEND[10] |

Notes:

1: Abort current instruction

2: Abort current instruction ►Return is **NOT** possible

3: No disable possible

4: Priority 0 can only be reached in system mode

5: For conformance test

Table 21 - Interrupt inputs

Reminder:

The highest priority is 0 and the lowest is 7.

The absolute priority is compared to Mlx16 priority to trigger an interrupt

The relative priority is used by interrupt controller to decide between identical absolute priority interrupts fired at the same time: Lowest is issued first.

Note:

The level 0 of priority is not reachable in user mode. When Mlx16-8 sets priority to 0 in user mode, it is interpreted as priority 1 by the interrupt controller.

### 10.1 Interrupt vectors

Table 22 - Interrupt vectors shows the interrupt vectors table as well as the type of interrupt generated (call or jump). They all use Far Page 0 (e.g. top of the ROM). See example of Fp0 in Table 6.

| Description                       | Priority |     |     |      | Interrupt vector |             |
|-----------------------------------|----------|-----|-----|------|------------------|-------------|
|                                   | Pos      | Abs | Rel | Type | Addr             | Name        |
| Reset + Watchdogs Reset           | 0        | 0   | 0   | Jump | Fp0:80           | RST_WD_IT   |
| Stack error                       | 1        | 0   | 1   | Jump | Fp0:88           | STACK_IT    |
| Protection error                  | 2        | 0   | 2   | Call | Fp0:90           | PROT_ERR_IT |
| Invalid address                   | 3        | 0   | 3   | Call | Fp0:98           | INV_AD_IT   |
| Program error                     | 4        | 0   | 4   | Call | Fp0:A0           | PROG_ERR_IT |
| Exchange request                  | 5        | 1   | 0   | Call | Fp0:A8           | EXCHANGE_IT |
| Task reset                        | 6        | 1   | 1   | Call | Fp0:B0           | TASK_RST_IT |
| Watchdog attention                | 7        | 1   | 2   | Call | Fp0:B8           | WD_ATT_IT   |
| Mutex                             | 8        | 2   | 0   | Call | Fp0:C0           | M4_MUTEX_IT |
| Signal, Handshake, Event, [Mutex] | 9        | 5   | 0   | Call | Fp0:C8           | M4_SHE_IT   |
| Timer                             | 10       | 3-6 | 0   | Call | Fp0:D0           | TIMER_IT    |
| ADC end of conversion             | 11       | 3-6 | 1   | Call | Fp0:D8           | ADC_IT      |
| End of EEPROM Write/Erase         | 12       | 3-6 | 2   | Call | Fp0:E0           | EE_IT       |
| Pin change interrupt              | 13       | 3-6 | 3   | Call | Fp0:E8           | EXT0_IT     |
| External watchdog interrupt       | 14       | 3-6 | 4   | Call | Fp0:F0           | EXT1_IT     |
| Software interrupt                | 15       | 7   | 0   | Call | Fp0:F8           | SOFT_IT     |

Table 22 - Interrupt vectors

### 10.2 Priority port

The port PRIO defines the priority level of 4 interrupt inputs. It is divided in 4 be fields of 2 bits. The correspondence between each field value is shown on Table 23.

| Priority field | Absolute Priority |
|----------------|-------------------|
| 00             | 3                 |
| 01             | 4                 |
| 10             | 5                 |
| 11             | 6                 |

Table 23 - PRIO port encoding

### 10.3 Interrupt mask and pending ports

A mask bit at 0 (value at reset) masks an interrupt input, while a mask bit at 1 makes it visible to the Mlx16. Note that with a mask at 0 it is still possible to check if the interrupt input is set by reading the corresponding pending bit.

The interrupt pending bit is set when the interrupt occurs, the Mlx16 cannot write into this port to simulate an interrupt. Writing in this port is used for clearing the pending bit, which discards the corresponding interrupt. As writing a 1 in any pending bit clears it while writing a 0 does nothing, you can clear one or more interrupt bits in one shot, by example writing 0x0001 in PEND port clear the interrupt 5, while writing 0x7FF clear all interrupts from 5 to 15.

### Pending interrupt register

| Address | Name   | Bit7  | Bit6   | Bit5     | Bit4      | Bit3        | Bit2      | Bit1        | Bit0        |
|---------|--------|-------|--------|----------|-----------|-------------|-----------|-------------|-------------|
| 0xE009  | PEND_H | -     | -      | -        | -         | -           | SOFT_IT   | EXT1_IT     | EXT0_IT     |
| 0xE008  | PEND_L | EE_IT | ADC_IT | TIMER_IT | M4_SHE_IT | M4_MUTEX_IT | WD_ATT_IT | TASK_RST_IT | EXCHANGE_IT |

For abbreviation please see Table 22.

### Interrupt mask register

| Address | Name   | Bit7  | Bit6   | Bit5     | Bit4      | Bit3        | Bit2      | Bit1        | Bit0        |
|---------|--------|-------|--------|----------|-----------|-------------|-----------|-------------|-------------|
| 0xE007  | MASK_H | -     | -      | -        | -         | -           | SOFT_IT   | EXT1_IT     | EXT0_IT     |
| 0xE006  | MASK_L | EE_IT | ADC_IT | TIMER_IT | M4_SHE_IT | M4_MUTEX_IT | WD_ATT_IT | TASK_RST_IT | EXCHANGE_IT |

For abbreviation please see Table 22.

### Interrupt priority register

| Address | Name   | Bit7    | Bit6    | Bit5  | Bit4  | Bit3   | Bit2   | Bit1    | Bit0    |
|---------|--------|---------|---------|-------|-------|--------|--------|---------|---------|
| 0xE005  | PRIO_H | -       | -       | -     | -     | -      | -      | EXT1[1] | EXT1[0] |
| 0xE004  | PRIO_L | EXT0[1] | EXT0[0] | EE[1] | EE[0] | ADC[1] | ADC[0] | TMR[1]  | TMR[0]  |

Further information can be found in Table 21.

|           |  |
|-----------|--|
| EXT1[1:0] | Priority of <i>external watchdog</i> interrupt         |
| EXT0[7:0] | Priority of <i>pin change</i> interrupt                |
| EE[1:0]   | Priority of <i>end of EEPROM Write/Erase</i> interrupt |
| ADC[1:0]  | Priority of <i>ADC end of conversion</i> interrupt     |
| TMR[1:0]  | Priority of <i>Timer</i> interrupt                     |

## 10.4 High level system interrupts

### 10.4.1. Reset interrupt and watchdogs

This interrupt is generated at power on reset or if the intelligent watchdog asks for a reset. Take care that the priority is not reset in the Mlx16, so this interrupt routine must start with instruction "MOV UPR, #0".

### 10.4.2. Stack error

A stack error occurs when the Mlx16 uses the stack pointer to access an invalid or an unauthorized area. No protection error or invalid address interrupt is generated. Obviously this interrupt uses a jump and does not push the program counter into the stack.

### 10.4.3. Exception error

There are 3 interrupts due to software errors on the Mlx16: a protection error, an invalid address or a program error. These interrupts are at level 0, therefore you **cannot** return to the interrupted program. The program counter value pushed on the stack can **only** be used for debugging purpose. The device reaction after this failure condition must be done in the ISR and depends on the application requirements. It is possible to release a RESET, switch to sleep mode or program and endless loop to keep stable behaviour of the device.

### 10.4.4. Protection error

A protection error interrupt happens when the Mlx16 attempts an unauthorized access or to clear the user bit (Mlx16 M register). Here is an exhaustive list of possible causes:

- Write in user mode in the EEPROM.
- Access to EEPROM while it is busy (EE\_BUSY=1).
- Write in port EEPROM while it is busy (EE\_BUSY=1).
- Write in system mode in EEPROM while EN\_EEPROM\_WE is 0
- ADC conversion request while ADC is busy (ADC\_BUSY=1)
- Write in ANA\_OUTx ports while corresponding OUTx\_WE bit of port CONTROL is 0.
- Write in the Mlx4 RAM private area.
- Write in user mode into a system port.
- Access error in the Intelligent Watchdog
- Clear the user bit (try to enter system mode) not after a jump or call far page.

### 10.4.5. Invalid address

An invalid address interrupt occurs when the Mlx16 does an invalid memory access. Here is an exhaustive list of possible causes:

- Read, write or fetch a word at an odd address
- Read, write or fetch into an unused area
- Write a byte or a bit in EEPROM
- Write a bit in a digital port supporting only word or byte.
- Fetch into port area

### 10.4.6. Program error

A program error occurs when the Mlx16 tries to execute an invalid Mlx16 instruction. Typically, it means that Mlx16 has an invalid value in its program counter (PC).

### **10.5 Debugger interrupt**

This interrupt is intended to be used together with the Emulator.

### **10.6 Pin change Interrupt**

This interrupt will be used to react on change pin IOx status. The edge sensitivity can be programmed in the interrupt register (See 6.1.4 Configuration Register IOx). For the interrupt generation, the IOx will be debounced with 3us. After the debouncing the interrupt will be generated and the interrupt request is stored for every channel in the IRQ register.

### **10.7 External Watchdog interrupt**

This interrupt is requested if the analogue watchdog has reached half of the Watchdog time period. See chapter 8 Watchdog System for details.

### **10.8 Software interrupt**

It is possible to trigger a low priority interrupt by software setting bit SWI of port SWI to 1 the port bit is automatically reset after one clock period, so it will always be re-read as a 0.

## 11. PWM Unit

### 11.1 General

There are 8 PWM channels available. They share a common 8 bits free running counter with an input clock being either a 750kHz clock or a 12MHz divided by a programmable divider from 1 to 64. The duty cycle for each PWM channel can be set separately via PWM data register. The available PWM channels can be output to an IOx pin in low side configuration. The selection must be done via the PWM\_AD register.

To calculate the correct initialisation value for the PWM control register Equation 1 to Equation 4 are valid. Additionally, in Table 24 you will find all possible PWM frequencies and the corresponding parameters for the PWM control register.

Every IOx pin has its own PWM duty cycle register. To address this register 1st the channel must be selected via PWM channel register (0xC011). After this selection the duty cycle can be written to the PWM duty cycle register (0xC012). After this procedure, the programmed cycle will be output on IOx pin if the pin is configured as open drain output and the PWM block is enabled (Bit PWM\_EN in the PWM control register 0xC010).

Because the PWM is running with the CPU frequency, the accuracy is better than  $\pm 5\%$  of the nominal PWM frequency.

### 11.2 Block Diagram

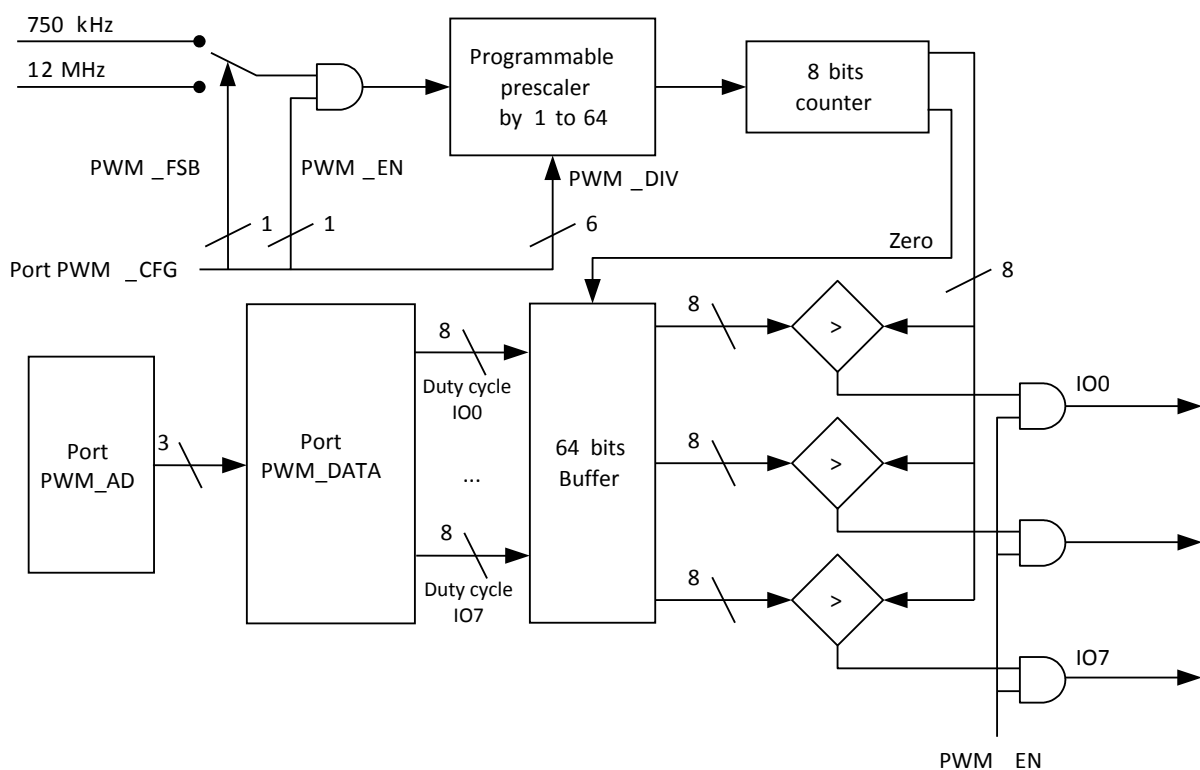


Figure 16 - PWM unit



### 11.3 PWM frequency calculation

Depending on the needed PWM frequency you have to choose the right equation. In case the frequency is in the range of 45Hz to 2.9kHz, Equation 3 is valid. And in case the frequency is in the range of 0.72kHz to 46kHz, Equation 4 is the right one.

$$F_{PWM} [kHz] = \frac{750kHz}{(PWM\_DIV + 1) \cdot 256}$$

Equation 1 - PWM frequency for PWM\_FSB=0

$$F_{PWM} [MHz] = \frac{12MHz}{(PWM\_DIV + 1) \cdot 256}$$

Equation 2 - PWM frequency for PWM\_FSB=1

$$PWM\_DIV = \frac{750kHz}{(F_{PWM} [kHz] \cdot 256)} - 1$$

Equation 3 - Parameter PWM\_DIV for frequencies in the range of 45.1 .. 2929.7Hz (PWM\_FSB=0)

$$PWM\_DIV = \frac{12MHz}{(F_{PWM} [MHz] \cdot 256)} - 1$$

Equation 4 - Parameter PWM\_DIV for frequencies in the range of 721.2 .. 46875Hz (PWM\_FSB=1)

### 11.4 PWM Control Register

#### PWM channel selection

| Address | Name   | Bit7 | Bit6 | Bit5 | Bit4 | Bit3 | Bit2 | Bit1   | Bit0 |
|---------|--------|------|------|------|------|------|------|--------|------|
| 0xC011  | PWM_AD | -    | -    | -    | -    |      |      | PWMSEL |      |

|        |      |                                     |
|--------|------|-------------------------------------|
| PWMSEL | 000b | Address duty cycle register for IO0 |
|        | 001b | Address duty cycle register for IO1 |
|        | 010b | Address duty cycle register for IO2 |
|        | 011b | Address duty cycle register for IO3 |
|        | 100b | Address duty cycle register for IO4 |
|        | 101b | Address duty cycle register for IO5 |
|        | 110b | Address duty cycle register for IO6 |
|        | 111b | Address duty cycle register for IO7 |

#### Duty cycle register

| Address | Name           | Bit7           | Bit6 | Bit5 | Bit4 | Bit3 | Bit2 | Bit1 | Bit0 |
|---------|----------------|----------------|------|------|------|------|------|------|------|
| 0xC012  | PWM_DATA_WRITE | PWM_DATA_WRITE |      |      |      |      |      |      |      |
| 0xC013  | PWM_DATA_READ  | PWM_DATA_READ  |      |      |      |      |      |      |      |

|                |  |
|----------------|--|
| PWM_DATA_WRITE | 8-bit duty cycle value for selected PWM channel (for writing new duty cycle value) |
| PWM_DATA_READ  | For reading the current duty cycle   |

**PWM control register**

| Address | Name    | Bit7   | Bit6    | Bit5    | Bit4 | Bit3 | Bit2 | Bit1 | Bit0 |
|---------|---------|--------|---------|---------|------|------|------|------|------|
| 0xC010  | PWM_CTL | PWM_EN | PWM_FSB | PWM_DIV |      |      |      |      |      |

PWM\_EN      Enable/Disable PWM generation  
                  1 = Enable          0 = Disable

PWM\_FSB      Selection between input clock of 750kHz or 12MHz  
                  0 = 750kHz          1 = 12MHz

PWM\_DIV      Programmable pre-divider 1 to 64

### 11.5 Available PWM Frequencies

Following PWM frequencies are configurable via the PWM Control Register PWM\_CTL on page 58.

| PWM Frequency in Hz | PWM_CTL [5:0] | FSB | DIV | PWM Frequency in Hz | PWM_CTL [5:0] | FSB | DIV | PWM Frequency in Hz | PWM_CTL [5:0] | FSB | DIV |
|---------------------|---------------|-----|-----|---------------------|---------------|-----|-----|---------------------|---------------|-----|-----|
| 45.8                | 0x3F          | 0   | 63  | 139.5               | 0x14          | 0   | 20  | 1171.9              | 0x28          | 1   | 39  |
| 46.5                | 0x3E          | 0   | 62  | 146.5               | 0x13          | 0   | 19  | 1201.9              | 0x27          | 1   | 38  |
| 47.3                | 0x3D          | 0   | 61  | 154.2               | 0x12          | 0   | 18  | 1233.6              | 0x26          | 1   | 37  |
| 48.0                | 0x3C          | 0   | 60  | 162.8               | 0x11          | 0   | 17  | 1266.9              | 0x25          | 1   | 36  |
| 48.8                | 0x3B          | 0   | 59  | 172.3               | 0x10          | 0   | 16  | 1302.1              | 0x24          | 1   | 35  |
| 49.7                | 0x3A          | 0   | 58  | 183.1               | 0x0F          | 0   | 15  | 1339.3              | 0x23          | 1   | 34  |
| 50.5                | 0x39          | 0   | 57  | 195.3               | 0x0E          | 0   | 14  | 1378.7              | 0x22          | 1   | 33  |
| 51.4                | 0x38          | 0   | 56  | 209.3               | 0x0D          | 0   | 13  | 1420.5              | 0x21          | 1   | 32  |
| 52.3                | 0x37          | 0   | 55  | 225.4               | 0x0C          | 0   | 12  | 1464.8              | 0x01          | 0   | 1   |
| 53.3                | 0x36          | 0   | 54  | 244.1               | 0x0B          | 0   | 11  | 1464.8              | 0x20          | 1   | 31  |
| 54.3                | 0x35          | 0   | 53  | 266.3               | 0x0A          | 0   | 10  | 1512.1              | 0x1F          | 1   | 30  |
| 55.3                | 0x34          | 0   | 52  | 293.0               | 0x09          | 0   | 9   | 1562.5              | 0x1E          | 1   | 29  |
| 56.3                | 0x33          | 0   | 51  | 325.5               | 0x08          | 0   | 8   | 1616.4              | 0x1D          | 1   | 28  |
| 57.4                | 0x32          | 0   | 50  | 366.2               | 0x07          | 0   | 7   | 1674.1              | 0x1C          | 1   | 27  |
| 58.6                | 0x31          | 0   | 49  | 418.5               | 0x06          | 0   | 6   | 1736.1              | 0x1B          | 1   | 26  |
| 59.8                | 0x30          | 0   | 48  | 488.3               | 0x05          | 0   | 5   | 1802.9              | 0x1A          | 1   | 25  |
| 61.0                | 0x2F          | 0   | 47  | 585.9               | 0x04          | 0   | 4   | 1875.0              | 0x19          | 1   | 24  |
| 62.3                | 0x2E          | 0   | 46  | 732.4               | 0x03          | 0   | 3   | 1953.1              | 0x18          | 1   | 23  |
| 63.7                | 0x2D          | 0   | 45  | 732.4               | 0x40          | 1   | 63  | 2038.0              | 0x17          | 1   | 22  |
| 65.1                | 0x2C          | 0   | 44  | 744.0               | 0x3F          | 1   | 62  | 2130.7              | 0x16          | 1   | 21  |
| 66.6                | 0x2B          | 0   | 43  | 756.0               | 0x3E          | 1   | 61  | 2232.1              | 0x15          | 1   | 20  |
| 68.1                | 0x2A          | 0   | 42  | 768.4               | 0x3D          | 1   | 60  | 2343.8              | 0x14          | 1   | 19  |
| 69.8                | 0x29          | 0   | 41  | 781.3               | 0x3C          | 1   | 59  | 2467.1              | 0x13          | 1   | 18  |
| 71.5                | 0x28          | 0   | 40  | 794.5               | 0x3B          | 1   | 58  | 2604.2              | 0x12          | 1   | 17  |
| 73.2                | 0x27          | 0   | 39  | 808.2               | 0x3A          | 1   | 57  | 2757.4              | 0x11          | 1   | 16  |
| 75.1                | 0x26          | 0   | 38  | 822.4               | 0x39          | 1   | 56  | 2929.7              | 0x00          | 0   | 0   |
| 77.1                | 0x25          | 0   | 37  | 837.1               | 0x38          | 1   | 55  | 2929.7              | 0x10          | 1   | 15  |
| 79.2                | 0x24          | 0   | 36  | 852.3               | 0x37          | 1   | 54  | 3125.0              | 0x0F          | 1   | 14  |
| 81.4                | 0x23          | 0   | 35  | 868.1               | 0x36          | 1   | 53  | 3348.2              | 0x0E          | 1   | 13  |
| 83.7                | 0x22          | 0   | 34  | 884.4               | 0x35          | 1   | 52  | 3605.8              | 0x0D          | 1   | 12  |
| 86.2                | 0x21          | 0   | 33  | 901.4               | 0x34          | 1   | 51  | 3906.3              | 0x0C          | 1   | 11  |
| 88.8                | 0x20          | 0   | 32  | 919.1               | 0x33          | 1   | 50  | 4261.4              | 0x0B          | 1   | 10  |
| 91.6                | 0x1F          | 0   | 31  | 937.5               | 0x32          | 1   | 49  | 4687.5              | 0x0A          | 1   | 9   |
| 94.5                | 0x1E          | 0   | 30  | 956.6               | 0x31          | 1   | 48  | 5208.3              | 0x09          | 1   | 8   |
| 97.7                | 0x1D          | 0   | 29  | 976.6               | 0x02          | 0   | 2   | 5859.4              | 0x08          | 1   | 7   |
| 101.0               | 0x1C          | 0   | 28  | 976.6               | 0x30          | 1   | 47  | 6696.4              | 0x07          | 1   | 6   |
| 104.6               | 0x1B          | 0   | 27  | 997.3               | 0x2F          | 1   | 46  | 7812.5              | 0x06          | 1   | 5   |
| 108.5               | 0x1A          | 0   | 26  | 1019.0              | 0x2E          | 1   | 45  | 9375.0              | 0x05          | 1   | 4   |
| 112.7               | 0x19          | 0   | 25  | 1041.7              | 0x2D          | 1   | 44  | 11718.8             | 0x04          | 1   | 3   |
| 117.2               | 0x18          | 0   | 24  | 1065.3              | 0x2C          | 1   | 43  | 15625.0             | 0x03          | 1   | 2   |
| 122.1               | 0x17          | 0   | 23  | 1090.1              | 0x2B          | 1   | 42  | 23437.5             | 0x02          | 1   | 1   |
| 127.4               | 0x16          | 0   | 22  | 1116.1              | 0x2A          | 1   | 41  | 46875.0             | 0x01          | 1   | 0   |
| 133.2               | 0x15          | 0   | 21  | 1143.3              | 0x29          | 1   | 40  |                     |               |     |     |

Table 24 - Configurable PWM Frequencies

## 12. Timer

The timing generation principle is shown on Figure 17.

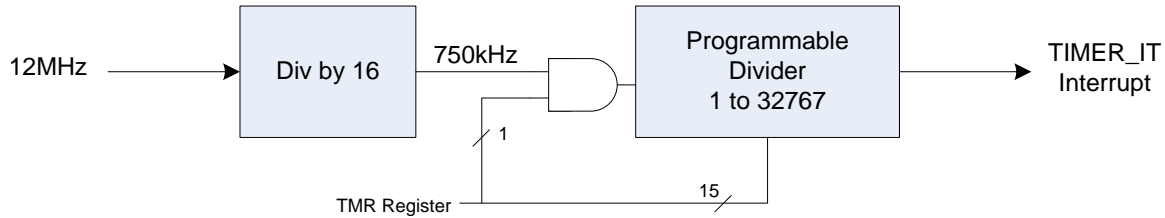


Figure 17 - Block Diagram of Timer

A 15 bits free running counter clocked by 750kHz is available to generate TIMER\_IT interrupt at a rate varying from 1.33µs (TIMER [14:0] = 0) to 43.689ms (TIMER [14:0] = 32767). The timer is made of a down counting loadable binary counter. It is enabled by TMR\_EN (bit 15) of TMR register. Once enabled each time it reaches 0x0000; it is reloaded by the value of TMR register TMR [14:0] and generates a TIMER\_IT interrupt. Reading register TMR reads the current value of the counter when TMR\_EN = 1 or an unknown value when TMR\_EN = 0.

Because the timer is running with the CPU frequency, the accuracy is better than ±5% of the nominal value.

### Timer Register

| Address | Name    | Bit7     | Bit6       | Bit5 | Bit4 | Bit3 | Bit2 | Bit1 | Bit0 |
|---------|---------|----------|------------|------|------|------|------|------|------|
| 0xC007  | TIMER_H | TMR_EN   | TMR [14:8] |      |      |      |      |      |      |
| 0xC006  | TIMER_L | TMR[7:0] |            |      |      |      |      |      |      |

TMR\_EN      Enable/Disable Timer  
                  1 = Enable      0 = Disable  
 TMR            15-bit Timer value

### 12.1 Timer Calculation

The TMR value for the TIMER register can be calculated with Equation 5, where Timer\_Period is the time between the timer interrupts in µs.

$$TMR[14:0] = \frac{Timer\_Period[\mu s] \cdot 12MHz}{16}$$

Equation 5 - Calculation of the TMR parameter

## 13. LIN Interface

### 13.1 The Concept

The LIN protocol is implemented on a MULAN core on the MLX4 part. The complete MLX16 part is free for the application. With this dual core architecture the bus communication is decoupled from the application. The complete LIN driver running on the MLX4 is part of the software development system and will be supported by Melexis. The communication between both CPUs is done via an API. This API uses the common RAM area for data exchange. The application task (running on MLX16) transmits all necessary LIN configuration data via the API to the LIN task (running on MLX4) during the initialization process. Further information can be found in the document “MelexCM LIN Firmware API - Programmer’s Reference Manual”.

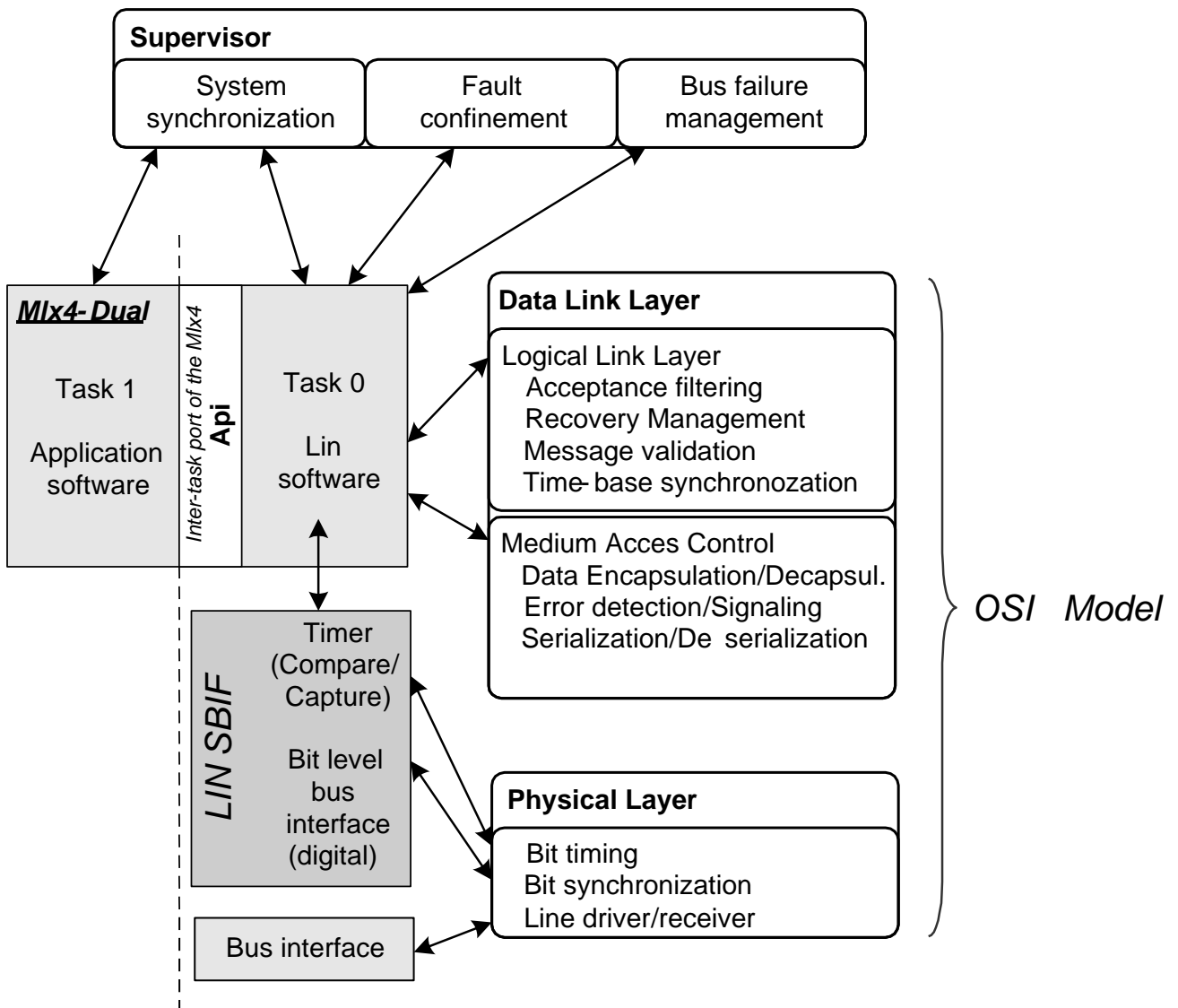


Figure 18 - LIN OSI-Reference model

### 13.2 LIN Physical Layer

The MLX80104/5 contains an integrated physical layer for applications of low speed vehicle serial data network communication using the Local Interconnect Network (LIN) protocol. The device is designed in accordance to the physical layer definition of the LIN Protocol Specification Package 2.x and the SAE J2602 standard. The corresponding baudrate and slew rate can be set via API commands.

The sleep mode capability allows a shutdown of the whole application. The included wake-up function detects incoming dominant bus messages and wakes up the IC.

Because of the good symmetry parameter of the transceiver the communication with RC based synchronization accuracy is possible under all worst case conditions in Vbat - or Ground shift, even in case of recessive bus voltages down to 5V.

#### RxD debounce

The RxD debouncing circuit and the integrated low pass filter in the receiver path prevent RxD spikes in case of RF interferences and schaffner pulses to guarantee a correct sampling of the master request.

#### TxD timeout

A special feature is the TxD timeout. In case of a faulty blocked TxD (MLX or LIN controller crash) the Bus output is switched off automatically after the specified TxD timeout reaction time to prevent a dominant bus. The transmission is continued by next TxD L to H transition without delay.

#### Undervoltage lockout

An undervoltage lockout comparator detects an unspecified decrease of the regulated supply voltage VAUX. This measurement covers both, unspecified overload on VAUX and unspecified decrease of VS. It's an additional factor of safety against undefined bus behaviour. To prevent a transmission interrupt due to Schaffner or RF modulation a debounce filter is used for spike suppression.

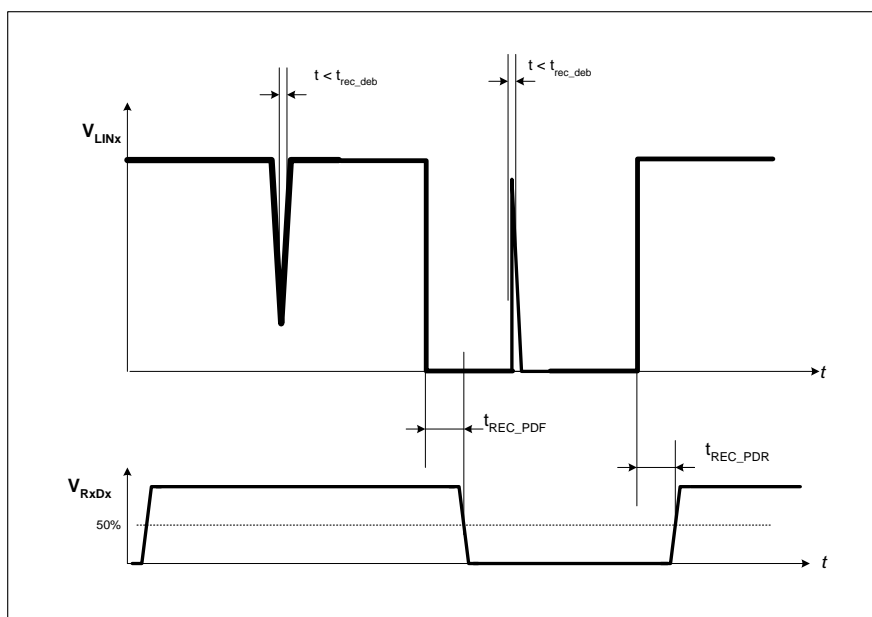
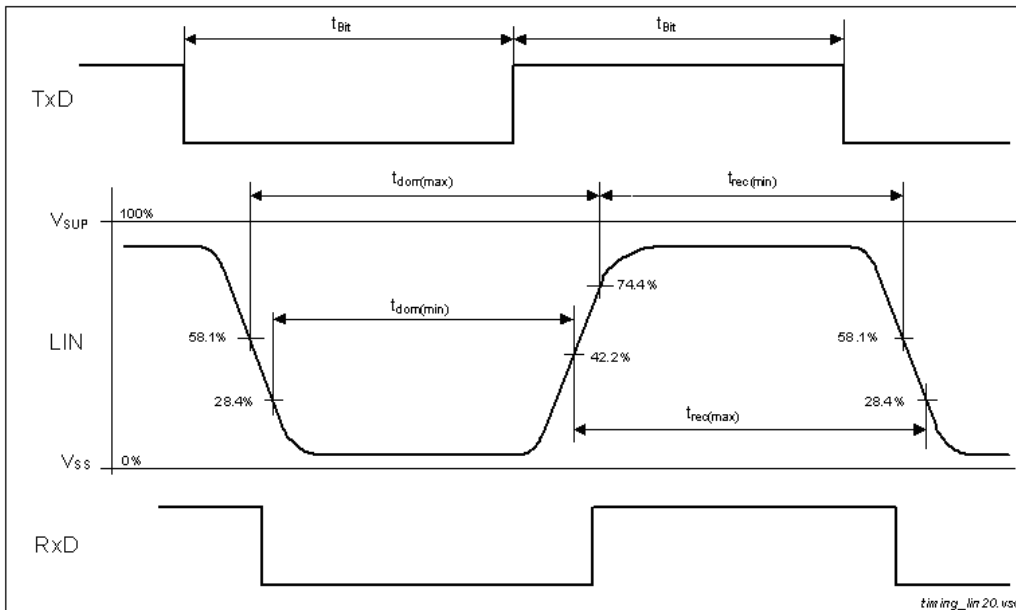


Figure 19 - Receiver debouncing & propagation delay

**Duty cycle calculation LIN 2.x**

With the timing parameters shown in the picture below two duty cycles , based on  $t_{rec(min)}$  and  $t_{rec(max)}$  can be calculated as follows :  $t_{Bit} = 50\mu s$  **D1** =  $t_{rec(min)} / (2 \times t_{Bit})$   
**D2** =  $t_{rec(max)} / (2 \times t_{Bit})$



*Table 25 - Duty cycle measurement and calculation in accordance to LIN physical layer specification 2.x for baud rates up to 20Kbps*

**Duty cycle calculation J2602:**

With the timing parameters shown in the table below two duty cycles , based on  $t_{rec(min)}$  and  $t_{rec(max)}$  can be calculated as follows :  $t_{Bit} = 96\mu s$  **D3** =  $t_{rec(min)} / (2 \times t_{Bit})$   
**D4** =  $t_{rec(max)} / (2 \times t_{Bit})$

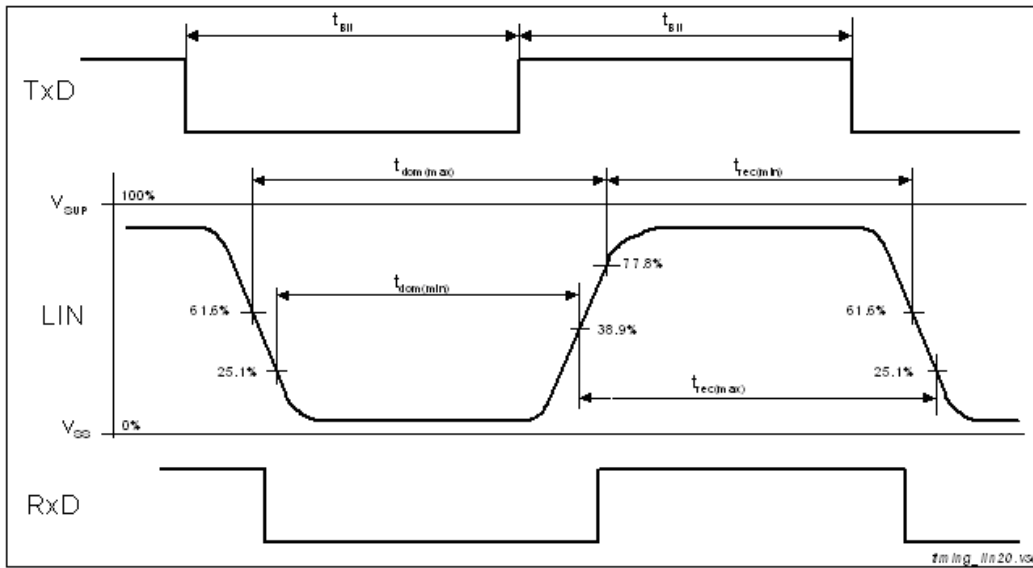


Table 26 - Duty cycle measurement and calculation in accordance to LIN physical layer specification 2.x for baud rates of 10.4Kbps or below



## 14. Sleep Mode and Wake up System

### 14.1 Entering Sleep Mode by API

A valid MLX80104/5 sleep command is used to switch into the most power saving mode under software control. In this mode all unnecessary function blocks are switched off to save the maximum possible current, keeping only some minimum parts alive, which will watch events or conditions for possible wakeup requests.

To enter Sleep Mode the following sequence has to be performed: Application software first takes care of saving any needed data into non-volatile memory, because Sleep Mode will force the system to switch off power supplies. Any register content of the CPU, the content of volatile memories, etc. will be lost.

Finally a HALTED command (set "EN\_HALTED" bit) has to be performed, which gives a signal to enter the sleep mode. Make sure that MLX4 is already halted otherwise the system cannot finish the power down procedure. This request starts the system shutdown process. This has to be the last action from the CPU. After sending this request the CPU has to stay in an infinite loop, waiting for system shutdown. This shutdown will be performed, even if incoming wakeup conditions should occur – which will be ignored as long as the system is not in sleep mode. This ensures that the system first shuts down and clears all CPU registers completely, to secure a defined restart into Power On state.

By receiving a HALTED Signal from the CPU the following sequence is performed from the MLX80104/5 itself:

- Analogue Watchdog is disabled
- All registers not required in sleep mode are cleared and contain their reset values.
- All registers containing configuration needed in sleep mode (i.e. enable bits for Wake Up sources etc.) keep their values
- The internal auxiliary supply is switched on to supply the wake-up comparators as well as the wake-up enable register

Any trimming value gets lost and must be restored within the software initialisation routine after wake-up. The digital supply as well as the analogue supply is switched off.

In Sleep Mode all IOs will be switched to tri-state (high-impedance).

### 14.2 Wake Up System

There are three possible ways to wake-up the MLX80104/5:

#### 14.2.1. LIN Bus

The LIN standby receiver detects any changing edge on the bus exceeding the wake up debouncing time of minimum 50us. The integrated filter prevents a wake up via EMC interferences.

#### 14.2.2. Local Wake-up

The second way to wake up the slave node is a local wake up condition. The input comparators detect any changing edge exceeding the wake up thresholds and the local wake up debouncing time of minimum 20us.

Every wake up detection set a wake up flag, the bandgap reference and the voltage regulators are switched on and the power on procedure starts. The information about a local wake up is stored in the status register.

#### 14.2.3. Internal Wake-up

The third way to wake-up is the configurable internal wake timer. After a configured time the MLX80104/5 is switched on. This mode is foreseen for observing applications with a very slow current consumption in user mode.

If local wake up capabilities are used, the leakage currents of the connected switches will increase the current consumption of the whole slave node.

## 15. Thermal Shutdown

A thermal overload of the MLX80104/5 may occur due to an increased power dissipation and high ambient temperature. Causes for the unspecific power dissipation may be:

- Short LIN to Vbat/Vs
- Shorted load at IO Pins
- IO loads too high

In case the chip temperature exceeds the specified limit, the THERMAL bit in the XIN register (see below) will be set to 1. This bit can be used for triggering the software to find the reason of the thermal problem. This can be done by disable SWx/IOx pins to check if the external circuitry causes the problem.

### Thermal Error Bit

| Address | Name | Bit7 | Bit6 | Bit5 | Bit4 | Bit3 | Bit2 | Bit1 | Bit0    |
|---------|------|------|------|------|------|------|------|------|---------|
| 0xC005  | XIN  | -    | -    | -    | -    | -    | -    | -    | THERMAL |

THERMAL      Thermal error bit  
 0 = **no** thermal error  
 1 = Thermal error

## 16. System behaviour

### 16.1 Reset behaviour

After connecting power to the VS pin the system will start operation. The on-chip supplies start after the defined minimum voltage level is reached on the VS pin. The system is in the RESET state as long as the supply voltage is below its minimum voltage level.

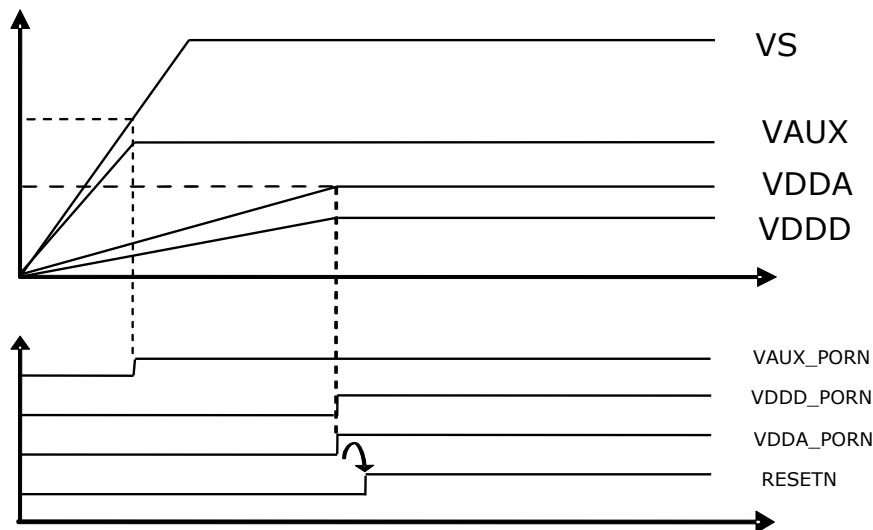


Figure 20 - Reset behaviour

The reset signal keeps the complete IC in reset state if the supply voltage is below the specified value. After reaching the minimum voltage level of the supply, the reset signal becomes inactive and the initialisation sequence is started. The RC-Oscillator is switched on with the lowest frequency and the CPU starts the initialisation.

### 16.2 Initialising the System

For correct system start-up some registers in the IO part must be restored after every RESET or WAKEUP by writing the values from reserved EEPROM addresses. These trim values have been stored during chip test. Overwriting these EEPROM memory addresses is prohibited otherwise the data for application needs is lost and the correct IC behaviour cannot be guaranteed in the specified range.

Start-up steps:

1. Trim the bandgap to the expected value (3bit),
2. Trim the RC to the expected frequency (7bit),
3. Trim the internal biasing to the expected current,
4. Trim the ADC reference to the expected voltage for every input range (7bit),
5. Trim the switch current (4bit),
6. Set the EEPROM delay time (4bit).

## System configuration register

| Address | Name       | Bit7       | Bit6      | Bit5 | Bit4      | Bit3      | Bit2 | Bit1     | Bit0 |
|---------|------------|------------|-----------|------|-----------|-----------|------|----------|------|
| 0xE021  | ANA_OUTC_H | reserved   | ADC-REF * |      |           |           |      |          |      |
| 0xE020  | ANA_OUTC_L | EN_XTAL    | RC_CALI * |      |           |           |      |          |      |
| 0xE01F  | ANA_OUTB_H | CU_TRIM *  |           |      | reserved  | BG_TRIM * |      |          |      |
| 0xE01E  | ANA_OUTB_L | reserved   |           |      | SW_TRIM * |           |      |          |      |
| 0xE01D  | ANA_OUTA_H | EE_DELAY * |           |      | reserved  |           |      |          |      |
| 0xE01C  | ANA_OUTA_L | reserved   |           |      |           |           |      | INT_WAKE |      |

|          |  |
|----------|--|
| EE_DELAY | Set the EEPROM programming time  |
| INT_WAKE | Control of internal timer controlled wake up                           |
|          | 00 off   |
|          | 01 wake up after 0.5s  |
|          | 02 wake up after 1s  |
|          | 03 wake up after 2s  |
| BG_TRIM  | Adjust bandgap   |
| CU_TRIM  | Adjust current references  |
| SW_TRIM  | Adjust switch current source   |
| ADC_REF  | Adjust reference voltage of ADC VREFH                                  |
| RC-CALI  | RC-Oscillator calibration  |
| EN_XTAL  | Enable use of external Quartz or Resonator as clock source for the MCU |
|          | 0 internal RC-Clock is used  |
|          | 1 Switch from RC to external   |

**Attention:** All values marked with “\*” are trimming values for analogue IC parameter. Those values must be kept after initialisation of the IC! Otherwise the IC will not operate correctly.

## 17. ROM Patches

In order to rapidly correct minor bugs in ROM a specific hardware has been added to replace up to four ROM spaces by EEPROM code. The principle is shown on Figure 21.

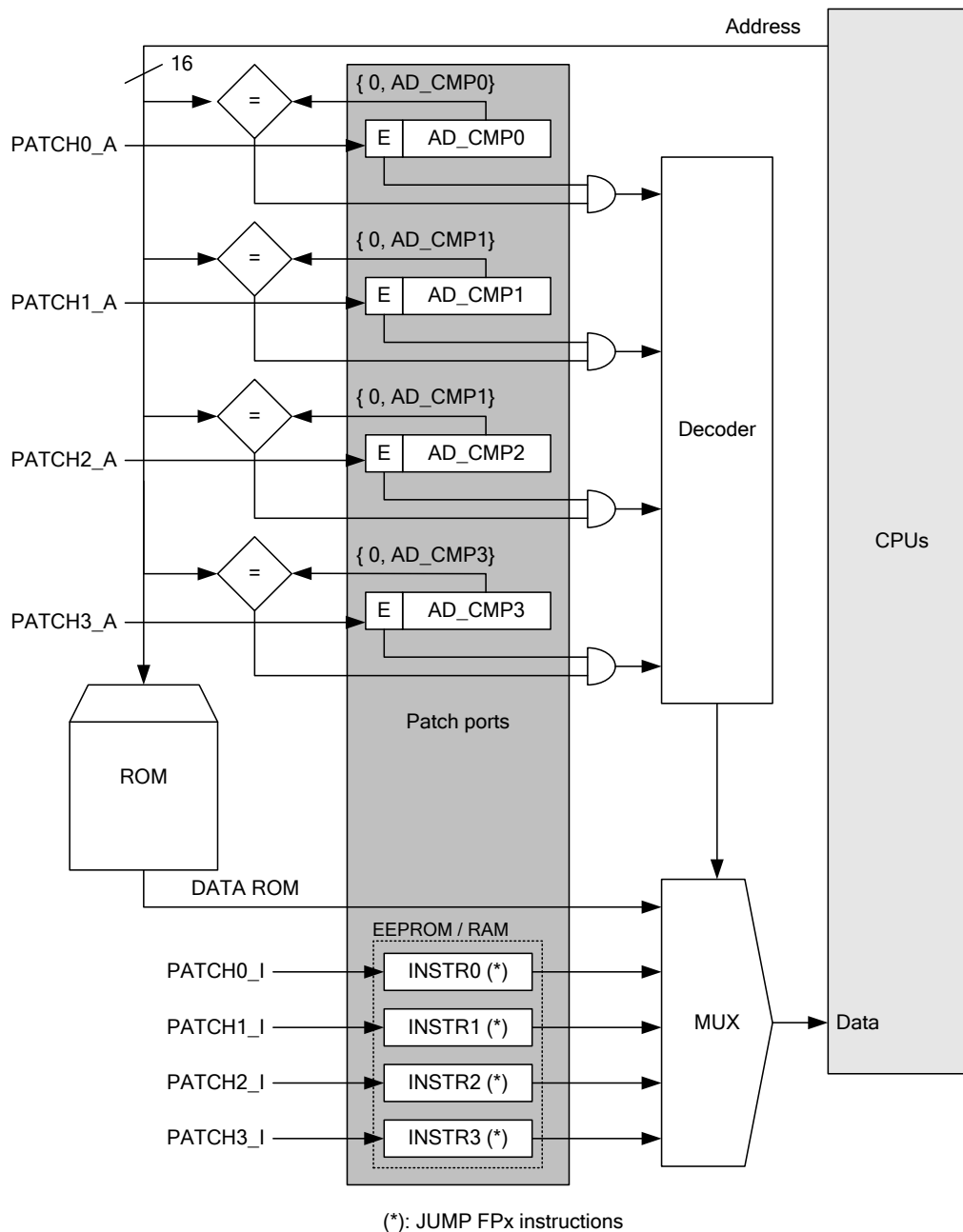


Figure 21 - Patch hardware

### 17.1 Principle of operation

There are 4 possible patch start addresses PATCHx\_A (x=0..3) available. In case the program counter (PC) of the CPU points to an address, which is equal to one of the PATCHx\_A ports (and the patch is enabled) the PC will be redirected to the address defined by the PATCHx\_I port.

The patch instruction can be located in the EEPROM or the RAM.

### 17.2 Patch start address

Initially the patches are disabled (Bit E=0). The Mlx16 ROM startup code must be written in a way that an EEPROM byte decides if patches must be applied. If yes, patch ports must be loaded. This operation must be done prior to any other to allow patch of any code.

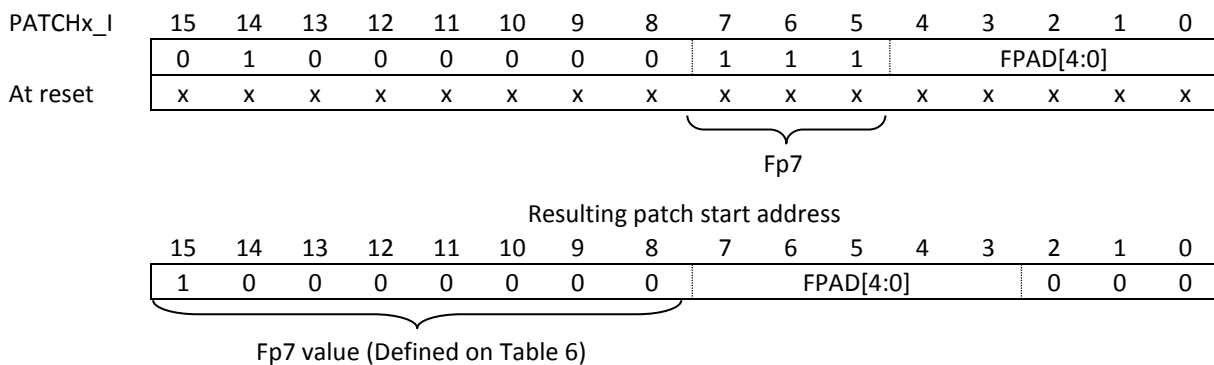
|          |    |               |    |    |    |    |   |   |   |   |   |   |   |   |   |   |
|----------|----|---------------|----|----|----|----|---|---|---|---|---|---|---|---|---|---|
| PATCHi_A | 15 | 14            | 13 | 12 | 11 | 10 | 9 | 8 | 7 | 6 | 5 | 4 | 3 | 2 | 1 | 0 |
|          | E  | AD_CMPO[14:0] |    |    |    |    |   |   |   |   |   |   |   |   |   |   |
| At reset | 0  | x             | x  | x  | x  | x  | x | x | x | x | x | x | x | x | x | x |

Port PATCHx\_A (x = 0 to 3) must be loaded with the address where the patch should start.

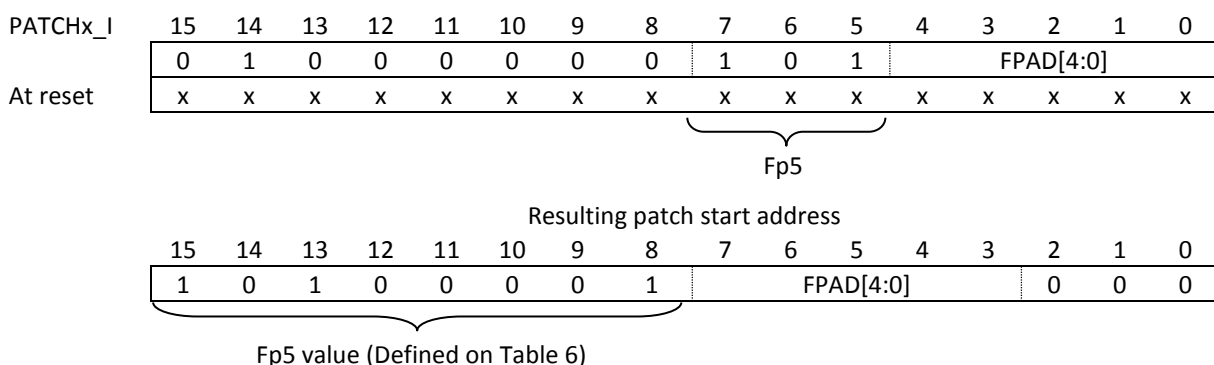
*Note:* This address is only 15 bits, but ROM is less than 32Kbytes.

### 17.3 Patch jump instruction

PATCHx\_I must be loaded with a special instruction (a jump into far page) and the address into the far page. Figure 22 shows a how to execute the patch in EEPROM while Figure 23 shows a how to execute the patch from RAM (it supposes RAM has been loaded before).



*Figure 22 - Patch code in EEPROM*



*Figure 23 - Patch code in RAM*

Notes:

- A patch can only start on an 8 bytes boundary.
- The last instruction of the patch must be a far jump back to the first correct ROM instruction.

Important:

The access time to EEPROM is longer than for ROM; therefore the execution time of the patched code will be a bit slower than the same code in executed from ROM.

Abnormal cases where two patches are at the same address but have different instruction is solved by giving priority to the lowest patch id. See examples below.

*Examples:*

If PATCH0\_A = PATCH1\_A, PATCH0\_I is used  
If PATCH0\_A = PATCH3\_A, PATCH0\_I is used  
If PATCH1\_A = PATCH2\_A = PATCH3\_A, PATCH1\_I is used

## 18. Application Hints

Further information regarding the use of the IO and SW pins can be found in the Application note “Standard input/output pin configurations”.

### 18.1 Application Examples

The SWx are used for connection to a switch matrix as well as for single switches to GND or VS

The IOx pins can be used for different purposes:

1. Single switch input connected to GND or VS incl. switch diagnostics
2. Rotating encoder input
3. General purpose digital input
4. Open drain high voltage capable output
5. ADC Input

The pin IREF, via an external bipolar transistor, is used to generate a 5V voltage to supply external pull up resistors.



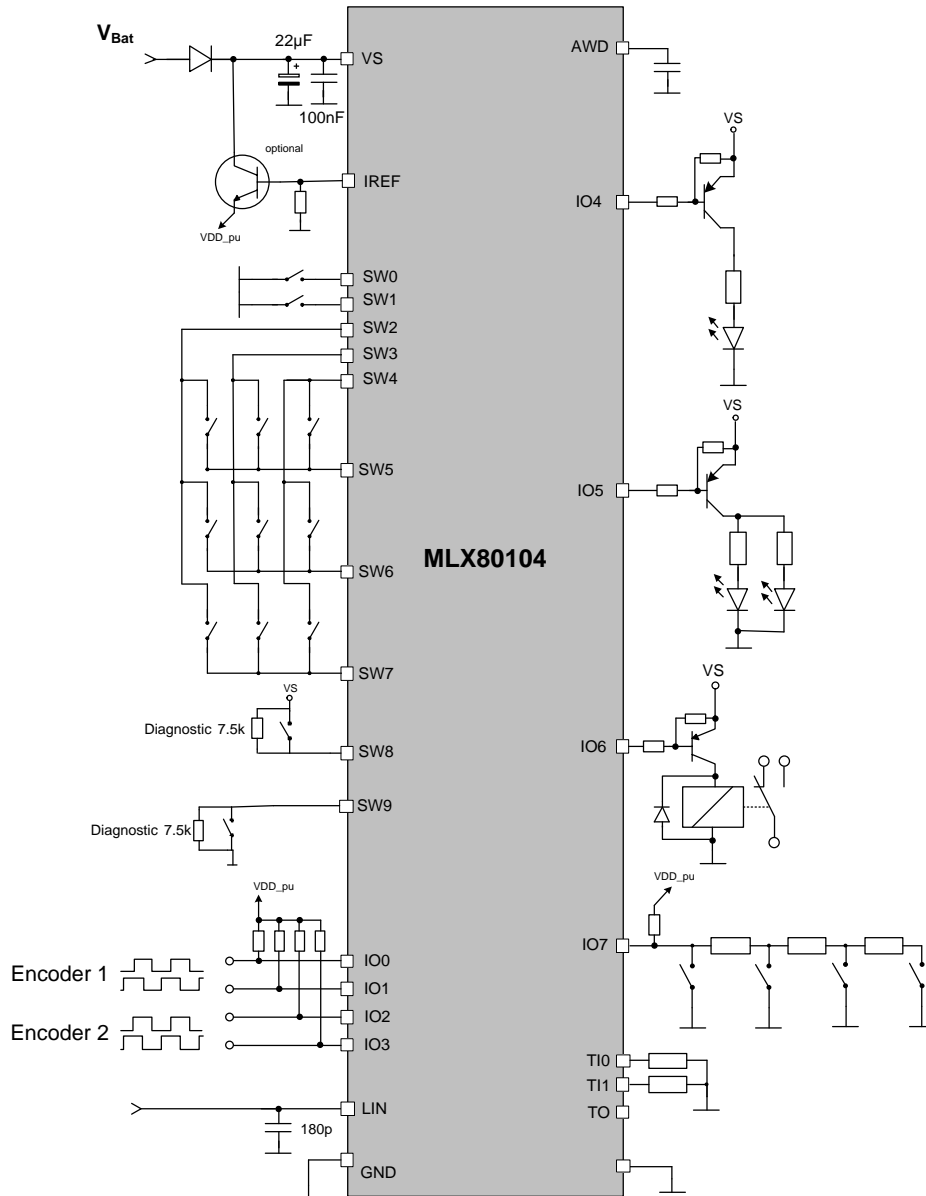


Figure 24 - Application schematic sample

### 18.1.1. Switch Matrix Hints

If more than two switches are closed at the same time, it can happen that reading the switches gives a wrong result. A “ghost” switch is detected, that means it will read out a certain switch is pressed, but this switch is not really pressed (See Figure 25). To avoid this effect, diodes can be used for decoupling the switches. The diodes prevent the fault current by a closed switch in another row.

**Note:** This wiring with diodes is only necessary if it is possible to press more than three switches at the same time.

**Example:** In a matrix without diodes (left example) the open switch 2b (“ghost” switch from left example) is recognized as closed. The closed switches 1b, 1c and 2c setup a wrong current path. This wrong path is prevented in the protected wiring (right example) by the diode 1c.

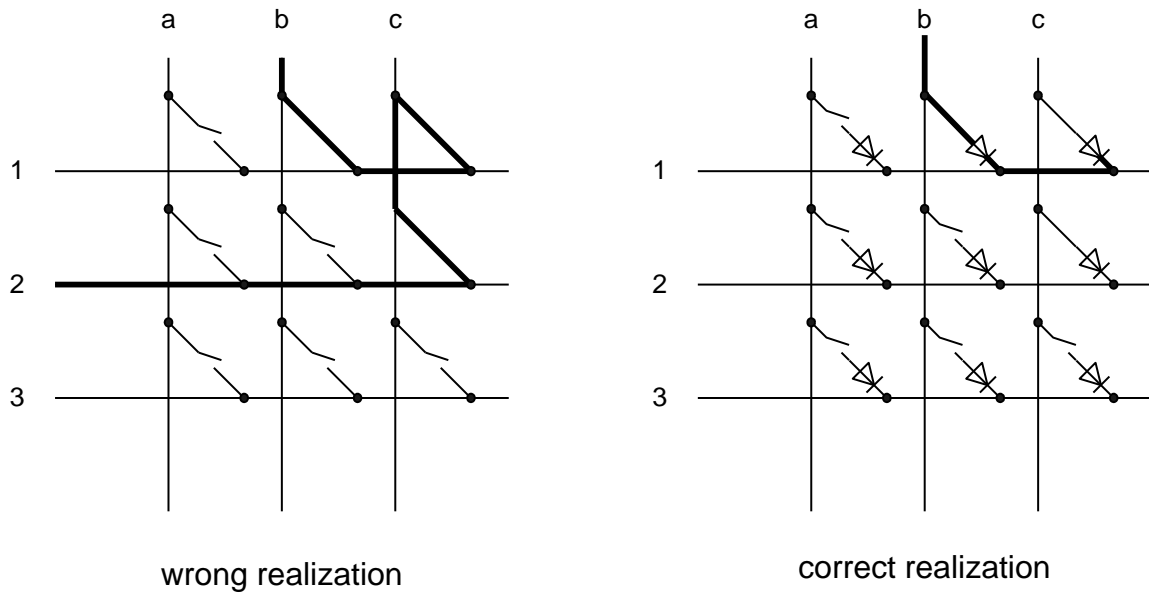


Figure 25 - Reading the switch matrix

## 19. Software Development

For software development a software development environment consisting of

- Compiler
- Linker
- Debugger
- User library
- LIN2.x / J2602 API

and a hardware development kit consisting of

- Evaluation board
- Emulator
- Application board

are available at Melexis. The kit description can be found in [4].

### 19.1 UniROM (80104 only)

Beside the software development at customer side a ready-to-use firmware, so called uniROM, is available. The uniROM firmware offers a ready to use application software which removes the need for new software development for new LIN applications. This Software can be configured to the need of different applications. Further information can be found in [1].

The main features are:

- LIN protocol specification according to LIN 2.x and J2602
- 19.2kBaud and 10.4kBaud transmission speed
- Up to 5 LIN configurable LIN frames:
  - Configurable data byte length
  - Configurable LIN identifier
  - Configurable communication direction (slave to master, master to slave)
  - Configurable data byte content on byte level
- Event triggered frame
- Go to sleep command
- Node configuration services
  - Assign NAD
  - Assign frame ID range
  - Assign frame ID (according LIN2.0)
  - Read by identifier
  - J2602 target reset
  - J2602 broadcast reset

- Error detection (Communication error (according LIN2.x), EEPROM error, Thermal overload error, under voltage error, over voltage error etc.)
- EEPROM user area for production data
- Hardware CRC to protect EEPROM data
- Internal 12MHz RC-oscillator. For higher accuracy an external resonator can be applied. But this is only necessary for slave to slave communication)
- Window watchdog and additional independent analog watchdog
- 18 configurable high voltage I/O pins which are ground shift tolerant and can be used as following:
  - Up to 18 switch inputs (low side or low side can be configured for each pin separately) ) incl. broken line detection
  - Switch matrix inputs (5x5, 5x4, 4x4, 4x3, 3x3, 3x2) incl. broken line detection
  - Up to 18 configurable open drain outputs
  - Up to eight 10bit ADC inputs
  - Up to 8 PWM outputs with common frequency between 45Hz ... 46,9kHz and different duty cycles for each output
  - Support of SMART Fets with current sense
  - Up to two rotary encoders supported
- Configurable debouncing times for switches
- Internal supply voltage measurement
- Configurable Wake up sources (LIN, switches, ADC)
- Software SPI and I<sup>2</sup>C-interface supported for controlling IO extension
- Constant current source output IREF (2mA) for building an external help supply

## 20. Programming Interface

The MLX80104/05 programming interface consists of the pins:

- Pin 6 - TO => output
- Pin 8 - TI0 => input 0
- Pin 7 - TI1 => input 1

TO is an open drain output. In case a third party programmer is used, an external pull-up resistor of 500Ohm against 3.3V to this pin is necessary. In case the Melexis Mini E-Mlx emulator with Melexis interface adapter or the PTC-04 is used, no extra pull-up resistor is needed.

Additionally it is necessary to connect the MLX80104/05 with the supply voltage Vs and to stop the analog watchdog by connecting AWD (Pin 21) with GND.

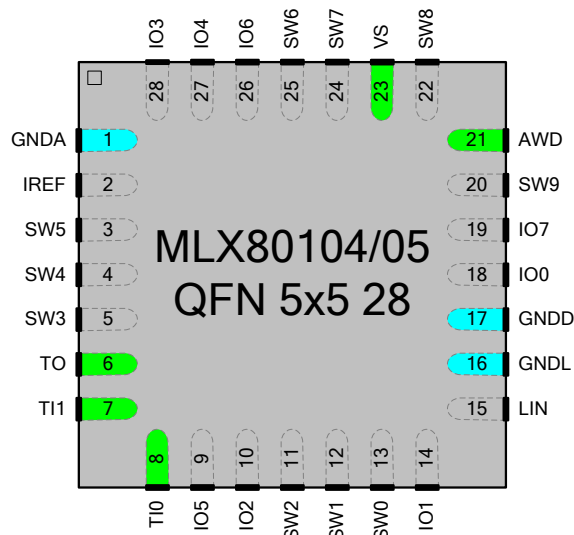


Figure 26 - Pin out MLX80104/05 – Top view

## 20.1 Characteristics for the interface pins

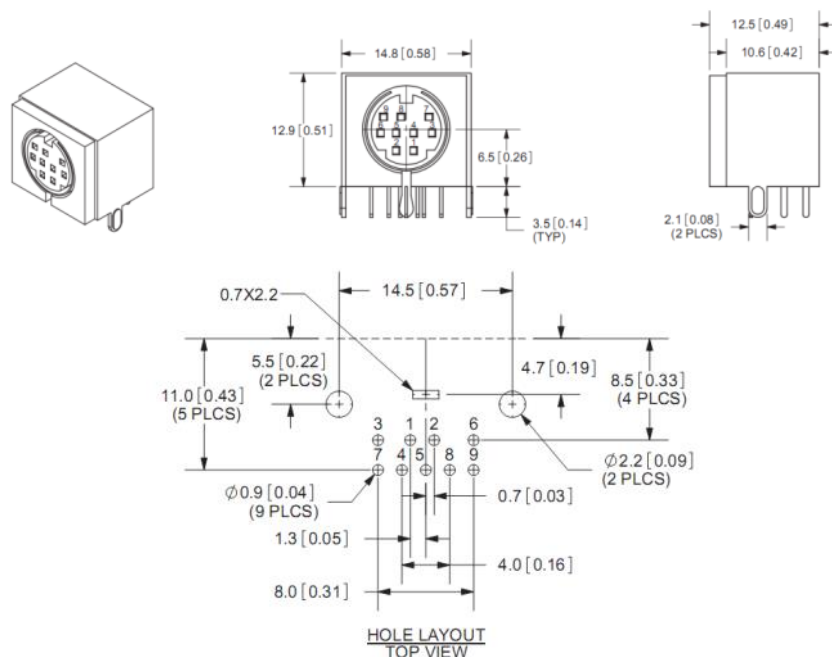
| Parameter  | Symbol           | Condition            | Min | Typ | Max | Unit     |
|--|------------------|----------------------|-----|-----|-----|----------|
| <b>Pin VS</b>  |                  |                      |     |     |     |          |
| Supply voltage   | $V_S$            |                      | 7   |     | 18  | V        |
| Supply voltage during OTP programming                                    | $V_S$            |                      | 7.8 |     | 8.2 | V        |
| Supply current, active without switch current                            | $I_S$            |                      |     | 6   | 10  | mA       |
| Undervoltage lockout   | $V_{S\_UV}$      |                      | 2   |     | 4.5 | V        |
| <b>PIN AWD</b>   |                  |                      |     |     |     |          |
| Input voltage range  | $V_{AWD}$        |                      | 0   |     | 3.4 | V        |
| Pull down current  | $I_{PD\_AWD}$    |                      |     | 2   |     | $\mu A$  |
| <b>PIN T0</b>  |                  |                      |     |     |     |          |
| Input voltage range  | $V_{T0}$         |                      | 0   |     | 3.4 | V        |
| Pull up resistor (only necessary in case third party programmer is used) | $R_{T0\_PULLUP}$ |                      |     | 500 |     | $\Omega$ |
| Input frequency  | $F_{T0}$         | max output load 20pF |     |     | 20  | MHz      |
| <b>PIN T10,T11</b>   |                  |                      |     |     |     |          |
| Input voltage range  | $V_{T1}$         |                      | 0   |     | 3.4 | V        |
| Input threshold rising edge  | $V_{T1\_RISE}$   |                      |     | 1.7 |     | V        |
| Input threshold falling edge   | $V_{T1\_FALL}$   |                      |     | 1.5 |     | V        |
| Input frequency  | $F_{T1}$         |                      |     |     | 20  | MHz      |

## 20.2 Melexis Mini E-Mlx emulator

To use the MLX80104/05 programming interface directly with the Melexis Mini E-Mlx connector it is necessary to put external components (see Figure 27) and a 9 pin mini circular connector with shield on the PCB. The connector could be a MD-90SM from CUI INC. This part can be ordered for instance from Digi-Key (CP-2290-ND).

The Melexis emulator does not provide the supply voltage for the MLX80104/05. Because of this the module has to be powered by an external power supply.

To disable the analog watchdog during programming and debugging it is necessary to connect pin 21 AWD to GND via a Jumper JP1.



| Pin No | Name     | Function        |
|--------|----------|-----------------|
| 1      | T10      | Test input 0    |
| 2      | GND      | Ground          |
| 3      | VS       | VS output       |
| 4      | T11      | Test input 1    |
| 5      | LIN/MUST | Open (not used) |
| 6      | V0       | Open (not used) |
| 7      | V2       | 3.3V input      |
| 8      | TO       | Test output     |
| 9      | V1       | Open (not used) |
| Shield | GND      | Ground          |

Table 27 - Pin description 9 pin mini circular connector

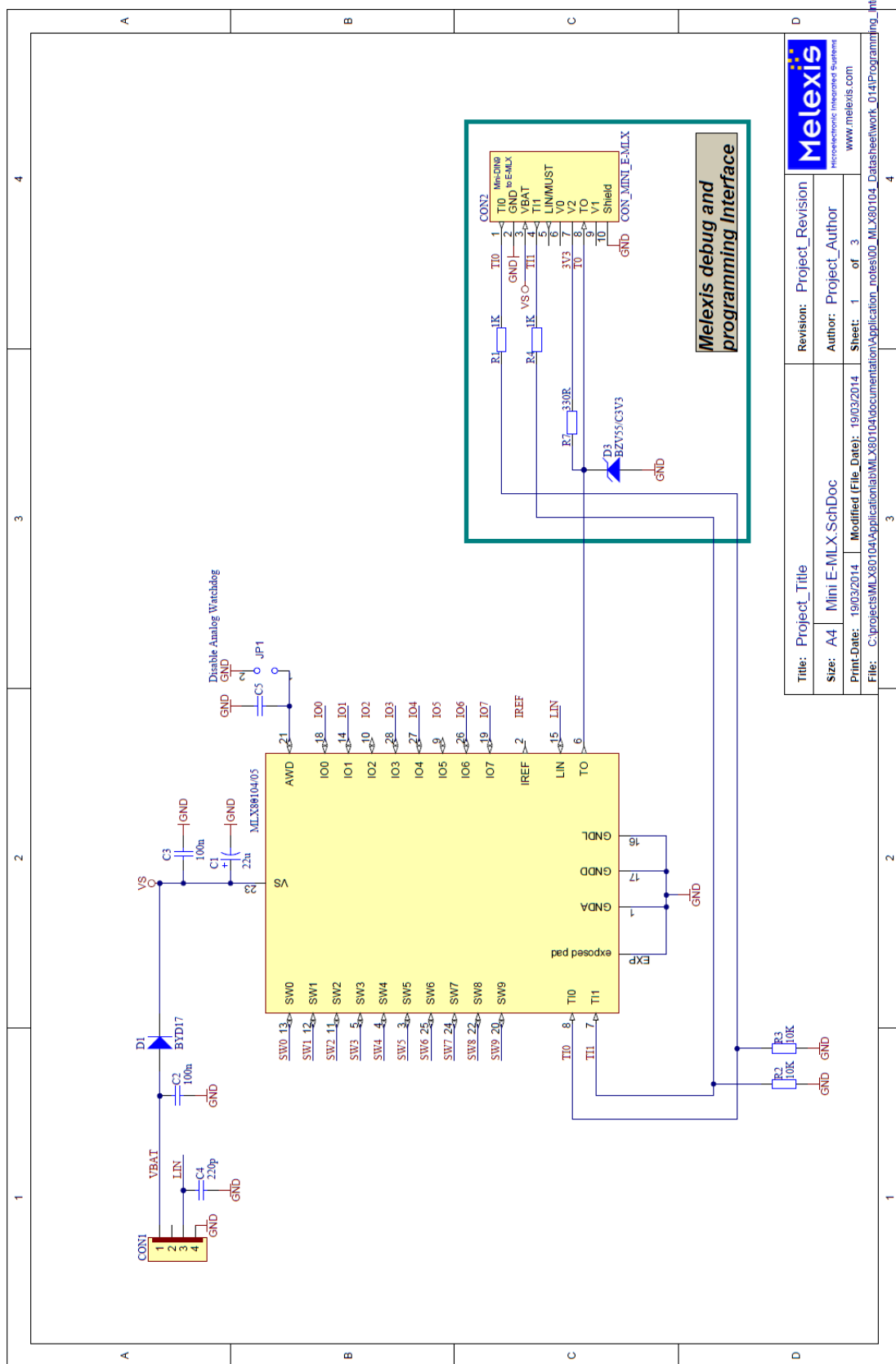


Figure 27 - MLX80104/05 programming interface with the Melexis Mini E-Mlx emulator



### 20.3 Melexis Mini E-Mlx emulator and Melexis interface adapter

In case there is not enough space to put all necessary components on the PCB as described in chapter 20.1 it is possible to use the Melexis interface adapter. This connector includes the 9 pin mini circular connector as well as all necessary components.

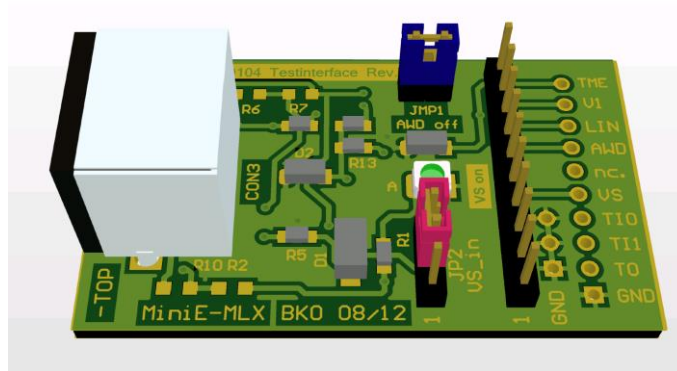


Figure 28 - Melexis MLX80104/05 programming interface adapter

The interface adapter provides an 10 pin header on top side as well as an 10 pin female header on the bottom side to connect the adapter to the MLX80104/05 module.

The Melexis emulator does not provide the supply voltage for the MLX80104/05. Because of this the module has to be powered by an external power supply.

| Pin No | Name      | Function        |
|--------|-----------|-----------------|
| 1      | GND       | Ground          |
| 2      | TO        | Test output     |
| 3      | TI1       | Test input 1    |
| 4      | TI0       | Test input 0    |
| 5      | VS        | VS input        |
| 6      | n.c.      | not used        |
| 7      | AWD       | Analog watchdog |
| 8      | LIN/MUST  | not used        |
| 9      | V1        | not used        |
| 10     | TM_ENABLE | not used        |

Table 28 - Pin description 10 pin header connector

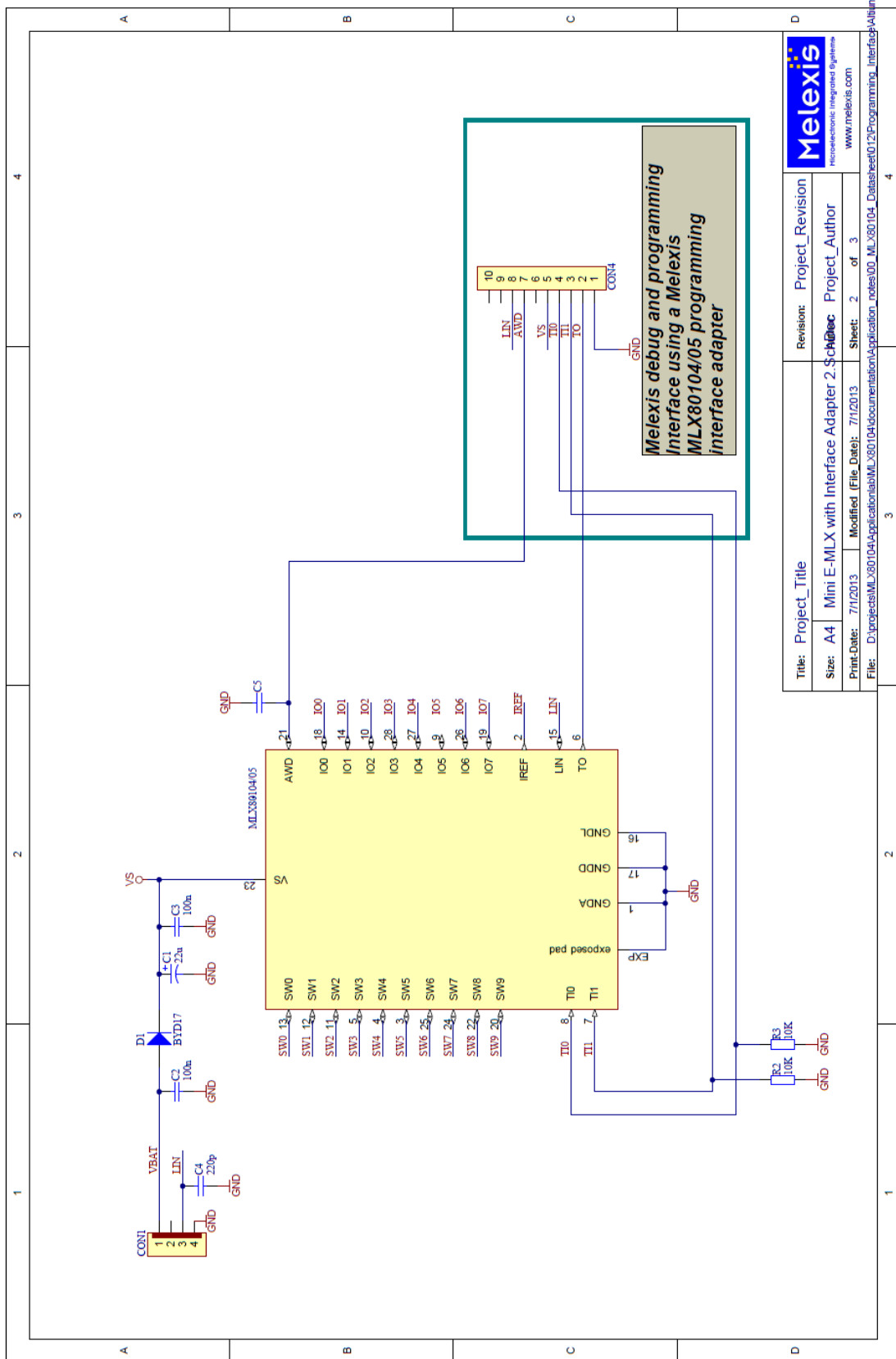


Figure 29 - MLX80104/05 programming interface with the Melexis Mini E-Mlx emulator and Melexis interface adapter

## 20.4 Melexis Programmer PTC-04

The PTC-04 can be used for programming OTP & EEPROM via Melexis Test Interface. 3 test pins must be accessible by the PTC-04 programmer. These pins are TO (Test Interface output), TI0 and TI1 (both Test Interface inputs are used for data and clock).

Additionally, the analog Watchdog pin AWD must be connected to GND to disable it. Otherwise, the IC will be reset via the analog Watchdog which makes it impossible to execute any operation via the Melexis Test Interface.

A more detailed schematic can be found in Figure 31.

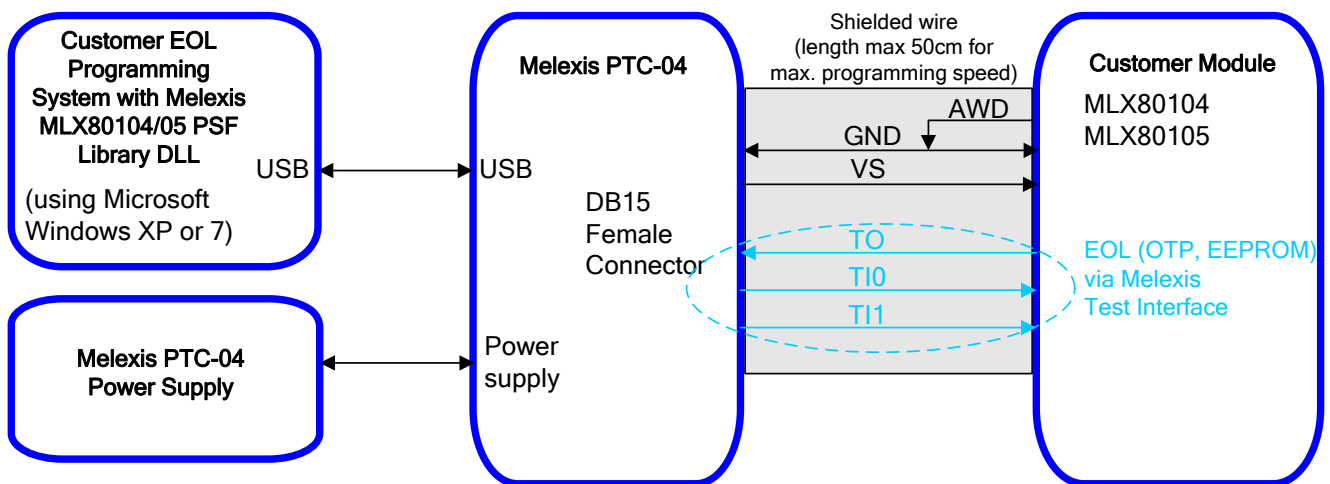


Figure 30 - Connection diagram between PTC-04 and MLX80104/5

There is no additional power supply for the MLX80104/5 necessary. It will be powered via the PTC-04.

Melexis suggests to keep the cable length between the PTC-04 and the MLX80105 as short as possible to allow a maximum programming speed (in the range of 0.5m maximum). Shielded wires must be used.

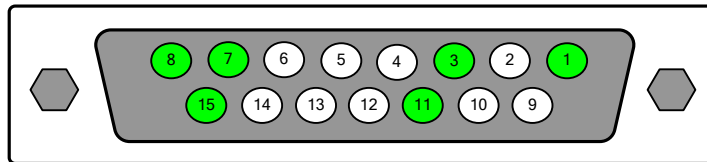
The most critical connections regarding the used cable and the cable length are TO, TI0 and TI1.

In case the cable length is longer than 0.5m the customer has to be secure that the shape of the signals for TO (at the PTC-04), TI0 and TI1 (at the MLX80104/05) are still correct. Otherwise the test interface speed has to be reduced by using the Melexis PSF DLL function SetSetting().

20.4.1. PTC04 DB 15 Female Connector

All unused pins of the connector have to be left open.

PTC05 DB15 Female Connector



| Pins      | Name               | Description                  |
|-----------|--------------------|------------------------------|
| <b>1</b>  | <b>VBAT</b>        | <b>Power Supply (output)</b> |
| 2         | N.C.               | Not connected                |
| <b>3</b>  | <b>DGND</b>        | <b>Digital Ground</b>        |
| 4         | MUST               | Analog test pin              |
| 5         | TXD0               | USART Transmit Data          |
| 6         | VOUT_PPS2          | VOUT_PPS2                    |
| <b>7</b>  | <b>MUST0 / T10</b> | <b>Digital test pin T10</b>  |
| <b>8</b>  | <b>MICE / T0</b>   | <b>Digital test pin T0</b>   |
| 9         | LIN_OUT            | LIN BUS                      |
| 10        | +5V_DIG_CON        | +5V DC Supply                |
| <b>11</b> | <b>DGND</b>        | <b>Digital Ground</b>        |
| 12        | RXD0               | USART Receive Data           |
| 13        | XCK0               | USART Clock                  |
| 14        | N.C.               | Not connected                |
| <b>15</b> | <b>MUST1 / T11</b> | <b>Digital test pin T11</b>  |

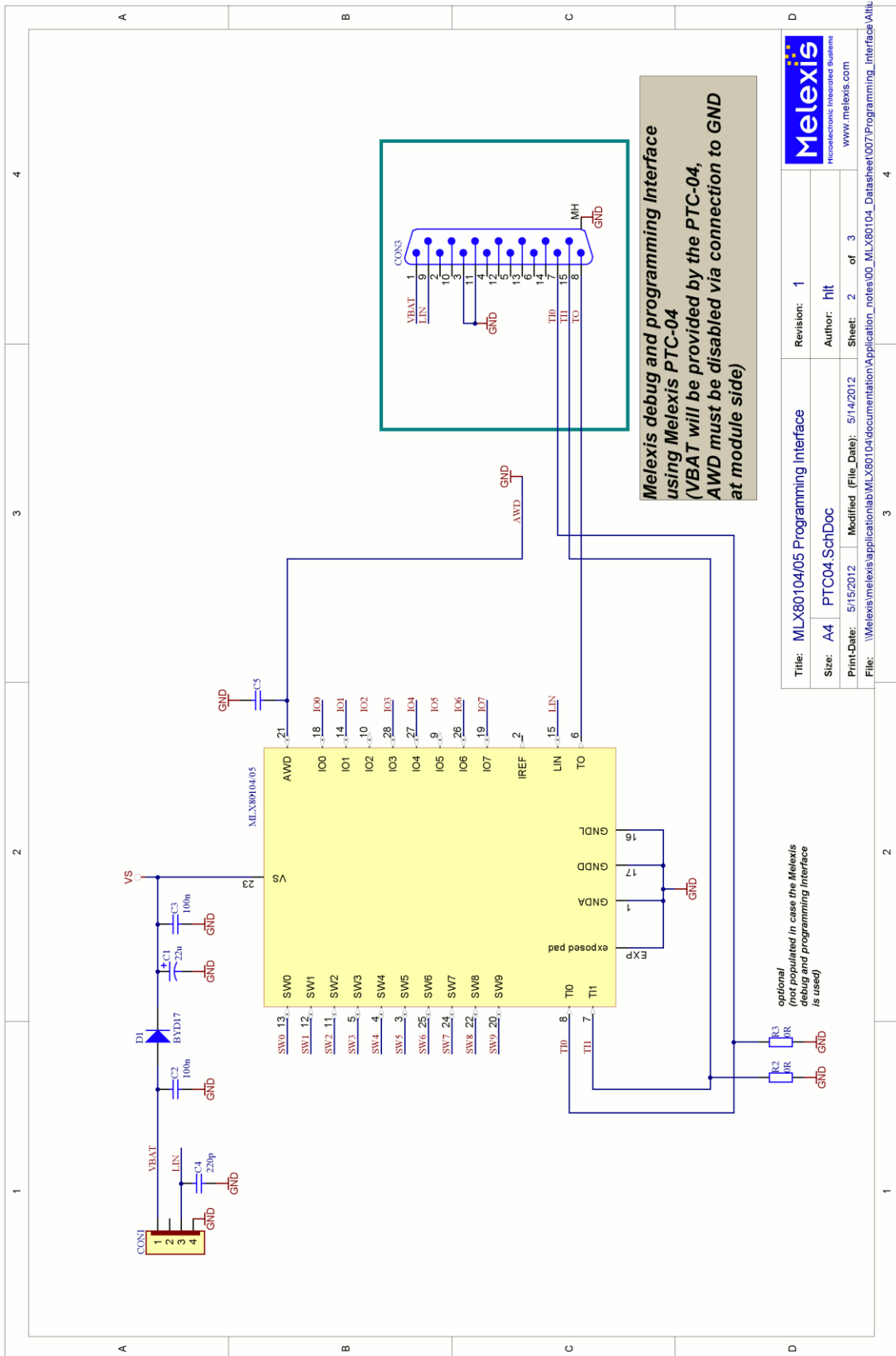


Figure 31 - MLX80104/05 programming interface with the Melexis PTC-04

## 20.5 Third party programmer

In case a third party programmer tool is used, the MLX80104/05 based module has to provide at least following connections.

| MLX80104/05<br>Pin No | Name | Function        |
|-----------------------|------|-----------------|
| 1,17,16               | GND  | Ground          |
| 6                     | TO   | Test output     |
| 7                     | TI1  | Test input 1    |
| 8                     | TI0  | Test input 0    |
| 21                    | AWD  | Analog watchdog |

*Table 29 - Connections for third party programmer*

## 21. Operating under Disturbance

### 21.1 Loss of battery

If the MLX80104/5 is disconnected from the battery, the bus pin is in high Impedance State. There is no impact to the bus traffic and to the ECU itself.

The IC will be reverse powered if switches are placed outside and via wiring harness a short circuit to battery or a faulty blocked switch is connected to the MLX80104/5. To prevent undefined failure currents the ports for connections to external switches or loads have to be protected by a serial resistor of at least 100Ω.

### 21.2 Loss of Ground

In case of an interrupted ECU ground connection there is no influence to the bus line.

### 21.3 Short circuit to battery

The LIN transmitter output current is limited to the specified value in case of short circuit to battery in order to protect the MLX80104/5 itself.

### 21.4 Short circuit to ground

If the bus line is shorted to negative shifted ground levels, there is no current flow from the ECU ground to the bus and no distortion of the bus traffic.

If the controller detects a short circuit of the bus to ground (RxD timeout) the transceiver can be set into sleep mode. The internal slave termination resistor is switched off and only a high impedance termination is applied to the bus. The failure current of the whole system can be reduced by at least ten times to prevent a fast discharge of the car battery. If the failure disappears, the bus level will become recessive again and will wake up the system even if no local wake up is present or possible.

### 21.5 Thermal overload

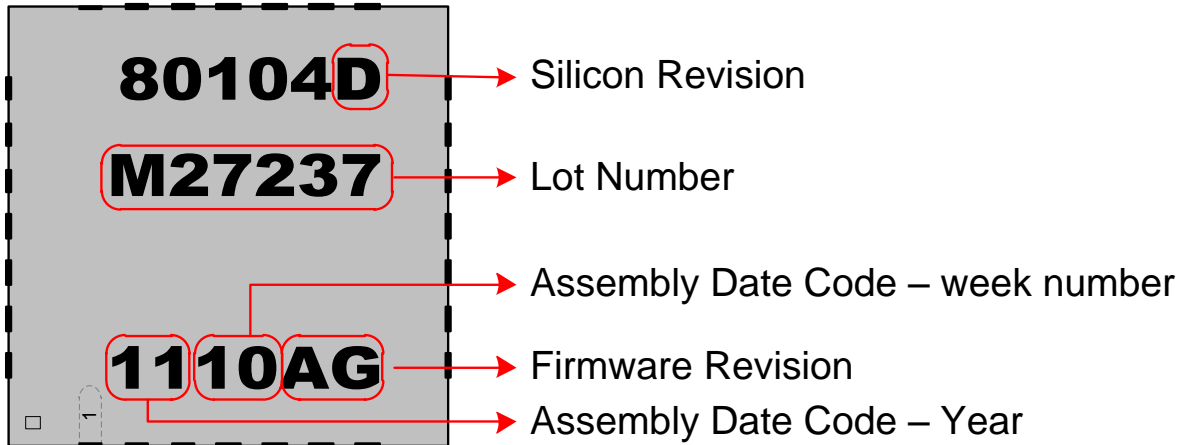
The MLX80104/5 is protected against thermal overloads. If the chip temperature exceeds the specified value, the transmitter is switched off until thermal recovery. The receiver is still working during thermal shutdown.

### 21.6 Undervoltage Vs

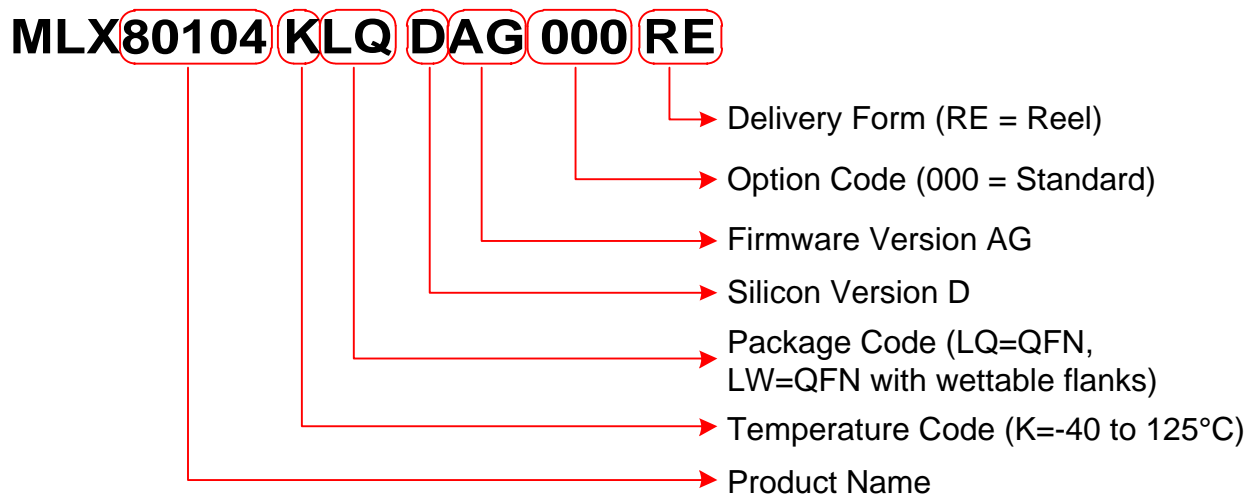
If the ECU battery supply voltage is missing or decreases under the specified value, the LIN pin functions as passive.

## 22. Marking/Order Code

### 22.1 Marking MLX80104

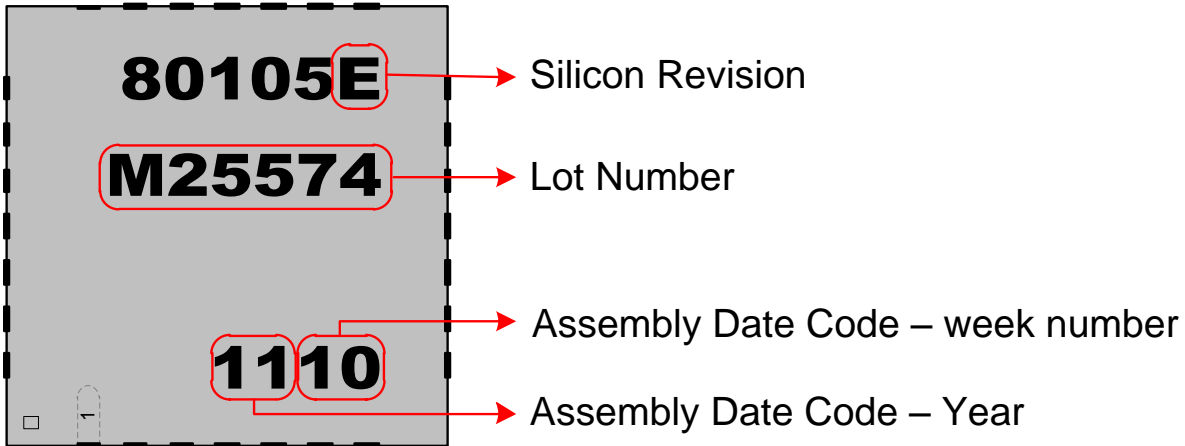


### 22.2 Order Code MLX80104

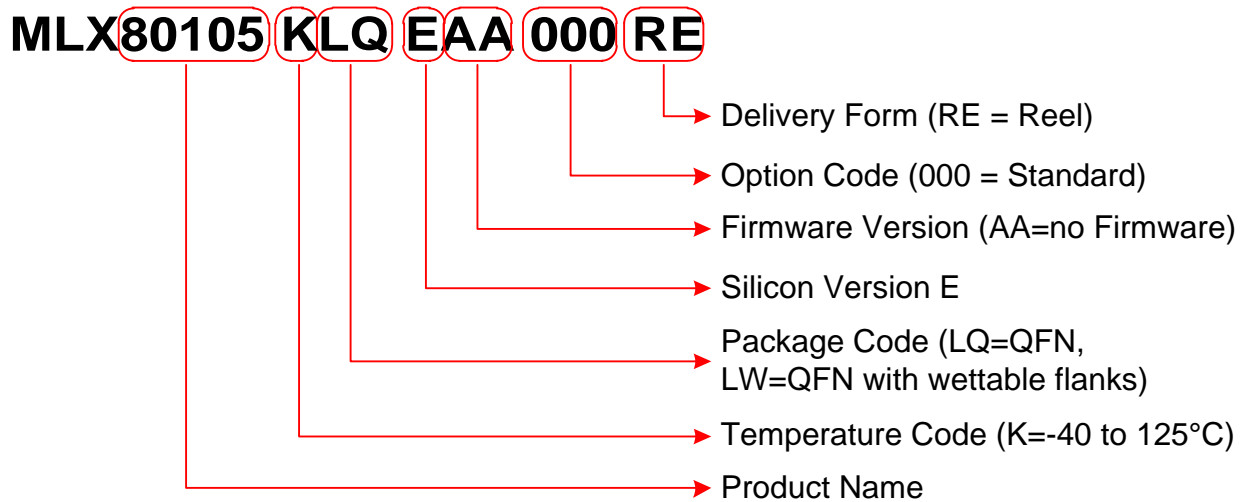




**22.3 Marking MLX80105**



**22.4 Order Code MLX80105**



### 23. Pin Description

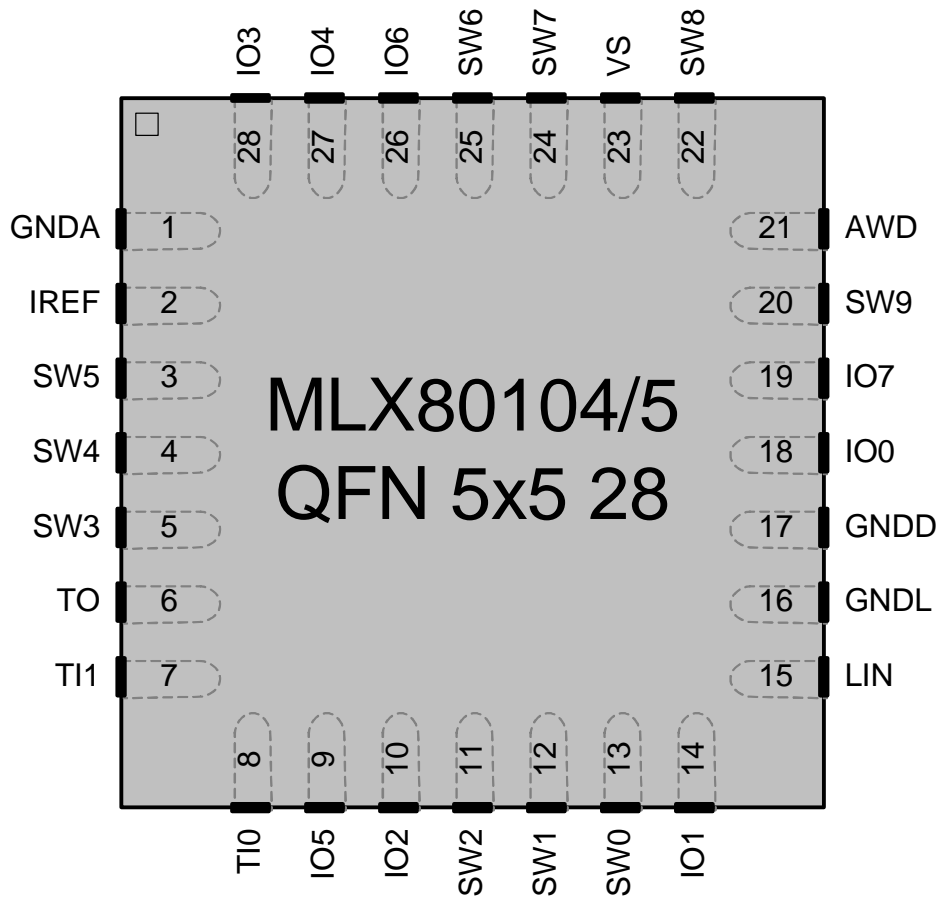


Figure 32 - Pin out MLX80104/5 – Top view

Table 1 – Pin Description MLX80104 QFN 5x5 28

| Pin No | Name  | Function   | I/O Type |
|--------|-------|--|----------|
| 1      | GND A | Analogue ground and ADC ground   | GND      |
| 2      | IREF  | IREF output  | O        |
| 3      | SW5   | Switch matrix I/O, single switch input, open drain output, wake up capable | I/O      |
| 4      | SW4   | Switch matrix I/O, single switch input, open drain output, wake up capable | I/O      |
| 5      | SW3   | Switch matrix I/O, single switch input, open drain output, wake up capable | I/O      |
| 6      | TO    | Test output, unconnected in application mode                               | O        |
| 7      | TI1   | Test input - connect to GND in application mode                            | I        |
| 8      | TI0   | Test input - connect to GND in application mode                            | I        |
| 9      | IO5   | SWx functionality and ADC input, wake up capable, PWM output               | I/O      |
| 10     | IO2   | SWx functionality and ADC input, wake up capable, PWM output               | I/O      |
| 11     | SW2   | Switch matrix I/O, single switch input, open drain output, wake up capable | I/O      |
| 12     | SW1   | Switch matrix I/O, single switch input, open drain output, wake up capable | I/O      |
| 13     | SW0   | Switch matrix I/O, single switch input, open drain output, wake up capable | I/O      |
| 14     | IO1   | SWx functionality and ADC input, wake up capable, PWM output               | I/O      |
| 15     | LIN   | Connection to LIN bus  | IO       |
| 16     | GND L | LIN driver ground  | GND      |
| 17     | GND D | Digital ground   | GND      |
| 18     | IO0   | SWx functionality and ADC input, wake up capable, PWM output               | I/O      |
| 19     | IO7   | SWx functionality and ADC input, wake up capable, PWM output               | I/O      |
| 20     | SW9   | Switch matrix I/O, single switch input, open drain output, wake up capable | I/O      |
| 21     | AWD   | Watch dog load capacitor   | I/O      |
| 22     | SW8   | Switch matrix I/O, single switch input, open drain output, wake up capable | I/O      |
| 23     | VS    | High voltage supply, battery voltage                                       | P        |
| 24     | SW7   | Switch matrix I/O, single switch input, open drain output, wake up capable | I/O      |
| 25     | SW6   | Switch matrix I/O, single switch input, open drain output, wake up capable | I/O      |
| 26     | IO6   | SWx functionality and ADC input, wake up capable, PWM output               | I/O      |
| 27     | IO4   | SWx functionality and ADC input, wake up capable, PWM output               | I/O      |
| 28     | IO3   | SWx functionality and ADC input, wake up capable, PWM output               | I/O      |

## 24. Mechanical Specification

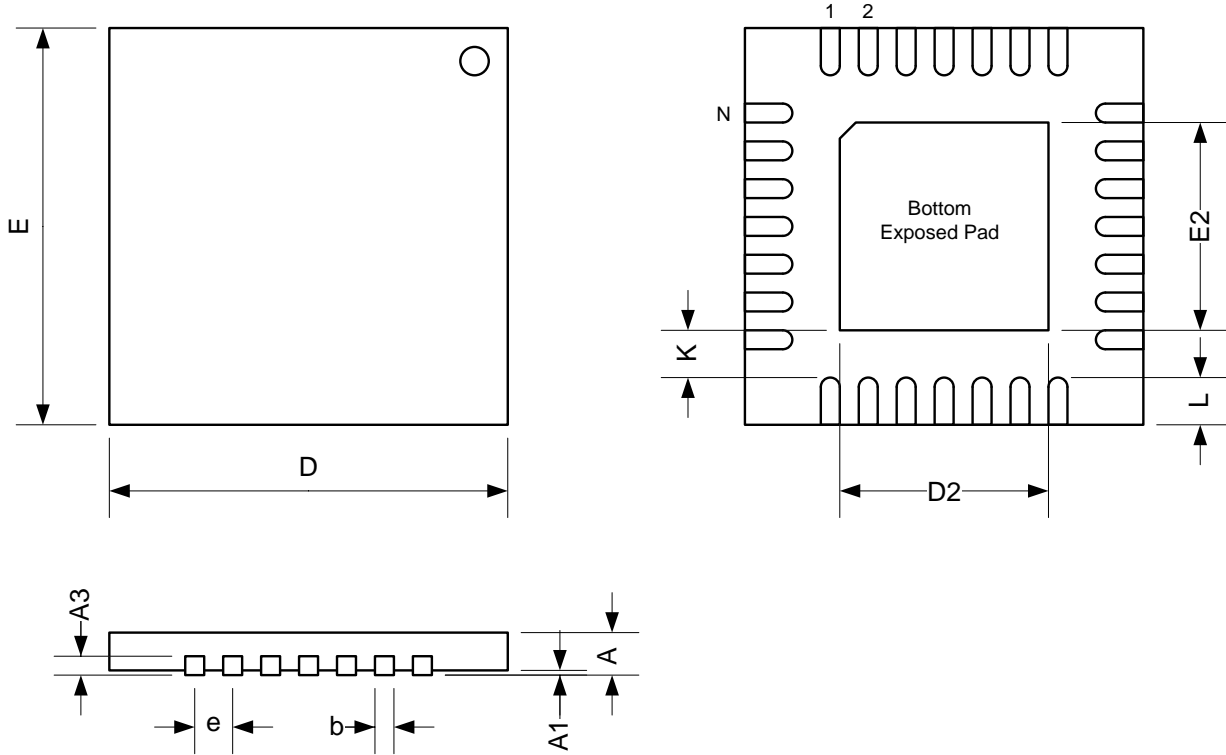


Figure 33 - QFN28 Drawing

Table 2 – QFN28 Package Dimensions

| Symbol | A   | A1   | A3   | b    | D    | D2   | E    | E2   | e    | K    | L    | N <sup>[6][3]</sup> | ND <sup>[5]</sup> | NE <sup>[5]</sup> |            |
|--------|-----|------|------|------|------|------|------|------|------|------|------|---------------------|-------------------|-------------------|------------|
| QFN28  | min | 0.80 | 0    | 0.18 | 5.00 | 3.00 | 5.00 | 3.00 | 0.50 | 0.20 | 0.45 | 28                  | 7                 | 7                 | [1]<br>[2] |
|        | nom | 0.90 | 0.02 | 0.25 |      | 3.10 |      | 3.10 |      |      | 0.55 |                     |                   |                   |            |
|        | max | 1.00 | 0.05 | 0.30 |      | 3.25 |      | 3.25 |      |      | 0.65 |                     |                   |                   |            |

[1] Dimensions and tolerances conform to ASME Y14.5M-1994

[2] All dimensions are in Millimeters. All angels are in degrees

[3] N is the total number of terminals

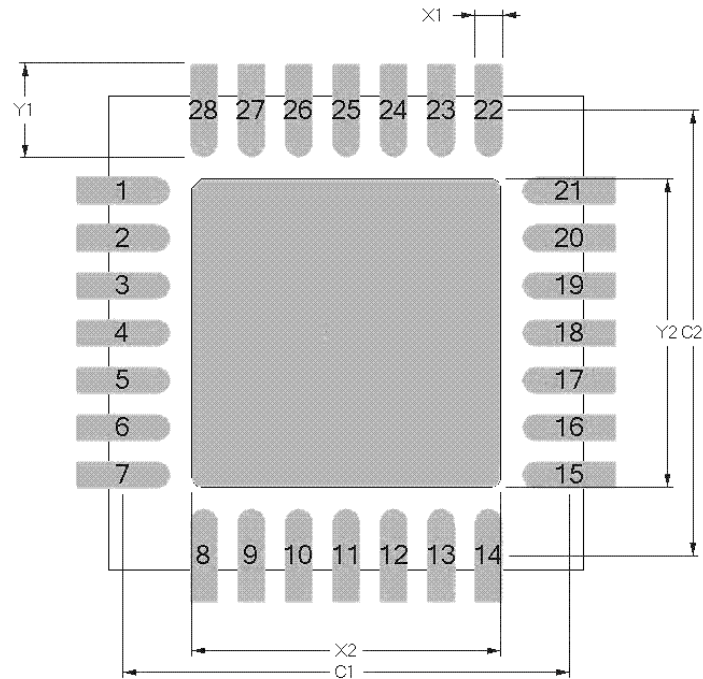
[4] Dimension b applies to metalized terminal and is measured between 0.25 and 0.30mm from terminal tip

[5] ND and NE refer to the number of terminals on each D and E side respectively

[6] Depopulation is possible in a symmetrical fashion

## 25. Land Pattern Recommendations

This recommendation is provided as a guideline for board layout.



*Table 3 – QFN28 Land Pattern Dimensions*

| Symbol  | Land X1 | Land Y1 | Tab Land X2 | Tab Land Y2 | Land Space C1 | Land Space C2 |
|---------|---------|---------|-------------|-------------|---------------|---------------|
| (in mm) | 0.30    | 1.00    | 3.25        | 3.25        | 4.70          | 4.70          |

## 26. ESD/EMC Remarks

Electronic semiconductor products are sensitive to Electro Static Discharge (ESD). Always observe Electro Static Discharge control procedures whenever handling semiconductor products.

### 26.1 ESD/EMC Recommendations for the MLX80104/5

In order to minimize EMC influences, the PCB has to be designed according to EMC guidelines. The MLX80104/5 is an ESD sensitive device and has to be handled according to the rules in IEC61340-5-2. MLX80104/5 will apply the requirements in the application according to the specification and to ISO7637-2

### 26.2 Automotive Qualification Test Pulses

The following chapter is valid for a complete assembled module. That means that automotive test pulses are applied to the complete module and not to the single IC. Therefore attention must be taken, that only protected pins (protection done the IC itself or by external components) are wired to a module connector. In the recommended application diagrams, the reverse polarity diode together with the capacitors on supply pins, the protection resistors in several lines and the load dump protected IC itself will protect the module against the below listed automotive test pulses. The exact values of the capacitors for the application have to be chosen in dependence of the automotive requirements of the module.

For the LIN pin the specification “LIN Physical Layer Spec 2.x” is valid.

Supply Pin VS is protected via the reverse polarity diode and the supply capacitors. No damage will occur for defined test pulses. A deviation of characteristics is allowed during pulse 1 and 2; but the module will recover to the normal function after the pulse without any additional action. During test pulse 3a, 3b, 5 the module will work within characteristic limits.

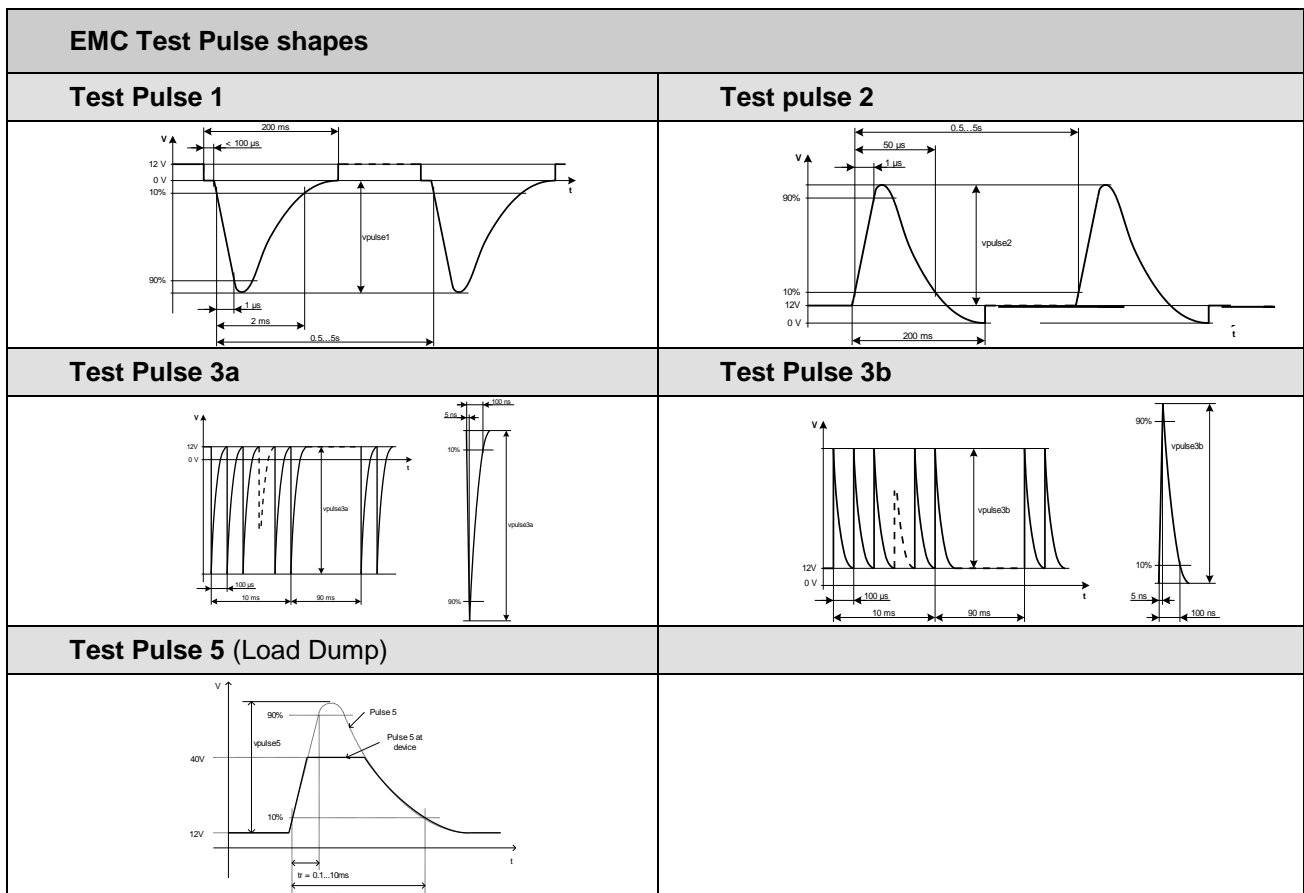
#### Test pulses on supply lines

| Parameter   | Symbol   | Us   | Dim | Test Condition  |
|---|----------|------|-----|---|
| Transient test pulses in accordance to ISO7637-2 (supply lines)<br>Test pulses are defined with the 12V DC voltage shift on the supply lines. Application schematics are according application notes. |          |      |     |   |
| Test pulse #1   | vpulse1  | -100 | V   | 5000 pulses, $t_1 = 5s$ , $t_d = 2ms$ ,<br>$R_i = 10\Omega$           |
| Test pulse #2a  | vpulse2  | 75   | V   | 5000 pulses, $t_1 = 0.5s$ , $t_d = 0.05ms$ ,<br>$R_i = 2\Omega$       |
| Test pulse #3a  | vpulse3a | -200 | V   | 1h, $t_1 = 0.1ms$ , $t_d = 10ms$ ,<br>$t_5 = 90ms$ , $R_i = 50\Omega$ |
| Test pulse #3b  | vpulse3b | 200  | V   | 1h, $t_1 = 0.1ms$ , $t_d = 10ms$ ,<br>$t_5 = 90ms$ , $R_i = 50\Omega$ |
| Test pulse #5b  | vpulse5  | 45   | V   | 10 pulses, $t_d = 400ms$ , $R_i = 0.5\Omega$                          |

**Test pulses on LIN line**

| Parameter   | Symbol   | Us   | Dim  | Test Condition  |
|---|----------|------|--|---|
| Transient test pulses in accordance to ISO7637-3 (signal lines)<br>Test pulses are defined with the 12V DC voltage shift on the signal lines. Application schematics are according application notes. |          |      |  |   |
| Test pulse #1 <sup>8</sup>  | vpulse1  | -100 | V  | 5000 pulses, $t_1 = 5s$ , $t_d = 2ms$ , $R_i = 10\Omega$                    |
| Test pulse #2a <sup>9</sup>   | vpulse2  | 75   | 5000 pulses, $t_1 = 0.5s$ , $t_d = 0.05ms$ , $R_i = 2\Omega$ |   |
| Test pulse #3a  | vpulse3a | -200 | V  | 1000 bursts, $t_1 = 0.1ms$ , $t_4 = 10ms$ , $t_5 = 90ms$ , $R_i = 50\Omega$ |
| Test pulse #3b  | vpulse3b | 200  | V  | 1000 bursts, $t_1 = 0.1ms$ , $t_4 = 10ms$ , $t_5 = 90ms$ , $R_i = 50\Omega$ |

**26.3 EMC Test pulse definition**



<sup>8</sup> Test pulse 1 is not part of ISO 7637-3 for signal lines, this test is made additional.

<sup>9</sup> Test pulse 2 is not part of ISO 7637-3 for signal lines, this test is made additional.

## 27. References

|     |   |                                |
|-----|---|--------------------------------|
| [1] | Software Functional Specification for MLX80104 UniROM |                                |
| [2] | LIN Specification Package 2.1                         | November 24, 2006              |
| [3] | GM LIN/J2602 Implementation Specification             | Issue 1.4<br>December 19, 2006 |
| [4] | MLX80104/08 – Software Development Kit                |                                |

## 28. List of Abbreviations

|     |                         |
|-----|-------------------------|
| Dp  | Direct page             |
| Ep  | EEPROM                  |
| Fp  | Far page                |
| GCC | GNU Compiler Collection |



## 29. Revision History

| Version | Changes  | Remark                    | Date           |
|---------|--|---------------------------|----------------|
| 0.1     |  | First preliminary release | March 2008     |
| 0.11    | Updated application schematic  |                           | March 2008     |
| 001     | Update of block diagram of MLX80104<br>Increase RAM size to 512byte<br>Update absolute maximum ratings<br>Update static characteristics<br>Definition of pull up/down resistance on SWx and IOx in sleep mode<br>Chapter ADC<br>Add additional channel IREF<br>Chapter PWM unit<br>Increase number of PWM channels on IOx to eight<br>Change the access to duty cycle register<br>Chapter mechanical specification<br>Update package dimensions<br>Update chapter automotive test pulses |                           | December 2008  |
| 002     | Correct test pin description in chapter Pin description<br>Chapter Timer added<br>Application example modified<br>ADC chapter updated<br>Chapter Patches added   |                           | February 2010  |
| 003     | Update absolute maximum ratings  |                           | July 2010      |
| 004     | Chapter PWM Unit<br>Equation for PWM_DIV register added<br>Frequency table added<br>Chapter Timer<br>Equation for Timer register added<br>Chapter ADC<br>Description for input divider added   |                           | September 2010 |
| 005     | Chapter Programming Interface added  |                           | September 2010 |
| 006     | Small layout changes done  |                           | January 2011   |
| 007     | Chapter Application Examples<br>Application Schematic modified, capacitor value at VS pin increased to fulfil the performance status A<br>Chapter PWM unit<br>Block Diagram PWM unit modified<br>Chapter Automotive Qualification Test Pulses<br>Voltage levels updated  |                           | August 2011    |
| 008     | Order Information updated<br>Marking MLX80104/5 updated<br>Disclaimer updated<br>Chapter Software Development added  |                           | January 2012   |
| 009     | Package drawing corrected  |                           | March 2012     |

|     |  |                        |              |
|-----|--|------------------------|--------------|
| 010 | Chapter "Memory Mapping" updated<br>Chapter "Programming Interface"<br>New sub-chapter "Melexis programmer PTC-04" added<br>New chapter "Land Pattern Recommendations" added<br>Chapter "Operating Conditions" updated<br>Chapter "Melexis Programmer PTC-04" updated                                    |                        | June 2012    |
| 011 | Chapter "List of Abbreviations" added<br>Chapter "EEPROM" updated  |                        | April 2013   |
| 012 | Chapter "Programming Interface" updated  |                        | July 2013    |
| 013 | Chapter "Order Code" updated   |                        | January 2014 |
| 014 | Chapter "Order Code" updated<br>Chapter "Melexis Mini E-Mlx emulator and Melexis interface adapter" updated<br>Chapter "Entering Sleep Mode by API" updated  |                        | March 2014   |
| 015 | Chapter "Order Code" updated<br>Chapter "Static Characteristics" updated   |                        | May 2014     |
| 016 | Chapter "Operating Conditions" updated<br>Chapter "Switch diagnosis" updated<br>Chapter "Order Code" updated (wetable flanks)<br>Chapter "Reserved EEPROM Segments" added<br>Chapter "The IREF pin" updated<br>Parameter "LIN current during loss of Ground" updated in chapter "Static Characteristics" |                        | April 2015   |
| 017 | Chapter "Characteristics for the interface pins" Parameter "Supply voltage during OTP programming" updated   | Only MLX80105 affected | June 2016    |

## 30. Standard information regarding manufacturability of Melexis products with different soldering processes

Our products are classified and qualified regarding soldering technology, solderability and moisture sensitivity level according to following test methods:

### Reflow Soldering SMD's (Surface Mount Developes)

- IPC/JEDEC J-STD-020  
Moisture/Reflow Sensitivity Classification for Nonhermetic Solid State Surface Mount Devices (classification reflow profiles according to table 5-2)
- EIA/JEDEC JESD22-A113  
Preconditioning of Nonhermetic Surface Mount Devices Prior to Reliability Testing (reflow profiles according to table 2)

### Wave Soldering SMD's (Surface Mount Developes) and THD's (Through Hole Developes)

- EN60749-20  
Resistance of plastic- encapsulated SMD's to combined effect of moisture and soldering heat
- EIA/JEDEC JESD22-B106 and EN60749-15  
Resistance to soldering temperature for through-hole mounted devices

### Iron Soldering THD's (Through Hole Developes)

- EN60749-15  
Resistance to soldering temperature for through-hole mounted devices

### Solderability SMD's (Surface Mount Developes) and THD's (Through Hole Developes)

- EIA/JEDEC JESD22-B102 and EN60749-21  
Solderability

For all soldering technologies deviating from above mentioned standard conditions (regarding peak temperature, temperature gradient, temperature profile etc) additional classification and qualification tests have to be agreed upon with Melexis.

The application of Wave Soldering for SMD's is allowed only after consulting Melexis regarding assurance of adhesive strength between device and board.

Melexis is contributing to global environmental conservation by promoting **lead free** solutions. For more information on qualifications of **RoHS** compliant products (RoHS = European directive on the Restriction Of the use of certain Hazardous Substances) please visit the quality page on our website: <http://www.melexis.com/quality.aspx>

## 31. Disclaimer

Devices sold by Melexis are covered by the warranty and patent indemnification provisions appearing in its Term of Sale. Melexis makes no warranty, express, statutory, implied, or by description regarding the information set forth herein or regarding the freedom of the described devices from patent infringement. Melexis reserves the right to change specifications and prices at any time and without notice. Therefore, prior to designing this product into a system, it is necessary to check with Melexis for current information. This product is intended for use in normal commercial applications. Applications requiring extended temperature range, unusual environmental requirements, or high reliability applications, such as military, medical life-support or life-sustaining equipment are specifically not recommended without additional processing by Melexis for each application.

The information furnished by Melexis is believed to be correct and accurate. However, Melexis shall not be liable to recipient or any third party for any damages, including but not limited to personal injury, property damage, loss of profits, loss of use, interrupt of business or indirect, special incidental or consequential damages, of any kind, in connection with or arising out of the furnishing, performance or use of the technical data herein. No obligation or liability to recipient or any third party shall arise or flow out of Melexis' rendering of technical or other services.

© 2012 Melexis NV. All rights reserved.

For the latest version of this document, go to our website at  
**[www.melexis.com](http://www.melexis.com)**

Or for additional information contact Melexis Direct:

Europe, Africa, Asia:

Phone: +32 1367 0495

E-mail: [sales\\_europe@melexis.com](mailto:sales_europe@melexis.com)

America:

Phone: +1 248 306 5400

E-mail: [sales\\_usa@melexis.com](mailto:sales_usa@melexis.com)

ISO/TS 16949 and ISO14001 Certified