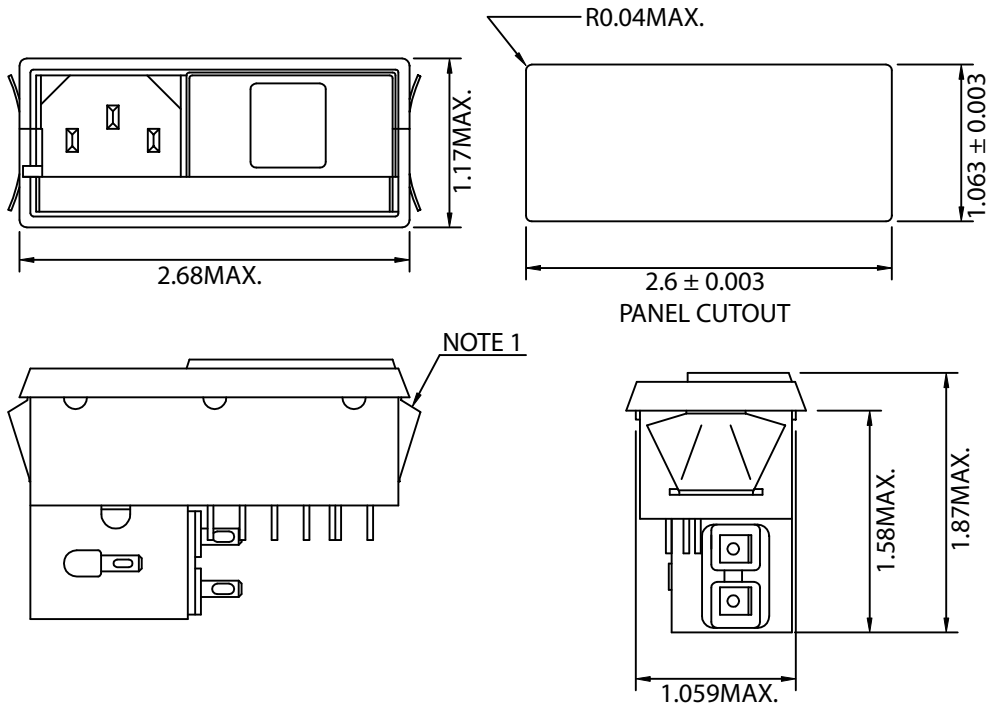


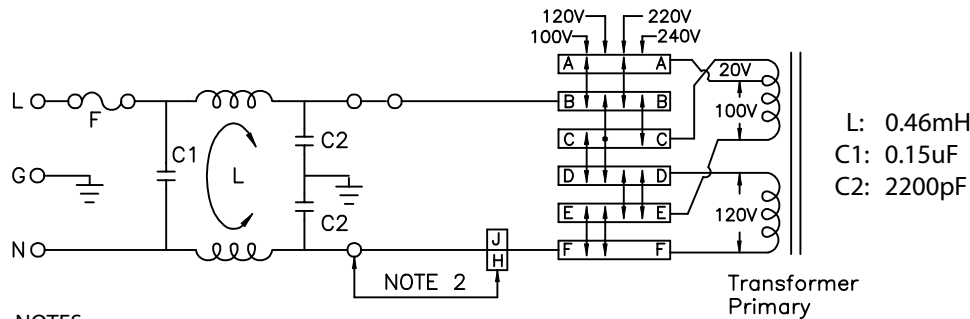
THESE DRAWINGS ARE THE PROPERTY OF QUALTEK ELECTRONICS AND NOT TO BE REPRODUCED FOR OR COMMUNICATED TO A THIRD PARTY WITHOUT THE EXPRESS WRITTEN PERMISSION OF AN OFFICER OF QUALTEK ELECTRONICS.

REVISION			
REV.	DESCRIPTION	DATE	APPROVED
B	RoHS Compliance	06-01-06	DP

PHYSICAL DIMENSIONS:



SCHEMATIC:



NOTES:

- STANDARD UNITS MOUNT PANEL THICKNESS 0.04 TO 0.063 INCH, SPECIAL UNITS MOUNT PANEL THICKNESS 0.06 TO 0.09 INCH.
- JUMPER REQUIRED IF ONLY SPST POWER SWITCH IS USED

ELECTRICAL CHARACTERISTICS:

- VOLTAGE RATING.....115/250VAC
- CURRENT RATING  
A. @ 115 VAC.....6 A RMS MAX  
B. @ 250 VAC.....6 A RMS MAX
- OPERATING FREQUENCY.....50/60Hz
- LEAKAGE CURRENT: EACH LINE TO GROUND  
A. @ 115 VAC 60Hz.....0.25 mA MAX  
B. @ 250 VAC 50Hz.....0.45 mA MAX
- HIPOT RATING (FOR ONE MINUTE)  
A. LINE TO GROUND.....2250 VDC  
B. LINE TO LINE.....1450 VDC
- MINIMUM INSERTION LOSS IN dB: (AT 50 OHM SYSTEM)

FREQ. MHz	.01	.05	.10	.15	.50	1.0	5.0	10	30
COM. MODE dB	/	/	5	9	20	25	40	45	45
DIF. MODE dB	/	/	/	/	/	/	/	/	/

- OPERATING TEMPERATURE.....-25° TO +85° C
- SAFETY:
- RoHS COMPLIANT

**CONTROLLED**

Dim range (mm)	Tolerance +/- (mm)	Qualtek Electronics Corp. PPC DIVISION		
		Part Number: 861-06/001		
0-1	0.15	Description: EMI FILTER		
1-6	0.20			
6-18	0.30			
18-50	0.50			
50-120	0.70	Drawn / Date	Checked / Date	Approved / Date
120-250	0.90	B.ZHANG 01-16-03	01-16-03	JJH / 01-16-03
250-500	1.20			