

PLEASE CHECK WWW.MOLEX.COM FOR LATEST PART INFORMATION

Part Number: [62201-7400](#)
Status: **Active**
Description: Manual Arbor Press, RAST 2.5

Documents:
[RoHS Certificate of Compliance \(PDF\)](#)

General

Product Family	Application Tooling
Series	T9999
Function	Insulation Displacement (IDT)
Geographic Area	Global
Level of Automation	Manual
More Detailed Tech Information	applicationtooling@molex.com
Product Name	RAST 2.5
Survey	www.molex.com//review/apptool_survey.html
Tool Type	Handtool
UPC	800756045252

Physical

Net Weight	1850.000/g
------------	------------

Material Info

Reference - Drawing Numbers

Application Tooling Documents	TM-622017400
-------------------------------	--------------

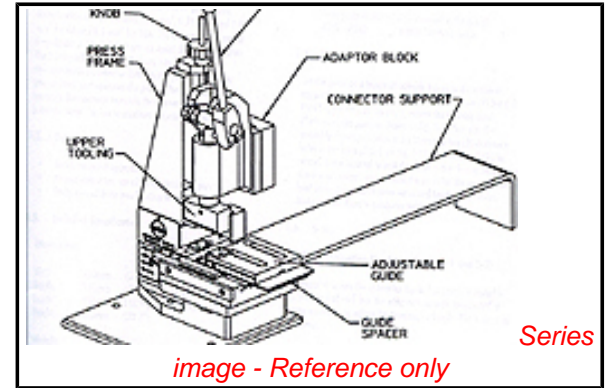


image - Reference only

EU RoHS	China RoHS
----------------	-------------------

Compliance Status

Not Reviewed

REACH SVHC

Not Reviewed

Low-Halogen Status

Not Reviewed

Need more information on product environmental compliance?

Email productcompliance@molex.com
 For a multiple part number RoHS Certificate of Compliance, [click here](#)

Please visit the [Contact Us](#) section for any non-product compliance questions.

Search Parts in this Series

T9999Series