

CONPROSYS Series  
 Serial Cable for FANUC CNC (20pin – 9pin)  
**CPS-CAB-S01-1 (1m)**  
**CPS-CAB-S01-3 (3m)**  
**CPS-CAB-S01-5 (5m)**



\* Specifications, color and design of the products are subject to change without notice.

The product is cables to connect the FANUC CNC and the CONPROSYS series CNC communication support controller(s).

### Packing List

Product (One of the followings) ...1  
 [PS-CAB-S01-1, PS-CAB-S01-3, PS-CAB-S01-5]

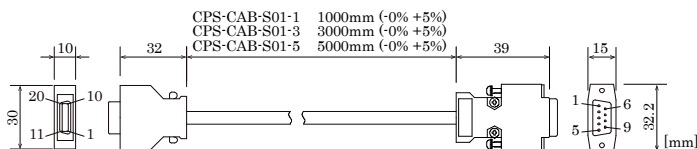
### Specification

Item	Specifications
Connector used	20-pin half pitch connector PCR-E20FS+[HONDA] or equivalent 9-pin D-SUBconnector 17JE-13090-02(D1)A [DDK] or equivalent PCR-E96F [HONDA]
Cable	10 core shield cable (5pair). Conductor size: AWG#28 Conductor composition: 7pcs/0.127mm UL20276
Weight	CPS-CAB-S01-1:100g (Max.), CPS-CAB-S01-3:200g (Max.), CPS-CAB-S01-5:300g (Max.)

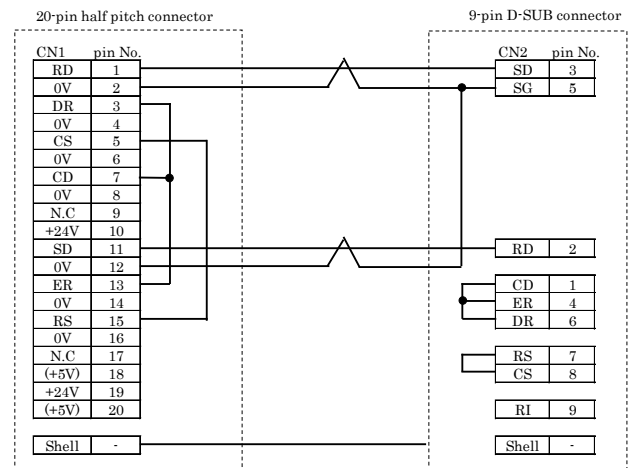
### Target products

CPS-MC341-ADSC1-931  
 CPS-MCS341-DS1-131  
 CPS-MG341-ADSC1-931

### Physical Dimensions



### Connection Diagram



\* The shell of 9-pin D-SUB connector is unconnected.