
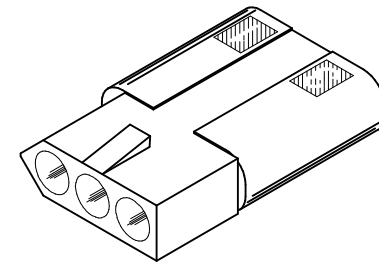
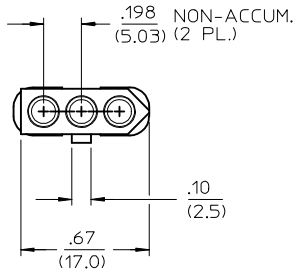
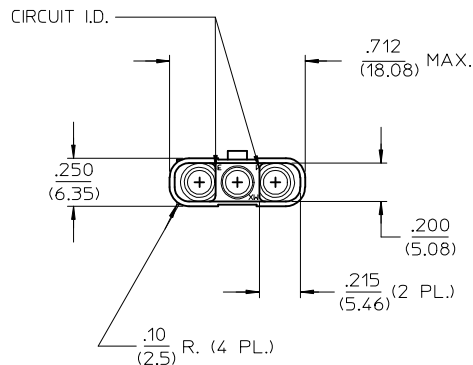
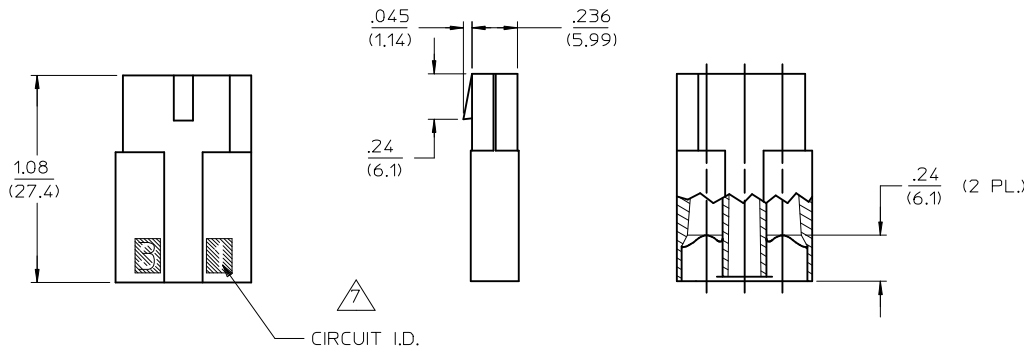


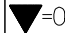
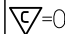
NOTES:

1. MATERIAL: A = NYLON 66, UL94V-2, COLOR: NATURAL.  
B = UL94V-0, PA6 NYLON, IEC 60335-1, 4TH EDITION, GLOW WIRE CAPABLE.
2. FINISH: NONE
3. PRODUCT SPECIFICATION: NONE
4. PACKAGING SPECIFICATION: NONE
5. THIS HOUSING IS FOR USE WITH MOLEX .093/(2.36) DIA. SERIES TERMINALS AND MATES WITH THE 1396-P\* AND 42191-P\* HOUSINGS.
6. THIS HOUSING IS PRIMARILY INTENDED FOR USE WITH APPLICATIONS USING 18 AWG, SPT-3 POWER CORDS. WHEN USING SPT-3 WIRE, TERMINALS CRIMPED TO THE OUTER CONDUCTORS (HAVING THE D-SHAPED INSULATION) ARE TO BE INSERTED IN CIRCUITS 1 & 3.
7.  CIRCUIT I.D. ON THIS SURFACE MAY OR MAY NOT BE PRESENT, DEPENDING ON AGE OF TOOL.
8. PARTS CONFORM TO CLASS B REQUIREMENTS OF COSMETIC SPECIFICATION PS-45499-002 EXCEPT MAT'L OPTION 'B' MEETS CLASS 'C' REQUIREMENTS FOR SINK AND DISCOLORATION.



RECEPTACLE  
POSITIVE LOCK RAMP VERSION  
SCALE 3:1



<b>ADD MAT'L OPTION B</b> IEC NO: UCP2007-2702 DRWN:PRIDDER 2008/12/15 CHKD:AELHAG 2008/12/16 APPR:FSMITH 2008/12/16	QUALITY SYMBOLS  = 0  = 0	GENERAL TOLERANCES (UNLESS SPECIFIED)		DIMENSION STYLE IN/MM	SCALE INCH	DESIGN UNITS INCH	THIRD ANGLE PROJECTION		
		4 PLACES ± --- ± --- 3 PLACES ± --- ± .010 2 PLACES ± 0.25 ± .014 1 PLACE ± 0.36 ± ---	DRAWN BY GMC	DATE 1989/10/31	TITLE .092/(2.36) HOUSING, RECEPTACLE, 3 CIRCUIT				
		ANGULAR ± 1/2°	CHECKED BY RW	DATE 1989/10/31	APPROVED BY GWF				
		DRAFT WHERE APPLICABLE MUST REMAIN WITHIN DIMENSIONS	MATERIAL NO. SEE CHART	DATE 1989/10/31	MOLEX INCORPORATED	DOCUMENT NO. SD-6496-3R*	SHEET NO. 1 OF 2		

2	P1
1	P1
SHT. REV.	

RECEPTACLE	
PART NO.	ENG. NO.
03-09-1037	6496-3RA
03-09-1030	6496-3RB
PRELIMINARY	6496-3RC
50-36-1875	6496-3RB-1

LEGEND:

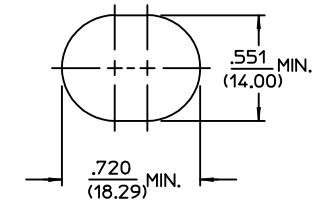
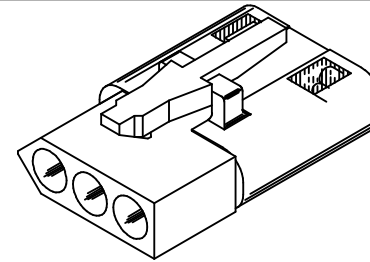
6496-\*\*\*-\*

CIRCUIT SIZE  
R = RECEPTACLE

VERSION

- A = WITH TOP MOUNTED THUMB LATCH
- B = WITH POSITIVE LOCK RAMP
- C = WITH BOTTOM MOUNTED THUMB LATCH

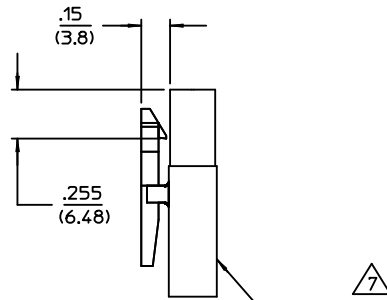
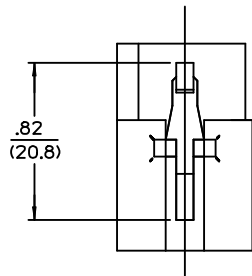
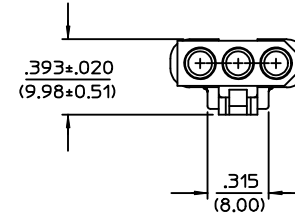
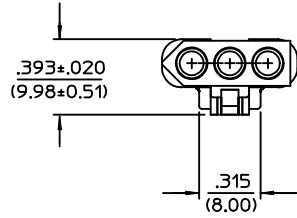
BLANK = MAT'L CODE A  
1 = MAT'L CODE B



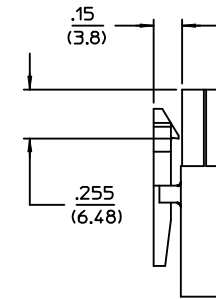
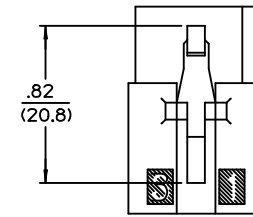
RECEPTACLE

TOP MOUNTED THUMB LATCH VERSION SHOWN  
SCALE 3:1

RECOMMENDED PANEL  
OPENING



CIRCUIT I.D. NO'S.  
ON THIS SIDE



BOTTOM MOUNTED THUMB LATCH VERSION  
SEE SHEET 1 FOR OTHER DIMENSIONS

TOP MOUNTED THUMB LATCH VERSION  
SEE SHEET 1 FOR OTHER DIMENSIONS

<b>ADD MAT'L &amp; P/N</b> EC NO: UCP2007-2702 DRW/PRI/DDR: 2008/12/15 CHKD/AEL/HAG: 2008/12/16 APPR/FSM/TH: 2008/12/16	QUALITY SYMBOLS = 0 = 0	GENERAL TOLERANCES (UNLESS SPECIFIED) <table border="1"> <thead> <tr> <th></th> <th>mm</th> <th>INCH</th> </tr> </thead> <tbody> <tr> <td>4 PLACES</td> <td>± .---</td> <td>± .---</td> </tr> <tr> <td>3 PLACES</td> <td>± .---</td> <td>± .010</td> </tr> <tr> <td>2 PLACES</td> <td>± 0.25</td> <td>± .014</td> </tr> <tr> <td>1 PLACE</td> <td>± 0.36</td> <td>± .---</td> </tr> </tbody> </table>		mm	INCH	4 PLACES	± .---	± .---	3 PLACES	± .---	± .010	2 PLACES	± 0.25	± .014	1 PLACE	± 0.36	± .---	DIMENSION STYLE <b>IN/MM</b>	SCALE <b>2:1</b>	DESIGN UNITS <b>INCH</b>	THIRD ANGLE PROJECTION
		mm	INCH																		
	4 PLACES	± .---	± .---																		
	3 PLACES	± .---	± .010																		
2 PLACES	± 0.25	± .014																			
1 PLACE	± 0.36	± .---																			
DRAWN BY GMC DATE 1989/10/31	TITLE <b>.092/(2.36) HOUSING, RECEPTACLE, 3 CIRCUIT</b>																				
CHECKED BY RW DATE 1989/10/31	<b>MOLEX INCORPORATED</b>																				
APPROVED BY GWF DATE 1989/10/31	MATERIAL NO. <b>SEE CHART</b>	DOCUMENT NO. <b>SD-6496-3R*</b>	SHEET NO. <b>2 OF 2</b>																		

DRAFT WHERE APPLICABLE MUST REMAIN WITHIN DIMENSIONS

SIZE THIS DRAWING CONTAINS INFORMATION THAT IS PROPRIETARY TO MOLEX. INCORPORATED AND SHOULD NOT BE USED WITHOUT WRITTEN PERMISSION