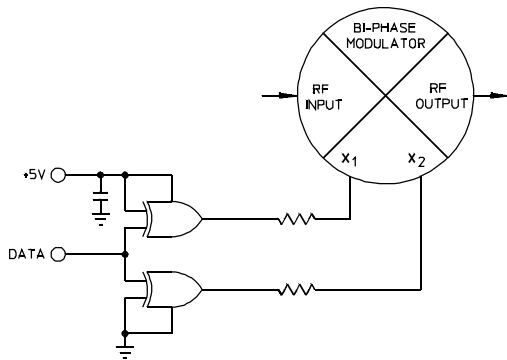




BTM-2A Series

BIPHASE MODULATOR

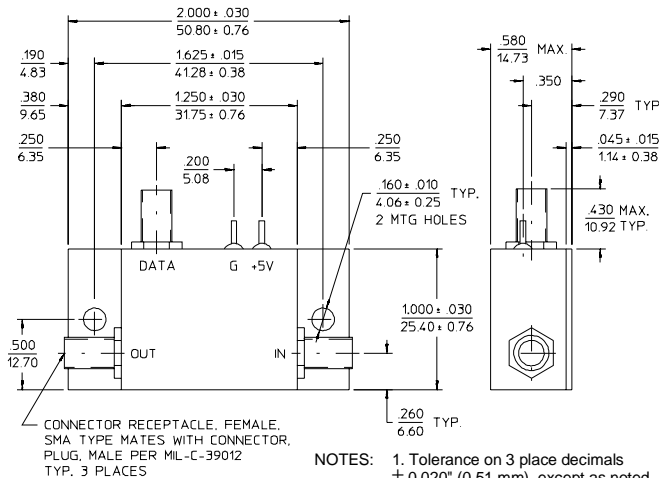
2 to 2500 MHz / Direct TTL Input / Uses Only +5V Supply / Fast Switching / SMA Connectors



PRINCIPAL SPECIFICATIONS

| Model Number | Frequency Range, MHz | Insertion Loss, dB, | | Amplitude Balance, dB, | | Phase Balance | | Carrier Suppression, Typ. |
|--------------|----------------------|---------------------|------|------------------------|------|---------------|------|---------------------------|
| | | Max. | Typ. | Max. | Typ. | Max. | Typ. | |
| BTM-2A-250 | 2 – 500 | 3.5 | 2.5 | 0.3 | 0.10 | ±4° | ±2° | - 40 dBc |
| BTM-2A-500 | 10 – 500 | 3 | 2 | 0.3 | 0.20 | ±3° | ±1° | - 40 dBc |
| | 500 – 1000 | 4 | 3 | 0.5 | 0.20 | ±4° | ±2° | - 35 dBc |
| BTM-2A-1500 | 1000 – 2000 | 6 | 5 | 0.75 | 0.25 | ±5° | ±2° | - 30 dBc |
| BTM-2A-2250 | 1500 – 2500 | 6 | 5 | 1.0 | 0.25 | ±5° | ±2° | - 30 dBc |

A-Package Outline



GENERAL SPECIFICATIONS

Impedance: 50 Ω nom.
 RF Input Level: - 3 dBm max.
 VSWR: 2.0:1 max.
 Switching Speed: 5 nS typ.
 50% Control to 90% RF
 Data Signal Levels: TTL compatible
 Power Supply: +5 VDC @ 25 mA
 Weight, nominal: 1.5 oz (42 g)
 Operating Temp: - 55° to +85°C

AVAILABLE OPTIONS

Direct Input (No driver): As BPM series
 Integral ECL Driver: As BEM series

General Notes:

1. The BTM-2A series of Biphase Modulators covers the frequency range of 2 to 2500 MHz and includes interfacing circuitry so units may be driven directly using a +5V supply.
2. Customized versions are available for special frequency bands matched to your special applications.
3. Most units in this series are available in a variety of alternative packages such as the Meri-Pac™ or flatpack (see BTF-2A series). Units supplied without integral TTL drivers are available in the BPM-2A series.
4. All units comply with the applicable sections of MIL-M-28837 and may be supplied screened for compliance with additional specifications for military and space applications requiring the highest reliability.

22Feb96