

**PLEASE CHECK WWW.MOLEX.COM FOR LATEST PART INFORMATION**

**Part Number:** [0878351442](#)  
**Status:** **Active**  
**Overview:** [cgrid\\_sl\\_products](#)  
**Description:** 2.54mm (.100") Pitch C-Grid® Header, Right Angle, Through Hole, Dual Row, Low Profile, Shrouded, 14 Circuits, 0.76µm (30µ") Gold (Au) Selective Plating, Center Polarization Slot, with Two End Slots, Lead-free

**Documents:**

[3D Model](#) [Product Specification PS-70246-100 \(PDF\)](#)  
[Drawing \(PDF\)](#) [RoHS Certificate of Compliance \(PDF\)](#)

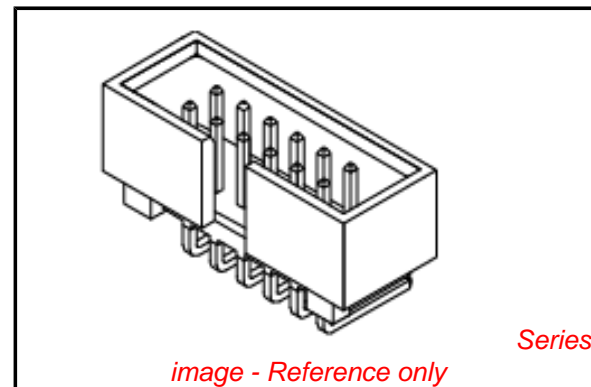
**General**

Product Family	PCB Headers
Series	<a href="#">87835</a>
Application	Wire-to-Board
Overview	<a href="#">cgrid_sl_products</a>
Product Name	C-Grid®

**Physical**

Breakaway	No
Circuits (Loaded)	14
Circuits (maximum)	14
Color - Resin	Natural
Durability (mating cycles max)	50
First Mate / Last Break	No
Glow-Wire Compliant	No
Guide to Mating Part	No
Keying to Mating Part	None
Lock to Mating Part	None
Material - Plating Mating	Gold
Material - Plating Termination	Tin
Material - Resin	Nylon
Number of Rows	2
Orientation	Right Angle
PC Tail Length (in)	0.100 In
PC Tail Length (mm)	2.54 mm
PCB Locator	No
PCB Retention	None
PCB Thickness Recommended (in)	0.062 In
PCB Thickness Recommended (mm)	1.60 mm
Packaging Type	Tray
Pitch - Mating Interface (in)	0.100 In
Pitch - Mating Interface (mm)	2.54 mm
Plating min: Mating (µin)	30
Plating min: Mating (µm)	0.75
Plating min: Termination (µin)	75.2
Plating min: Termination (µm)	1.88
Polarized to Mating Part	Center Slot
Polarized to PCB	No
Shrouded	Fully
Stackable	No
Surface Mount Compatible (SMC)	Yes
Temperature Range - Operating	-55°C to +120°C
Termination Interface: Style	Through Hole

**Electrical**



**EU RoHS**

**ELV and RoHS Compliant**  
**REACH SVHC Contains SVHC: No**  
**Halogen-Free Status**

**China RoHS**



**Not Reviewed**

**Need more information on product environmental compliance?**

Email [productcompliance@molex.com](mailto:productcompliance@molex.com)  
 For a multiple part number RoHS Certificate of Compliance, [click here](#)

Please visit the [Contact Us](#) section for any non-product compliance questions.

**Search Parts in this Series**

[87835Series](#)

**Mates With**

.050" pitch ribbon cable connectors

Current - Maximum per Contact	2.5A
Voltage - Maximum	250V

**Material Info**

**Reference - Drawing Numbers**

Packaging Specification	PK-87835-001
Product Specification	PS-70246-100
Sales Drawing	SD-87835-003

This document was generated on 05/25/2010

**PLEASE CHECK [WWW.MOLEX.COM](http://WWW.MOLEX.COM) FOR LATEST PART INFORMATION**

10 9 8 7 6 5 4 3 2 1

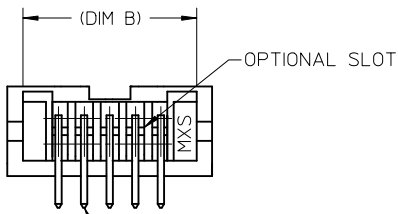
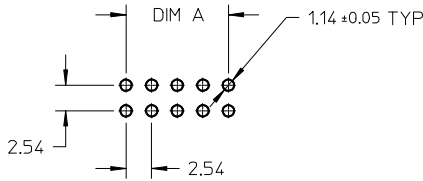
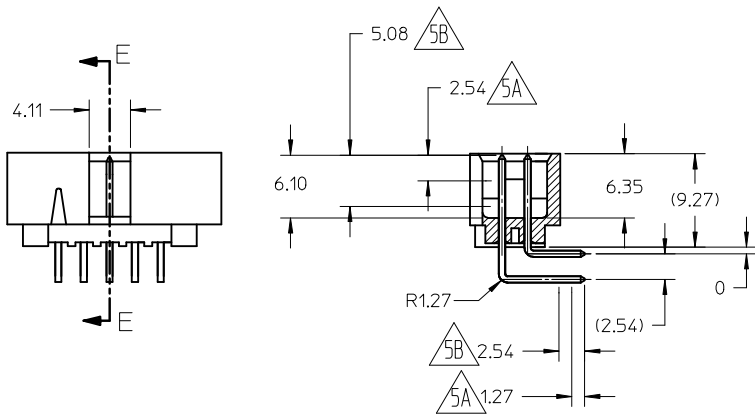
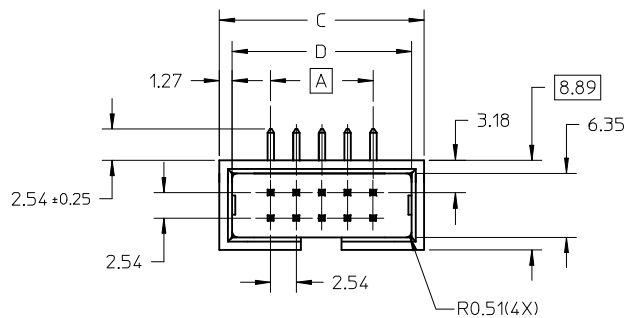
PART NUMBER LEGEND

87835-\*\*\*

CKT SIZE

6 PLATING OPTION

PART NUMBER	CKT SIZE	A	B	C	D
87835-0842	08	7.62	14.73	17.78	15.24
87835-1042	10	10.16	17.27	20.32	17.78
87835-1242	12	12.70	19.81	22.86	20.32
87835-1442	14	15.24	22.35	25.40	22.86
87835-1642	16	17.78	24.89	27.94	25.40
87835-2042	20	22.86	29.97	33.02	30.48
87835-2442	24	27.94	35.05	38.10	35.56
87835-2642	26	30.48	37.59	40.64	38.10
87835-3042	30	35.56	42.67	45.72	43.18
87835-3442	34	40.64	47.75	50.80	48.26
87835-4042	40	48.26	55.37	58.42	55.88
87835-4442	44	53.34	60.45	63.50	60.96
87835-5042	50	60.96	68.07	71.12	68.58



7 SOLDER TAIL POSITION

SECTION E-E

- NOTES:
- PIN PUSHOUT FORCE 0.91KG MIN.
  - PIN SOLDERABILITY PER MOLEX SPEC. ES-152
  - PRODUCT SPEC: PS-70246 APPLIES.
  - WAFER TO BE FLAT WITHIN 0.03MM/CM
  - DIMENSIONS FOR PLATING LOCATION : A - MEASURE POINT FOR THICKNESS. B - MINIMUM COVERAGE
  - FINISH : 0.76um MIN AU AT CONTACT & 1.91um MIN TIN AT SOLDER TAIL OVER 1.27um MIN NICKEL UNDERPLATE OVERALL.
  - SOLDER TAIL POSITION WILL BE INSPECTED BY GAUGE.

<b>UPDATES DRAWING</b> EC NO: S2009-0778 DRWN: YCHONG CHKD: ATSEE APPR: MLONG	QUALITY SYMBOLS ▽=0 ◻=0	GENERAL TOLERANCES (UNLESS SPECIFIED)		DIMENSION STYLE <b>MM ONLY</b>		SCALE NTS	DESIGN UNITS METRIC	THIRD ANGLE PROJECTION		
		4 PLACES ± --- ± ---	DRAWN BY RSHAN	DATE 2003/11/14	TITLE C-GRID, R/A, SHROUDED HEADER WITH 2 END SLOTS					
		3 PLACES ± --- ± ---	CHECKED BY KCLING	DATE 2003/11/19	MOLEX INCORPORATED					
		2 PLACES ± 0.20 ± --- 1 PLACE ± --- ± ---	APPROVED BY SKTOH	DATE 2003/11/26	DOCUMENT NO. SD-87835-003					
ANGULAR ± 3 °	DRAFT WHERE APPLICABLE MUST REMAIN WITHIN DIMENSIONS		MATERIAL NO. SEE TABLE		SHEET NO. 1 OF 1		THIS DRAWING CONTAINS INFORMATION THAT IS PROPRIETARY TO MOLEX INCORPORATED AND SHOULD NOT BE USED WITHOUT WRITTEN PERMISSION			

9 8 7 6 5 4 3 2 1