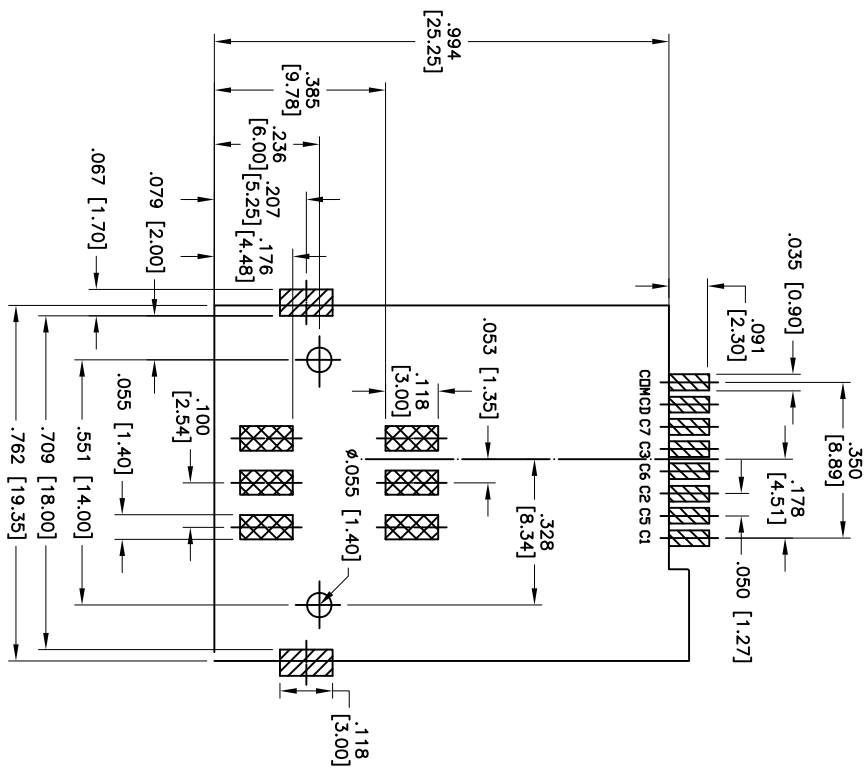
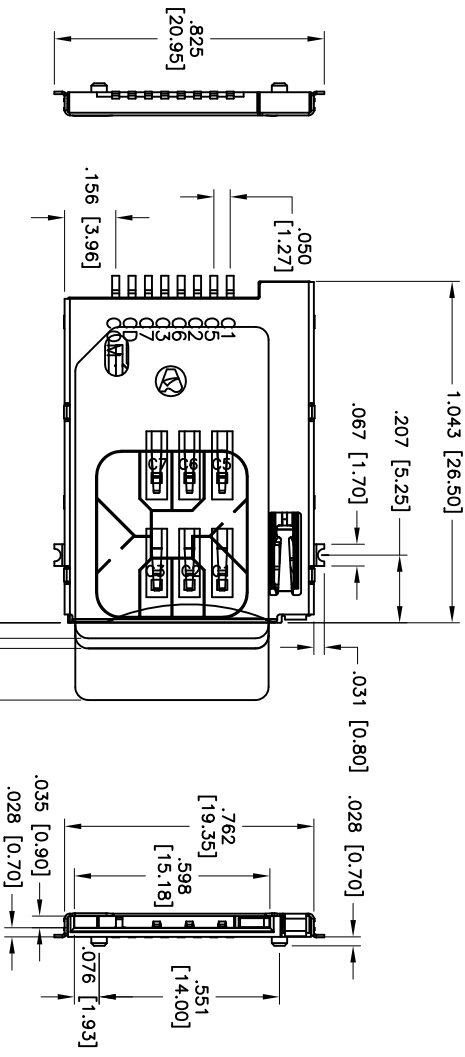
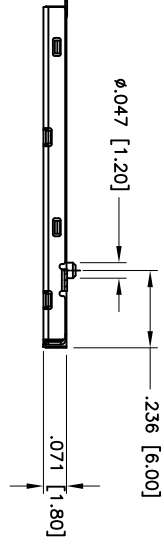
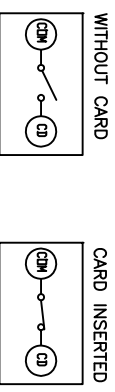


Rev	AWO #	Description	Date	Appr
-		RELEASED	9/30/08	
A		CHANGED TEMPERATURE	6/15/10	
B		REVISED SHAPE	10/7/10	

APPROVED: _____
 TITLE: _____
 DATE: _____



Recommended PCB Layout



CARD DETECT SW. STATUS.

SPECIFICATIONS:

- Material: LCP with glass fiber reinforced, rated UL 94V-0
- Insulator color: Black
- Contacts: Phosphor Bronze
- Metal cover and Boardlock: Stainless steel sheet.
- Plating: 10u" Gold over Nickel underplate on contact area, Tin over Copper underplate on SMT tails
- Electrical: Current rating: 0.5 Amps max. Contact resistance: 30 mohms max. Insulator resistance: 1000 Mohms min @ 500V DC. Dielectric withstanding voltage: 500 VAC for 1 minute
- Temperature Rating: Operating temperature: -40°C to +85°C
- Environmental: Lead free, RoHS compliant. Recommended soldering temp: 260°C for 5 sec.



UNLESS OTHERWISE SPECIFIED
 ALL DIMENSIONS ARE INCHES. [MM]
 TOLERANCES: EXCEPT AS NOTED
 INCHES: .10, .020, .015
 Holes: ±.10, ±.015, ±.010
 APPROVALS: DRAWN: DY 9/30/08
 CHECKED: APPROVED:

ADAM TECH
 909 Rahway Avenue, Union, NJ 07083
 Phone: 908-687-5000 Fax: 908-687-5710

TITLE	SIM CARD SOCKET 6+2 PIN, PUSH PUSH TYPE		
NO STAND OFF	SIZE	PART NO.	REV.
	X	SCCP-08-SG-SMT	B
REF:	S00009T	SCALE: NTS	SHEET 1 OF 1