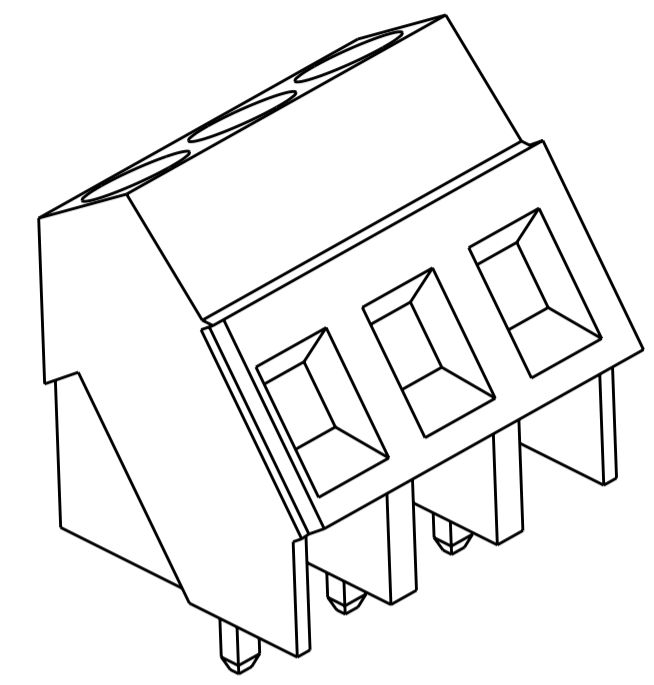
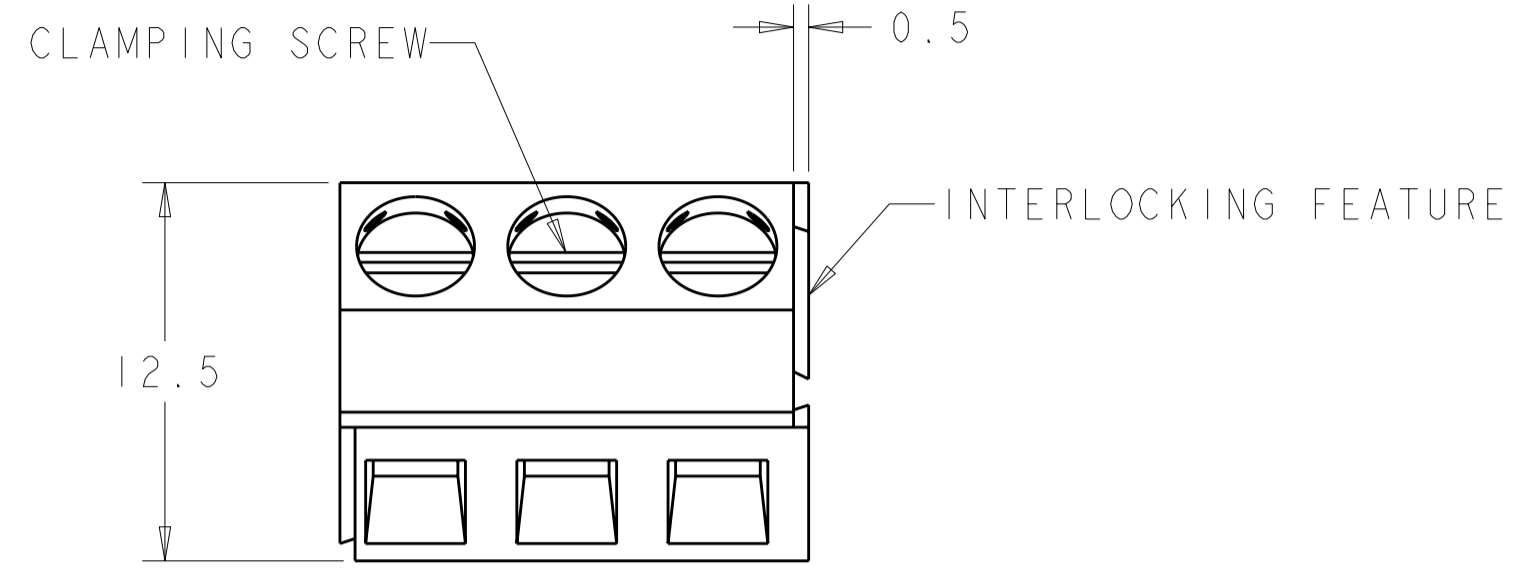
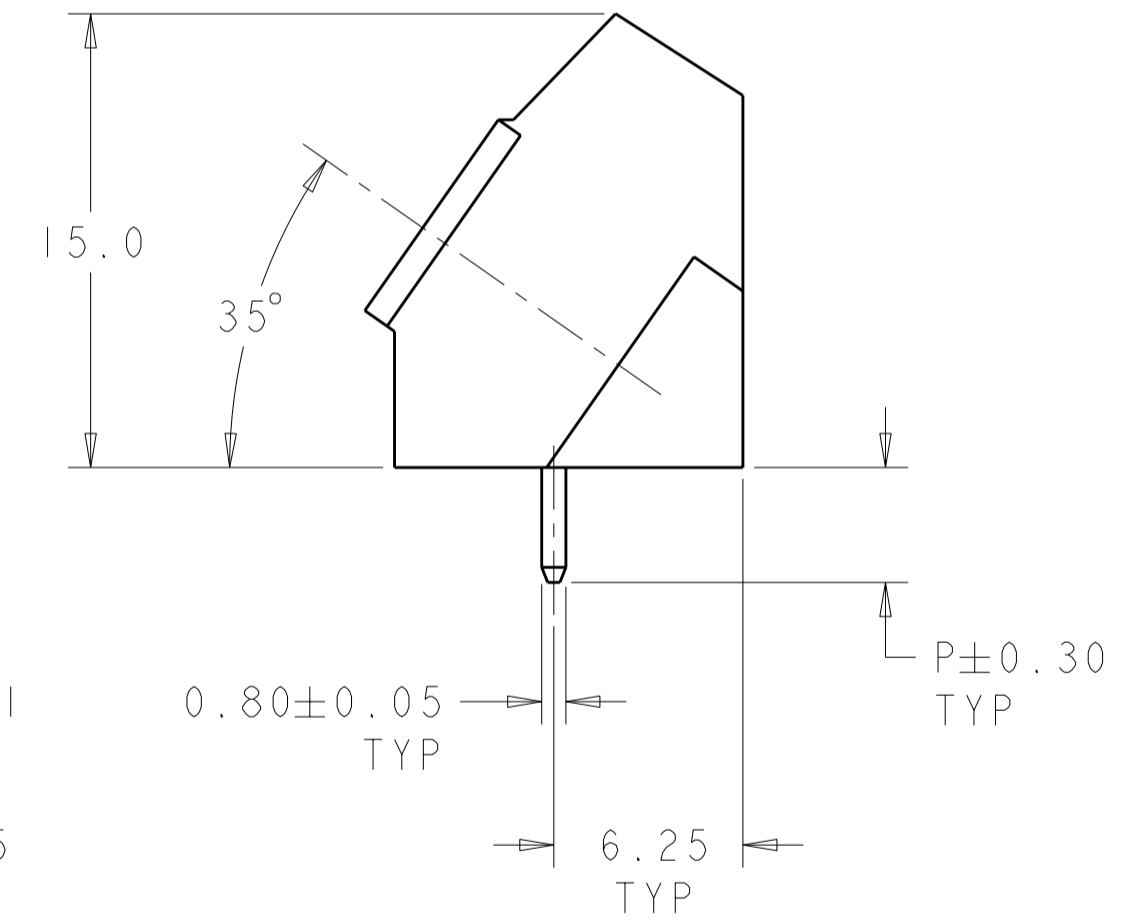
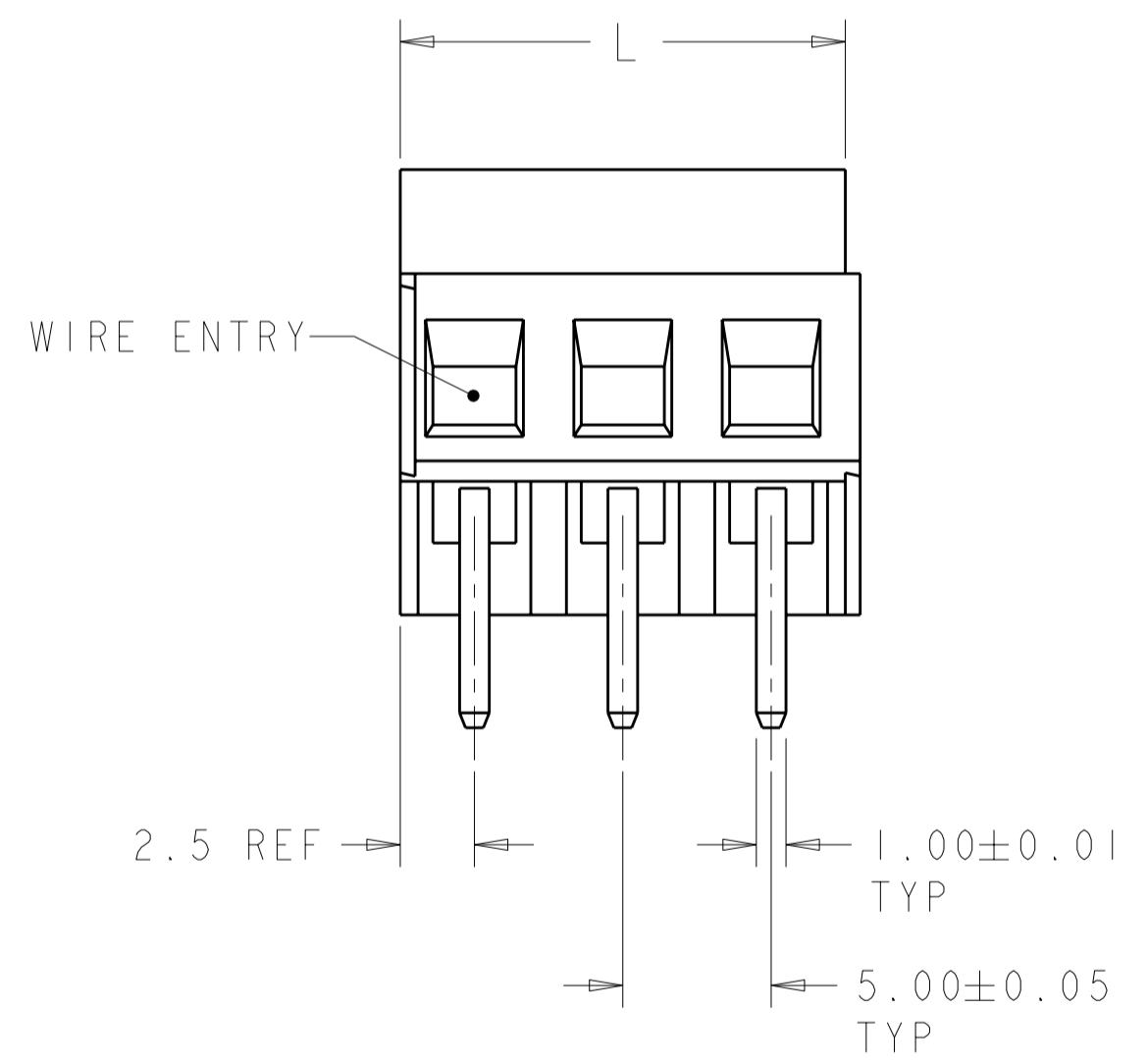


THIS DRAWING IS UNPUBLISHED. RELEASED FOR PUBLICATION 20
 © COPYRIGHT 20 BY TYCO ELECTRONICS CORPORATION. ALL RIGHTS RESERVED.

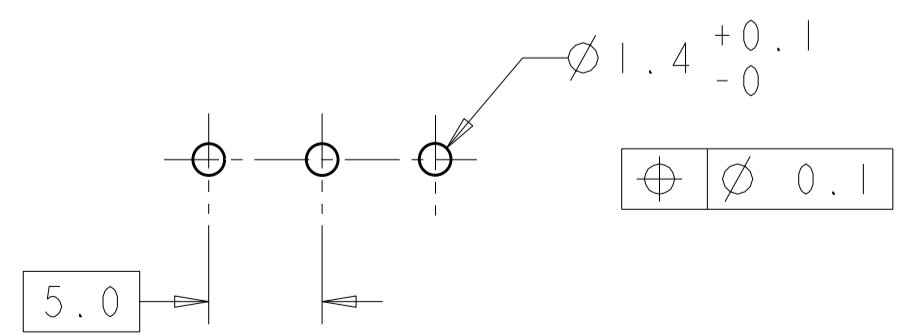
LOC		DIST		REVISIONS			
P	LTR	DESCRIPTION		DATE	DWN	APVD	
FT	0	EI	REVISED PER ECO-10-004175		02MAR2010	HMR	CR



796690-3 AS SHOWN



INK COLOR	MARKING	P	L	NO OF POSN	PART NUMBER	
-	-	6.0	15	3	5-796690-3	
-	-	6.0	10	2	5-796690-2	
△9	SEE DETAIL B	3.8	10	2	4-796690-2	
△8	SEE DETAIL F		40	8	3-796690-8	
△9	SEE DETAIL C		15	3	3-796690-3	
-	-		100	20	2-796690-0	
△9	SEE DETAIL C	3.8	15	3	1-796690-9	
△9	SEE DETAIL B		10	2	1-796690-8	
-	-		6.0	15	3	1-796690-7
-	-		6.0	10	2	1-796690-6
△8	SEE DETAIL E	3.8	25	5	1-796690-5	
△8	SEE DETAIL D		20	4	1-796690-4	
△8	SEE DETAIL A		10	2	1-796690-3	
-	-		60	12	1-796690-2	
-	-		55	11	1-796690-1	
-	-		50	10	1-796690-0	
-	-		45	9	796690-9	
-	-		40	8	796690-8	
-	-		35	7	796690-7	
-	-		30	6	796690-6	
-	-		25	5	796690-5	
-	-		20	4	796690-4	
-	-	15	3	796690-3		
-	-	10	2	796690-2		

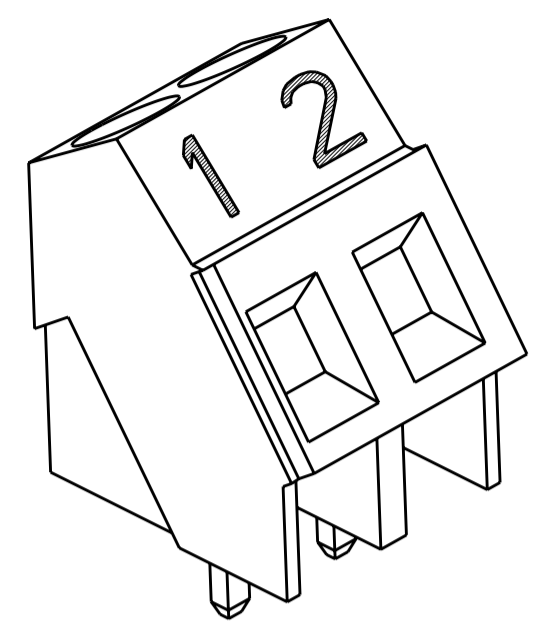


RECOMMENDED PC BOARD LAYOUT

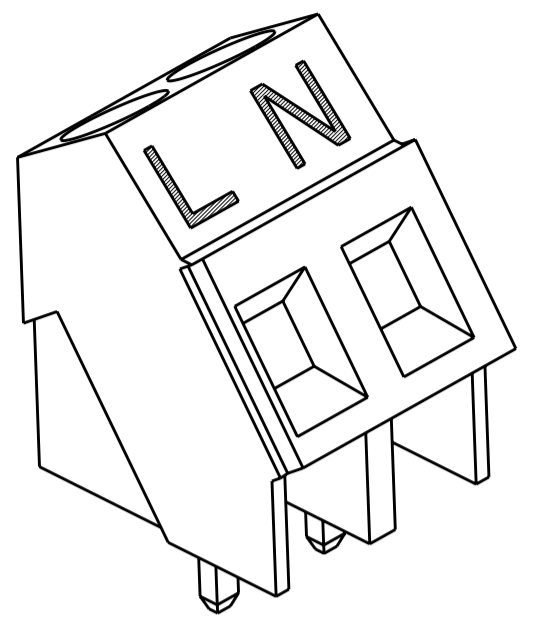
<small>THIS DRAWING IS A CONTROLLED DOCUMENT FOR TYCO ELECTRONICS CORPORATION. IT IS SUBJECT TO CHANGE AND THE CONTROLLING ENGINEERING ORGANIZATION SHOULD BE CONTACTED FOR THE LATEST REVISION.</small>		DWN E. ZANOLINI 14MAR2001 CHK D. BIEVENOUR 14MAR2001 APVD D. BIEVENOUR 14MAR2001	Tyco Electronics Harrisburg, PA 17105-3608
DIMENSIONS: mm	TOLERANCES UNLESS OTHERWISE SPECIFIED: 0 PLC ±. 1 PLC ±.3 2 PLC ±.25 3 PLC ±. 4 PLC ±. ANGLES ±2 FINISH	PRODUCT SPEC 108-20166 APPLICATION SPEC 114-20079 WEIGHT -	NAME TERMINAL BLOCK, PCB MOUNT ANGLED WIRE ENTRY, STACKING W/INTERLOCK, 5mm PITCH
MATERIAL		CUSTOMER DRAWING	SIZE A2 CAGE CODE 00779 DRAWING NO. 796690 RESTRICTED TO - SCALE 3:1 SHEET 1 OF 2 REV E1

THIS DRAWING IS UNPUBLISHED. RELEASED FOR PUBLICATION 20
 © COPYRIGHT 20 BY TYCO ELECTRONICS CORPORATION. ALL RIGHTS RESERVED.

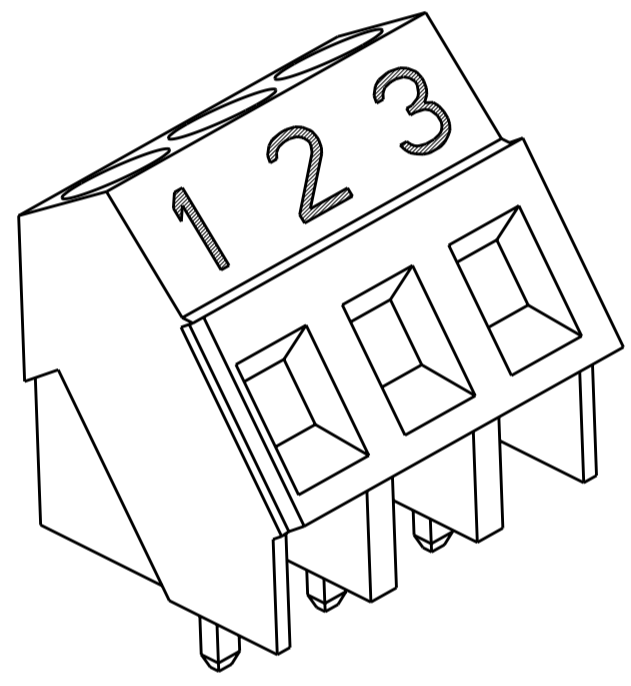
LOC	DIST	REVISIONS			
P	LTR	DESCRIPTION	DATE	DWN	APVD
FT	0	-	SEE SHEET 1	-	-



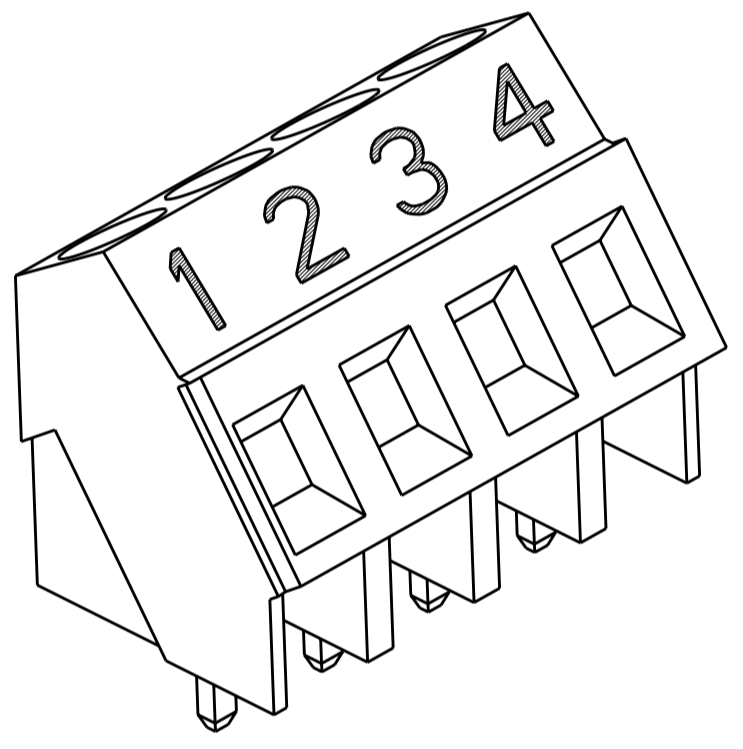
DETAIL A



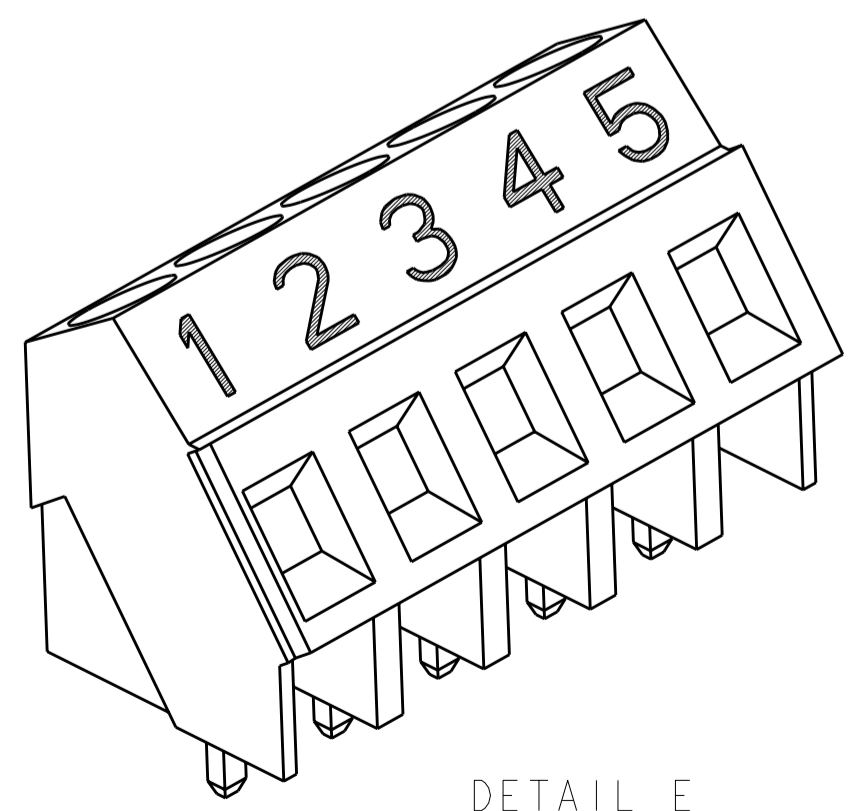
DETAIL B



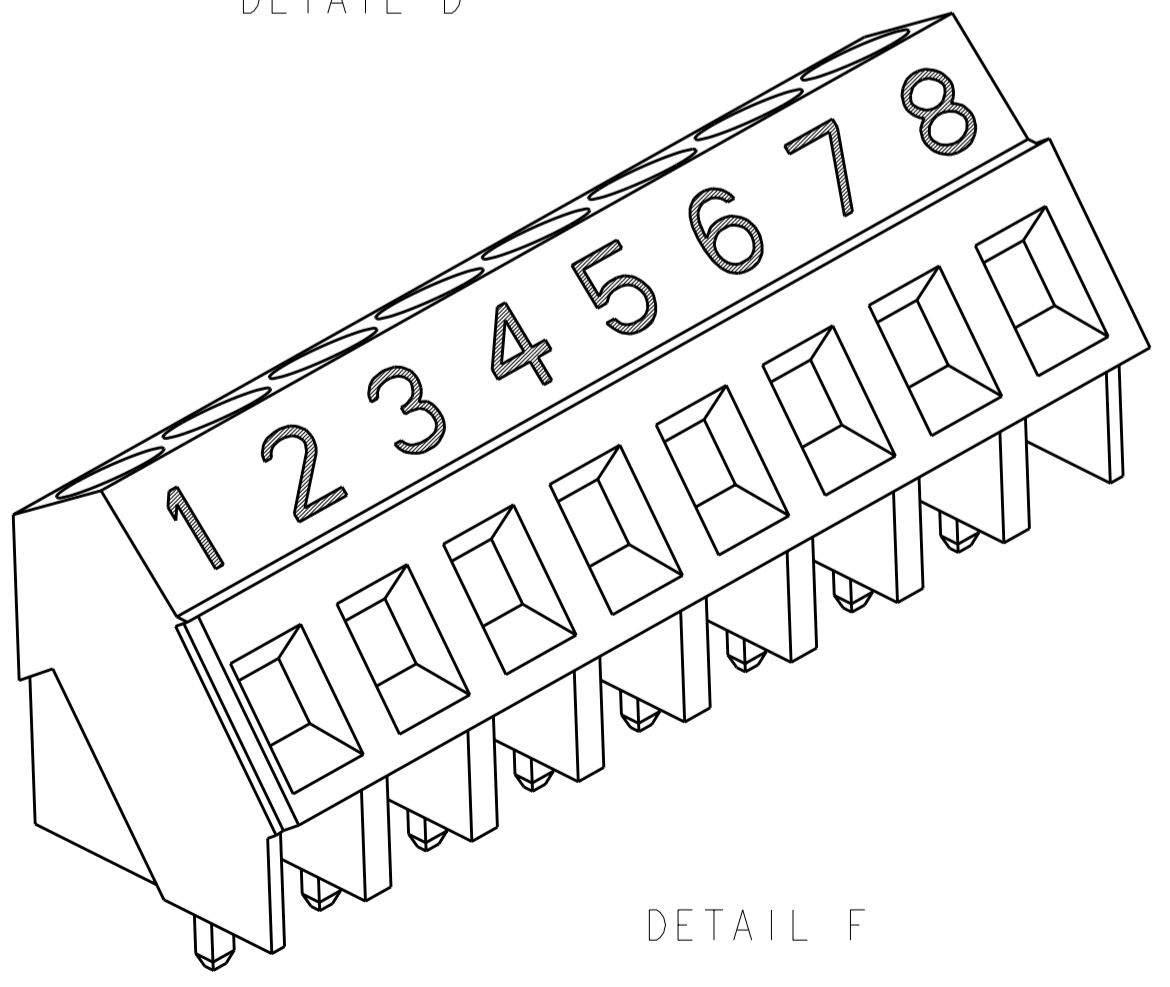
DETAIL C



DETAIL D



DETAIL E



DETAIL F

- 1. MATERIALS AND FINISH:
 HOUSING: PA 6-6, UL 94-V0, COLOR GREEN.
 CLAMP: BRASS, NICKEL PLATED.
 TERMINAL: BRASS, TIN PLATED.
 CLAMPING SCREW: M3, BRASS, NICKEL PLATED.
- 2. SUITABLE FOR 1,6-2,4mm PCB THICKNESS.
- 3. END-TO-END STACKABLE W/INTERLOCK, WITHOUT LOSS OF CENTERLINE SPACING.
- 4. WIRE RANGE: 12-30 AWG.
- 5. RECOGNIZED UNDER THE COMPONENT PROGRAM OF UNDERWRITERS LABORATORIES INC. FILE N° E60677.
- 6. IMQ CERTIFICATE WITH SURVEILLANCE IN CONFORMITY WITH IEC 998-1/998-2-1.
- 7. NOT CUMULATIVE TOLERANCE.
- 8. INK MARKED WHITE, UNLESS OTHERWISE SPECIFIED. NUMERICAL SEQUENCE FROM LEFT TO RIGHT.
- 9. INK MARKED BLACK, UNLESS OTHERWISE SPECIFIED. NUMERICAL SEQUENCE FROM LEFT TO RIGHT.
- 10. BUCHANAN LOGO TO APPEAR ON HOUSING, LOCATION OPTIONAL, WHERE SPACE PERMITS.

<small>THIS DRAWING IS A CONTROLLED DOCUMENT FOR TYCO ELECTRONICS CORPORATION. IT IS SUBJECT TO CHANGE AND THE CONTROLLING ENGINEERING ORGANIZATION SHOULD BE CONTACTED FOR THE LATEST REVISION.</small>		DWN E. ZANOLINI 14MAR2001 CHK D. BIEVENOUR 14MAR2001 APVD D. BIEVENOUR 14MAR2001	Tyco Electronics Tyco Electronics Harrisburg, PA 17105-3608
DIMENSIONS: mm 	TOLERANCES UNLESS OTHERWISE SPECIFIED: 0 PLC ±- 1 PLC ±.3 2 PLC ±.25 3 PLC ±- 4 PLC ±- ANGLES ±2 FINISH	PRODUCT SPEC - APPLICATION SPEC - WEIGHT -	NAME TERMINAL BLOCK, PCB MOUNT ANGLED WIRE ENTRY, STACKING W/INTERLOCK, 5mm PITCH SIZE A2 CAGE CODE 00779 DRAWING NO. C-796690 RESTRICTED TO -
MATERIAL -		CUSTOMER DRAWING	SCALE 3:1 SHEET 2 OF 2 REV E1