

Integrated 802.11 b/g WLAN Module

FEATURES

- IEEE 802.11 b/g compliant.
- Typical WLAN Transmit Power:
 - +18.0 dBm, 1 Mbps, CCK (b)
 - +13.9 dBm, 54 Mbps, OFDM (g)
- Typical WLAN Sensitivity:
 - - 88 dBm, 8% PER, 11 Mbps
 - -75 dBm, 10% PER, 54 Mbps
- Miniature footprint: 14 mm x 21 mm
- Low height profile: 2.3 mm
- Operating Voltage: 2.9V to 3.6V
- Operating temperature: -40 to +85° C
- Embedded network stack
- Wireless Security WEP, WPA Personal, WPA2 Personal
- Terminal for PCB/Chip antenna feeds
- Compact design based on Texas Instruments CC3000 transceiver
- SPI host interface
- Simple integration with microcontrollers and microprocessors
- Worldwide acceptance: FCC (USA), IC (Canada), and CE (Europe)
- Modular certification allows reuse of LSR FCC ID and ETSI certification without repeating the expensive testing on your end product
- RoHS compliant
- Streamlined development with LSR design services

APPLICATIONS

- Thermostats, appliances, HVAC controller, and remote displays, Smart Energy
- Home entertainment control
- Sensor Networks
- Medical
- Home Monitoring
- Toys

DESCRIPTION

The TiWi-SL is a high performance 2.4 GHz WLAN module that contains an IP networking stack in a pre-certified footprint that simplifies the process of implementing internet connectivity.



The module includes the necessary PHY, MAC, and network layers to support WLAN applications through a simple SPI connection to host microcontrollers or other embedded processors.

Need to get to market quickly? Not an expert in 802.11. Need a custom antenna? Would you like to own the design? Would you like a custom design? Not quite sure what you need? Do you need help with your host board? LSR Design Services will be happy to develop custom hardware or software, or assist with integrating the design. Contact us at sales@lsr.com or call us at 262-375-4400.

- Home automation
- Home Network aggregators
- Remote appliance diagnostics/support
- Home security
- Remote storage devices
- Home network appliance
- Cameras and video surveillance
- Fitness
- Cable replacement for medical and personal healthcare

ORDERING INFORMATION

Order Number	Description
450-0067	TiWi-SL Module (Tray, SPQ = 50)
450-0067R	TiWi-SL Module (Tape and Reel, SPQ = 1000)
450-0089	TiWi-SL EM Board with Chip Antenna

Table 1 Orderable TiWi-SL Part Numbers

MODULE ACCESSORIES



	Order Number	Description
	001-0001	2.4 GHz Dipole Antenna with Reverse Polarity SMA Connector
	080-0001	U.FL to Reverse Polarity SMA Bulkhead Cable 105mm

Table 2 Module Accessories

APPLICABLE DOCUMENTS

- TiWi-SL EM Board User Guide (330-0086)
- TiWi-SL Antenna Design Guide (330-0092)

BLOCK DIAGRAM

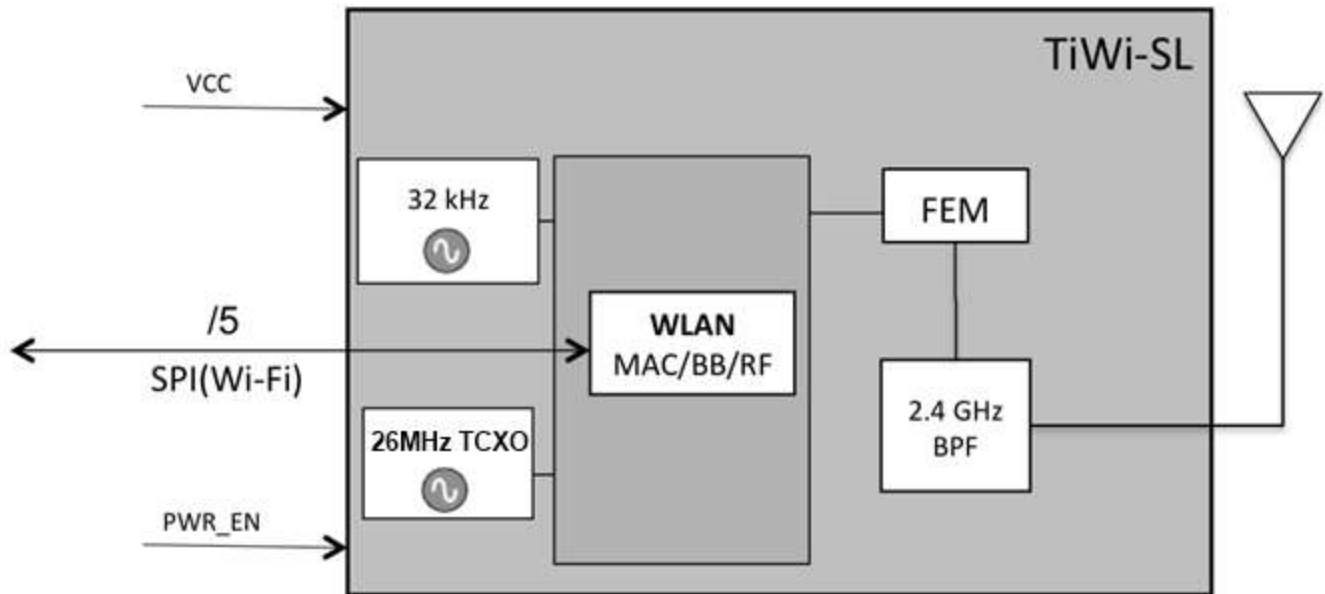


Figure 1 TiWi-SL Module Block Diagram – Top Level

FUNCTIONAL BLOCK FEATURES

WLAN Features

- IEEE802.11b/g compliant WLAN MAC Baseband Processor and RF transceiver
- IEEE Std 802.11d,i PICS compliant
- Supports serial debug interface
- Supports Serial Peripheral Interface (SPI) Host Interface
- **Media Access Controller (MAC)**
 - Embedded ARM™ Central Processing Unit (CPU)
 - Hardware-Based Encryption/Decryption Using 64-, 128-Bit WEP, TKIP or AES Keys,
 - Supports requirements for Wireless Fidelity (Wi-Fi) Protected Access (WPA and WPA2.0) and IEEE
 - Std 802.11i [Includes Hardware-Accelerated Advanced-Encryption Standard (AES)]
- Baseband Processor
- **2.4GHz Radio**
 - Digital Radio Processor (DRP) implementation
 - Internal LNA
 - Supports : IEEE Std 802.11b, 802.11g, 802.11b/g

Network Stack Supported Protocols

- **Transport layer:**
 - TCP
 - UDP
- **Network layer:**
 - IPv4
 - Ping
 - DHCP
 - DNS Client
- **Link layer:**
 - ARP

Wireless Security System Features

- **Supported modes:**
 - Open (no security)
 - WEP
 - WPA-personal
 - WPA2-personal
- **Supported encryption types:**
 - WEP
 - TKIP
 - AES
 - Open

TABLE OF CONTENTS

FEATURES	1
APPLICATIONS.....	1
DESCRIPTION	1
ORDERING INFORMATION	2
MODULE ACCESSORIES	2
APPLICABLE DOCUMENTS.....	2
BLOCK DIAGRAM.....	3
FUNCTIONAL BLOCK FEATURES	4
WLAN Features	4
Network Stack Supported Protocols.....	4
Wireless Security System Features	4
PIN DESCRIPTIONS.....	8
ELECTRICAL SPECIFICATIONS	10
Absolute Maximum Ratings	10
Recommended Operating Conditions	10
General Characteristics.....	11
TCP and UDP Throughput.....	12
Power Consumption	13
RF Characteristics	14
SPI HOST CONTROLLER INTERFACE.....	20
Overview	20
SPI Interface Description.....	20
SPI Line Description	20
SPI Timing.....	21
DEVICE POWER-UP AND ENABLE	22
DEVICE POWER-DOWN	23
SOLDERING RECOMMENDATIONS	24
Recommended Reflow Profile for Lead Free Solder	24
CLEANING	25

The information in this document is subject to change without notice.

OPTICAL INSPECTION	25
REWORK	25
SHIPPING, HANDLING, AND STORAGE	25
Shipping	25
Handling	25
Moisture Sensitivity Level (MSL)	25
Storage	25
Repeating Reflow Soldering	26
AGENCY CERTIFICATIONS	27
AGENCY STATEMENTS	27
Federal Communication Commission Interference Statement	27
Industry Canada Statements.....	28
OEM RESPONSIBILITIES TO COMPLY WITH FCC AND INDUSTRY CANADA REGULATIONS.....	29
OEM LABELING REQUIREMENTS FOR END-PRODUCT	30
OEM END PRODUCT USER MANUAL STATEMENTS.....	31
EUROPE	32
CE Notice	32
Declaration of Conformity (DOC)	32
MECHANICAL DATA.....	33
PCB FOOTPRINT	34
TRAY PACKAGING (MM).....	35
TAPE AND REEL PACKAGING.....	36
REFERENCE SCHEMATIC	37
DEVICE MARKINGS.....	38
CONTACTING LSR.....	40

TIWI-SL MODULE FOOTPRINT AND PIN DEFINITIONS

To apply the TiWi-SL module, it is important to use the module pins in your application as they are designated below, and in the corresponding pin definition table found on pages 8 and 9. Not all the pins on the TiWi-SL module may be used, as some are reserved.

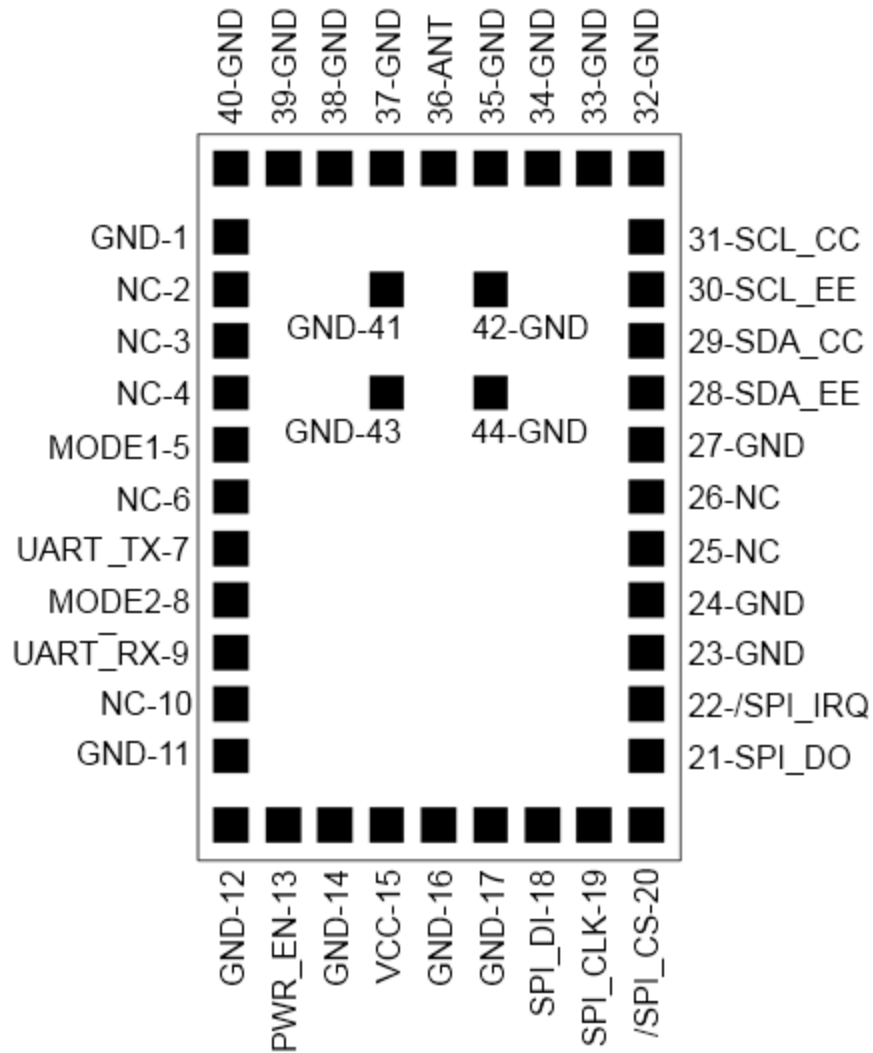


Figure 2 TiWi-SL Pinout

PIN DESCRIPTIONS

Module Pin	Name	I/O Type	Buffer Type	Logic Level	Description
1	GND	GND	-	-	GROUND
2	NC	-	-	-	NO CONNECT (DO NOT CONNECT)
3	NC	-	-	-	NO CONNECT (DO NOT CONNECT)
4	NC	-	-	-	NO CONNECT (DO NOT CONNECT)
5	MODE1	DI	-	-	MODE1 (SHORT TO MODE2 FOR NORMAL USE, SHORT TO GROUND FOR TEST USE)
6	NC	-	-	-	NO CONNECT (DO NOT CONNECT)
7	UART_TX ⁽¹⁾	DO	-	1.8 VDC	TEST UART TX (1.8V LOGIC)
8	MODE2	DI	-	-	MODE2 (SHORT TO MODE1 FOR NORMAL USE, LEAVE OPEN FOR TEST USE)
9	UART_RX ⁽¹⁾	DI	-	1.8 VDC	TEST UART RX (1.8V LOGIC)
10	NC	-	-	-	NO CONNECT (DO NOT CONNECT)
11	GND	GND	-	-	GROUND
12	GND	GND	-	-	GROUND
13	PWR_EN	DI	-	VCC	MODULE POWER ENABLE
14	GND	GND	-	-	GROUND
15	VCC	PI	-	-	POWER TO MODULE (2.9-3.6 VDC)
16	GND	GND	-	-	GROUND
17	GND	GND	-	-	GROUND
18	SPI_DI	DI	-	VCC	HOST INTERFACE SPI DATA IN
19	SPI_CLK	DI	-	VCC	HOST INTERFACE SPI CLOCK
20	/SPI_CS	DI	-	VCC	HOST INTERFACE SPI CHIP SELECT (ACTIVE LOW)
21	SPI_DO	DO	10mA	VCC	HOST INTERFACE SPI DATA OUT
22	/SPI_IRQ	DO	10mA	VCC	HOST INTERFACE SPI INTERRUPT (ACTIVE LOW)
23	GND	GND	-	-	GROUND
24	GND	GND	-	-	GROUND
25	NC	-	-	-	NO CONNECT (DO NOT CONNECT)
26	NC	-	-	-	NO CONNECT (DO NOT CONNECT)
27	GND	GND	-	-	GROUND
28	SDA_EE ⁽²⁾	DIO	-	1.8 VDC	I2C DATA LINE FROM EEPROM (1.8V LOGIC)
29	SDA_CC ⁽²⁾	DIO	4mA	1.8 VDC	I2C DATA LINE FROM CC3000, PULLED UP INTERNALLY (1.8V LOGIC)
30	SCL_EE ⁽³⁾	DI	-	1.8 VDC	I2C CLOCK LINE FROM EEPROM (1.8V LOGIC)

The information in this document is subject to change without notice.

Module Pin	Name	I/O Type	Buffer Type	Logic Level	Description
31	SCL_CC ⁽³⁾	DO	4mA	1.8 VDC	I2C CLOCK LINE FROM CC3000, PULLED UP INTERNALLY (1.8V LOGIC)
32	GND	GND	-	-	GROUND
33	GND	GND	-	-	GROUND
34	GND	GND	-	-	GROUND
35	GND	GND	-	-	GROUND
36	ANT ⁽⁴⁾	RF	-	-	ANTENNA, 50 OHMS
37	GND	GND	-	-	GROUND
38	GND	GND	-	-	GROUND
39	GND	GND	-	-	GROUND
40	GND	GND	-	-	GROUND
41	GND	GND	-	-	GROUND
42	GND	GND	-	-	GROUND
43	GND	GND	-	-	GROUND
44	GND	GND	-	-	GROUND

(1) These signals are test UART signals which are 1.8v logic, and they should be left unconnected for normal operation.

(2) The I2C data signals from the CC3000 and EEPROM must be connected together for normal operation.

(3) The I2C clock signals from the CC3000 and EEPROM must be connected together for normal operation.

(4) The antenna terminal presents a DC short circuit to ground.

PI = Power Input
DI = Digital Input
DO = Digital Output
DIO = Bi-directional Digital Port
RF = Bi-directional RF Port
GND=Ground

Table 3 TiWi-SL Module Pin Descriptions

ELECTRICAL SPECIFICATIONS

Absolute Maximum Ratings

Parameter	Min	Max	Unit
Power supply voltage (VCC)	-0.5	+3.8	V
Voltage on digital pins ⁽¹⁾	-0.5	VCC + 0.5	V
Voltage on EEPROM and UART test pins ⁽²⁾	-0.5	2.1	V
RF input power, antenna port		+10	dBm
Operating temperature	-40	+85	°C
Storage temperature	-55	+125	°C

(1) This includes the SPI signals and the PWR_EN signal.

(2) These signals are not intended for general purpose use.

Table 4 Absolute Maximum Ratings

Recommended Operating Conditions

Parameter	Min	Typical	Max	Unit
VCC	2.9	3.3	3.6	V
Voltage on digital pins ⁽¹⁾	0	3.3	VCC	V
Voltage on EEPROM and UART test pins ⁽²⁾	0		1.8	V
Ambient temperature range ⁽³⁾	-30	25	75	°C

(1) Applies to SPI signals.

(2) These signals are not intended for general purpose use.

(3) The device can be reliably operated for 5000 active hours cumulative at T_{ambient} of 85°C.

Table 5 Recommended Operating Conditions

General Characteristics

DC Characteristics – UART/EEPROM I/O

Parameter	Test Conditions	Min	Typical	Max	Unit
Logic input low, V_{IL}		0	-	0.63	V
Logic input high, V_{IH}		1.7	-	1.8	V
Logic output low, V_{OL}	8mA	0	-	0.45	V
Logic output high, V_{OH}	8mA	1.4	-	1.8	V

Table 6 DC Characteristics General Purpose I/O

DC Characteristics – General Purpose I/O

Parameter	Test Conditions	Min	Typical	Max	Unit
Logic input low, V_{IL}		0	-	0.8	V
Logic input high, V_{IH}		2.0	-	VCC	V
Logic output low, V_{OL}	12mA	0	-	0.8	V
Logic output high, V_{OH}	12mA	2.3	-	VCC	V

Applies to the SPI signals and the PWR_EN signal.

Table 7 DC Characteristics General Purpose I/O

RF Characteristics

Parameter	Min	Typical	Max	Unit
RF frequency range	2412		2472	MHz
RF data rate	1	802.11 b/g rates supported	54	Mbps

Table 8 RF Characteristics

TCP and UDP Throughput

Traffic Type	Privacy	Throughput (Mbps)
UDP Tx	Open	6.9
UDP Rx	Open	5.5
TCP Tx	Open	3.5
TCP Rx	Open	2.6
UDP Tx	WEP128	6.6
UDP Rx	WEP128	5.5
TCP Tx	WEP128	3.2
TCP Rx	WEP128	2.5
UDP Tx	WPAv1	6.5
UDP Rx	WPAv1	5.5
TCP Tx	WPAv1	3.3
TCP Rx	WPAv1	2.4
UDP Tx	WPAv2	6.8
UDP Rx	WPAv2	5.5
TCP Tx	WPAv2	3.3
TCP Rx	WPAv2	2.5

Table 9 TCP and UDP Throughput

Power Consumption

Parameter	Test Conditions	Min	Typical	Max	Unit
DSSS (b) TX Current	2437 MHz, VCC = 3.3V, T _{amb} = +25°C Po = 18 dBm, 1 Mbps BPSK L = 1200 bytes, t _{delay} (idle) = 40 uS	-	250	-	mA
DSSS (b) TX Current	2437 MHz, VCC = 3.3V, T _{amb} = +25°C Po = 17.9 dBm, 11 Mbps CCK L = 1200 bytes, t _{delay} (idle) = 40 uS	-	249	-	mA
OFDM (g) TX Current	2437 MHz, VCC = 3.3V, T _{amb} = +25°C Po = 17.9 dBm, 18 Mbps QPSK L = 1200 bytes, t _{delay} (idle) = 4 uS	-	235	-	mA
OFDM (g) TX Current	2437 MHz, VCC = 3.3V, T _{amb} = +25°C Po = 13.9 dBm, 54 Mbps 64-QAM L = 1200 bytes, t _{delay} (idle) = 4 uS	-	177	-	mA
DSSS (b) RX Current		-	92	-	mA
OFDM (g) RX Current		-	92	-	mA
Power Down Mode [1]		-	<1	-	uA

[1] Total Current from VCC when PWR_EN is low and VCC is present.

Table 10 WLAN Power Consumption

RF Characteristics

WLAN Transmitter Characteristics (TA = +25°C, VCC = 3.3 V)

Parameter	Test Conditions	Min	Typ	Max	Unit
1 Mbps DSSS (b) TX Output Power	1 Mbps BPSK 802.11(b) Mask Compliance 35% EVM RMS power over TX packet	-	18.0	-	dBm
2 Mbps DSSS (b) TX Output Power	2 Mbps QPSK 802.11(b) Mask Compliance 35% EVM RMS power over TX packet	-	18.0	-	dBm
11 Mbps DSSS (b) TX Output Power	11 Mbps CCK 802.11(b) Mask Compliance 35% EVM RMS power over TX packet	-	17.9	-	dBm
6 Mbps OFDM (g) TX Output Power	6 Mbps BPSK 802.11(g) Mask Compliance -5 dB EVM RMS power over TX packet	-	17.8	-	dBm
9 Mbps OFDM (g) TX Output Power	9 Mbps BPSK 802.11(g) Mask Compliance -8 dB EVM RMS power over TX packet	-	17.8	-	dBm
18 Mbps OFDM (g) TX Output Power	18 Mbps QPSK 802.11(g) Mask Compliance -13 dB EVM RMS power over TX packet	-	17.9	-	dBm
36 Mbps OFDM (g) TX Output Power	36 Mbps 16-QAM 802.11(g) Mask Compliance -19 dB EVM RMS power over TX packet	-	17.9	-	dBm
54 Mbps OFDM (g) TX Output Power	54 Mbps 64-QAM 802.11(g) Mask Compliance -25 dB EVM RMS power over TX packet	-	13.9	-	dBm

Table 11 WLAN Transmitter RF Characteristics

WLAN Transmitter Characteristics
(TA = +85°C, VCC = 3.3 V)

Parameter	Test Conditions	Min	Typ	Max	Unit
1 Mbps DSSS (b) TX Output Power	1 Mbps BPSK 802.11(b) Mask Compliance 35% EVM RMS power over TX packet	-	17.9	-	dBm
2 Mbps DSSS (b) TX Output Power	2 Mbps QPSK 802.11(b) Mask Compliance 35% EVM RMS power over TX packet	-	17.9	-	dBm
11 Mbps DSSS (b) TX Output Power	11 Mbps CCK 802.11(b) Mask Compliance 35% EVM RMS power over TX packet	-	17.8	-	dBm
6 Mbps OFDM (g) TX Output Power	6 Mbps BPSK 802.11(g) Mask Compliance -5 dB EVM RMS power over TX packet	-	17.6	-	dBm
9 Mbps OFDM (g) TX Output Power	9 Mbps BPSK 802.11(g) Mask Compliance -8 dB EVM RMS power over TX packet	-	17.6	-	dBm
18 Mbps OFDM (g) TX Output Power	18 Mbps QPSK 802.11(g) Mask Compliance -13 dB EVM RMS power over TX packet	-	17.6	-	dBm
36 Mbps OFDM (g) TX Output Power	36 Mbps 16-QAM 802.11(g) Mask Compliance -19 dB EVM RMS power over TX packet	-	17.6	-	dBm
54 Mbps OFDM (g) TX Output Power	54 Mbps 64-QAM 802.11(g) Mask Compliance -25 dB EVM RMS power over TX packet	-	13.7	-	dBm

Table 12 WLAN Transmitter RF Characteristics

WLAN Transmitter Characteristics
(TA = -40°C, VCC = 3.3 V)

Parameter	Test Conditions	Min	Typ	Max	Unit
1 Mbps DSSS (b) TX Output Power	1 Mbps BPSK 802.11(b) Mask Compliance 35% EVM RMS power over TX packet	-	17.9	-	dBm
2 Mbps DSSS (b) TX Output Power	2 Mbps QPSK 802.11(b) Mask Compliance 35% EVM RMS power over TX packet	-	17.9	-	dBm
11 Mbps DSSS (b) TX Output Power	11 Mbps CCK 802.11(b) Mask Compliance 35% EVM RMS power over TX packet	-	17.7	-	dBm
6 Mbps OFDM (g) TX Output Power	6 Mbps BPSK 802.11(g) Mask Compliance -5 dB EVM RMS power over TX packet	-	17.9	-	dBm
9 Mbps OFDM (g) TX Output Power	9 Mbps BPSK 802.11(g) Mask Compliance -8 dB EVM RMS power over TX packet	-	17.9	-	dBm
18 Mbps OFDM (g) TX Output Power	18 Mbps QPSK 802.11(g) Mask Compliance -13 dB EVM RMS power over TX packet	-	17.9	-	dBm
36 Mbps OFDM (g) TX Output Power	36 Mbps 16-QAM 802.11(g) Mask Compliance -19 dB EVM RMS power over TX packet	-	17.9	-	dBm
54 Mbps OFDM (g) TX Output Power	54 Mbps 64-QAM 802.11(g) Mask Compliance -25 dB EVM RMS power over TX packet	-	14.1	-	dBm

Table 13 WLAN Transmitter RF Characteristics

WLAN Receiver Characteristics
(TA = +25°C, VCC = 3.3V) [1]

Parameter	Test Conditions	Min	Typ	Max	Unit
1 Mbps DSSS (b) RX Sensitivity	8% PER	-	-98.4	-	dBm
2 Mbps DSSS (b) RX Sensitivity	8% PER	-	-95.0	-	dBm
11 Mbps DSSS (b) RX Sensitivity	8% PER	-	-88.3	-	dBm
6 Mbps OFDM (g) RX Sensitivity	10% PER	-	-91.6	-	dBm
9 Mbps OFDM (g) RX Sensitivity	10% PER	-	-90.8	-	dBm
18 Mbps OFDM (g) RX Sensitivity	10% PER	-	-88.0	-	dBm
36 Mbps OFDM (g) RX Sensitivity	10% PER	-	-81.3	-	dBm
54 Mbps OFDM (g) RX Sensitivity	10% PER	-	-75.3	-	dBm
1 Mbps DSSS (b) RX Overload Level	8% PER	-10	-	-	dBm
2 Mbps DSSS (b) RX Overload Level	8% PER	-10	-	-	dBm
11 Mbps DSSS (b) RX Overload Level	8% PER	-10	-	-	dBm
9 Mbps OFDM (g) RX Overload Level	10% PER	-17	-	-	dBm
18 Mbps OFDM (g) RX Overload Level	10% PER	-17	-	-	dBm
36 Mbps OFDM (g) RX Overload Level	10% PER	-17	-	-	dBm
54 Mbps OFDM (g) RX Overload Level	10% PER	-17	-	-	dBm

[1] Up to 2 dB degradation at Channel 13 for 11g modes and up to 2 dB degradation at Channel 14 for 11b/g modes.

Table 14 WLAN Receiver RF Characteristics

WLAN Receiver Characteristics
(TA = +85°C, VCC = 3.3V) [1]

Parameter	Test Conditions	Min	Typ	Max	Unit
1 Mbps DSSS (b) RX Sensitivity	8% PER	-	-97.0	-	dBm
2 Mbps DSSS (b) RX Sensitivity	8% PER	-	-93.7	-	dBm
11 Mbps DSSS (b) RX Sensitivity	8% PER	-	-88.0	-	dBm
6 Mbps OFDM (g) RX Sensitivity	10% PER	-	-90.5	-	dBm
9 Mbps OFDM (g) RX Sensitivity	10% PER	-	-89.5	-	dBm
18 Mbps OFDM (g) RX Sensitivity	10% PER	-	-86.1	-	dBm
36 Mbps OFDM (g) RX Sensitivity	10% PER	-	-80.1	-	dBm
54 Mbps OFDM (g) RX Sensitivity	10% PER	-	-74.3	-	dBm
1 Mbps DSSS (b) RX Overload Level	8% PER	-10	-	-	dBm
2 Mbps DSSS (b) RX Overload Level	8% PER	-10	-	-	dBm
11 Mbps DSSS (b) RX Overload Level	8% PER	-10	-	-	dBm
9 Mbps OFDM (g) RX Overload Level	10% PER	-17	-	-	dBm
18 Mbps OFDM (g) RX Overload Level	10% PER	-17	-	-	dBm
36 Mbps OFDM (g) RX Overload Level	10% PER	-17	-	-	dBm
54 Mbps OFDM (g) RX Overload Level	10% PER	-17	-	-	dBm

[1] Up to 2 dB degradation at Channel 13 for 11g modes and up to 2 dB degradation at Channel 14 for 11b/g modes.

Table 15 WLAN Receiver RF Characteristics

**WLAN Receiver Characteristics
(TA = -40°C, VCC = 3.3V) [1]**

Parameter	Test Conditions	Min	Typ	Max	Unit
1 Mbps DSSS (b) RX Sensitivity	8% PER	-	-99.6	-	dBm
2 Mbps DSSS (b) RX Sensitivity	8% PER	-	-96.1	-	dBm
11 Mbps DSSS (b) RX Sensitivity	8% PER	-	-90.4	-	dBm
6 Mbps OFDM (g) RX Sensitivity	10% PER	-	-92.8	-	dBm
9 Mbps OFDM (g) RX Sensitivity	10% PER	-	-91.9	-	dBm
18 Mbps OFDM (g) RX Sensitivity	10% PER	-	-88.4	-	dBm
36 Mbps OFDM (g) RX Sensitivity	10% PER	-	-82.4	-	dBm
54 Mbps OFDM (g) RX Sensitivity	10% PER	-	-76.3	-	dBm
1 Mbps DSSS (b) RX Overload Level	8% PER	-10	-	-	dBm
2 Mbps DSSS (b) RX Overload Level	8% PER	-10	-	-	dBm
11 Mbps DSSS (b) RX Overload Level	8% PER	-10	-	-	dBm
9 Mbps OFDM (g) RX Overload Level	10% PER	-17	-	-	dBm
18 Mbps OFDM (g) RX Overload Level	10% PER	-17	-	-	dBm
36 Mbps OFDM (g) RX Overload Level	10% PER	-17	-	-	dBm
54 Mbps OFDM (g) RX Overload Level	10% PER	-17	-	-	dBm

[1] Up to 2 dB degradation at Channel 13 for 11g modes and up to 2 dB degradation at Channel 14 for 11b/g modes.

Table 16 WLAN Receiver RF Characteristics

SPI HOST CONTROLLER INTERFACE

The main interface to the TiWi-SL Module is a Serial Peripheral Interface (SPI).

This section describes the SPI Host Controller interface (HCI).

Overview

The SPI interface provides high-speed data transfer capability with low power consumption for mobile electronic devices. The SPI bus was designed to operate on a point-to-multipoint basis by providing a separate, active-low chip select (CS) per device.

- Supported clock rate = 0-16MHz
- The device interface is always an SPI Slave, host is always an SPI Master

SPI Interface Description

The SPI is based on the five-line, master/slave communication model see Figure 3

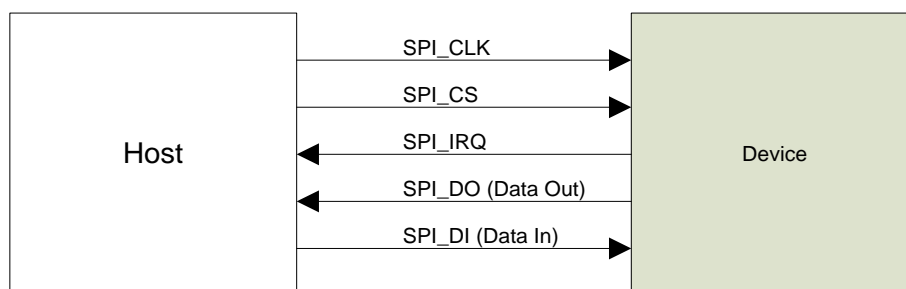


Figure 3 SPI Interface Signals

SPI Line Description

Port Name	Input/Output	Description
SPI_CLK	Input	Clock (0 MHz to 16MHz) from host to device
SPI_DI	Input	Data from host to device (MOSI)
SPI_CS(1)	Input	CS signal from host to device (active low)
SPI_IRQ(2)	Output	Interrupt from device to host
SPI_DO	Output	Data from device to host (MISO)

Table 17 SPI Interface Signals Description

- (1) SPI_CS selects the device, indicating that the host wants to communicate to the device.
 (2) SPI_IRQ is a dual purpose device to host direction line. When SPI communication is in an idle state (no data transfer), driving SPI_IRQ low indicates to the host the TiWi-SL module has data to pass to it. Driving SPI_IRQ low following a SPI_CS deassertion indicates that the TiWi-SL module is ready to receive data.

SPI Timing

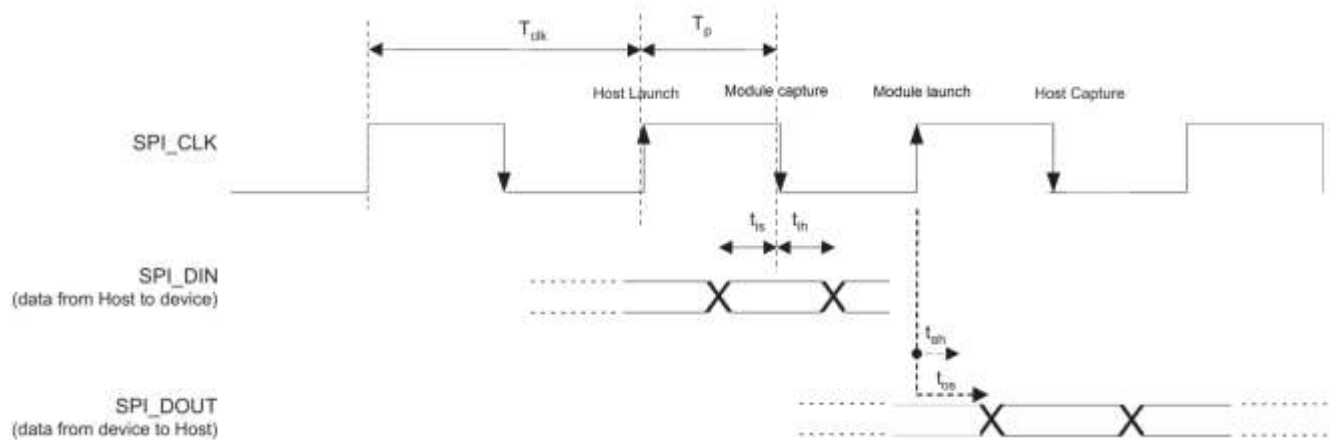


Figure 5 SPI Timing

Symbol	Parameter	Min	Max	Unit
T_{clk}	Clock period, CLK	62.5		ns
T_p	High Pulse width (including jitter and duty cycle)	25(2)	37.5	ns
t_{is}	RX setup time; minimum time in which data is stable before edge capture	5		ns
T_{in}	RX hold time; minimum time in which data is stable after edge capture	5		ns
T_{os}	TX setup propagation time; maximum time from launch edge until data is stable		10.2	ns
T_{oh}	TX hold propagation time; minimum time of stable data after launch edge	3		ns
C_L	Capacitive load on I/F		13	pF

Table 18 SPI Clock Switching Characteristics

- (1) SPI_CS is considered asynchronous.
- (2) 40%-60% dc (valid for the minimum clock period)

DEVICE POWER-UP AND ENABLE

Normal operation mode requirements:

1. The MODE1 and MODE2 signals need to be shorted together.

The normal SPI host write sequence is SPI_CS low (host → module), followed by SPI_IRQ low (module → host), indicating that the device is ready to accept data.

At Power-up, the sequence is slightly different. SPI_IRQ will go low (module → host) indicating the module has completed the power up sequence. The Host must wait an additional time (T2) from the assertion of SPI_CS (that is, bring SPI_CS low) before sending the first SPI packet.

Power-up sequence timing requirements:

1. Apply power to the module through the VCC input.
2. Wait for the module to power-up and stabilize (T0). This is to allow onboard oscillators to stabilize.
3. Enable the module through the PWR_EN input.
4. Wait for SPI_IRQ to be brought low by module (T1) before asserting CS.
5. Wait an additional time (T2) for the module to be ready before sending first packet.

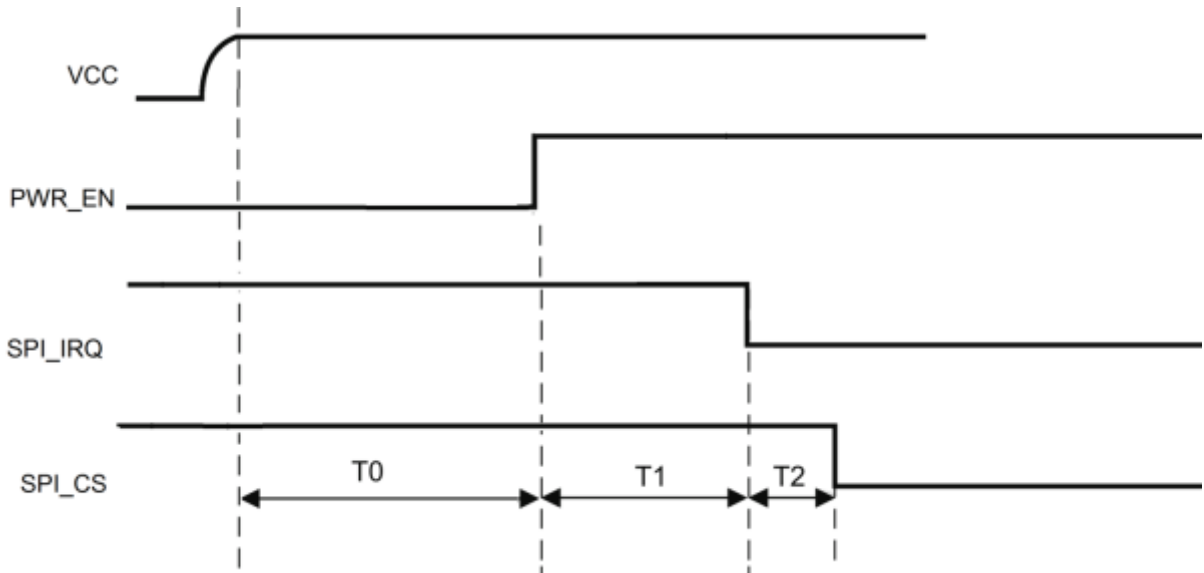


Figure 4 Device Power-Up Timing

Timing Parameter	Symbol	Max	Unit
VCC to PWR_EN Delay	T0	1000	ms
PWR_EN to SPI_IRQ	T1	53	ms
SPI_IRQ to SPI_CS	T2	7	ms

Table 19 Device Power-Up Timing

DEVICE POWER-DOWN

Normal operation power-down requirements:

1. Disable the module through the PWR_EN input.
2. Remove power to the module through the VCC input.

SOLDERING RECOMMENDATIONS

Recommended Reflow Profile for Lead Free Solder

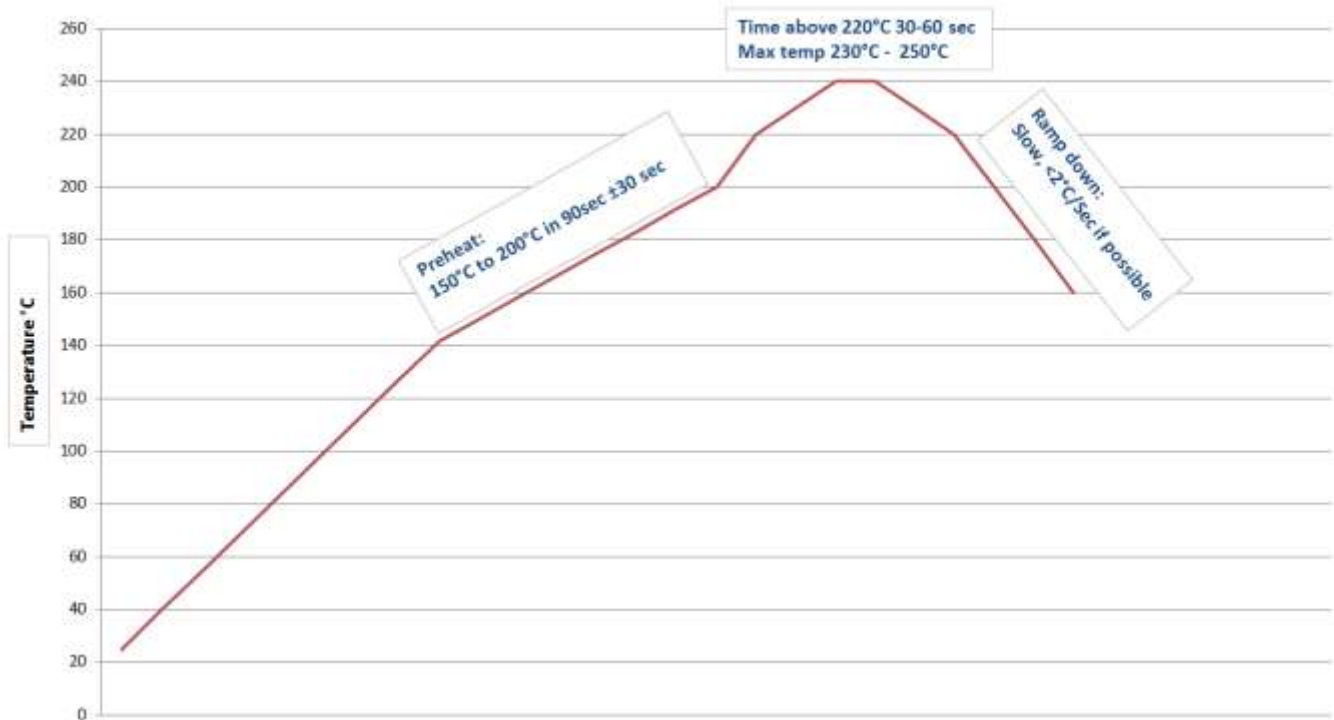


Figure 5 Recommended Soldering Profile

Note: The quality of solder joints on the surface mount pads where they contact the host board should meet the appropriate IPC Specification. See IPC-A-610-D Acceptability of Electronic Assemblies, section 8.2.1 “Bottom Only Terminations.”

CLEANING

In general, cleaning the populated modules is strongly discouraged. Residuals under the module cannot be easily removed with any cleaning process.

- Cleaning with water can lead to capillary effects where water is absorbed into the gap between the host board and the module. The combination of soldering flux residuals and encapsulated water could lead to short circuits between neighboring pads. Water could also damage any stickers or labels.
- Cleaning with alcohol or a similar organic solvent will likely flood soldering flux residuals into the RF shield, which is not accessible for post-washing inspection. The solvent could also damage any stickers or labels.
- Ultrasonic cleaning could damage the module permanently.

OPTICAL INSPECTION

After soldering the Module to the host board, consider optical inspection to check the following:

- Proper alignment and centering of the module over the pads.
- Proper solder joints on all pads.
- Excessive solder or contacts to neighboring pads, or vias.

REWORK

The TiWi-SL module can be unsoldered from the host board if the Moisture Sensitivity Level (MSL) requirements are met as described in this datasheet.

Never attempt a rework on the module itself, e.g. replacing individual components. Such actions will terminate warranty coverage.

SHIPPING, HANDLING, AND STORAGE

Shipping

Bulk orders of the TiWi-SL modules are delivered in trays of 50 or reels of 1,000.

Handling

The TiWi-SL modules contain a highly sensitive electronic circuitry. Handling without proper ESD protection may damage the module permanently.

Moisture Sensitivity Level (MSL)

Per J-STD-020, devices rated as MSL 4 and not stored in a sealed bag with desiccant pack should be baked prior to use.

Devices are packaged in a Moisture Barrier Bag with a desiccant pack and Humidity Indicator Card (HIC). Devices that will be subjected to reflow should reference the HIC and J-STD-033 to determine if baking is required.

If baking is required, refer to J-STD-033 for bake procedure.

Storage

Per J-STD-033, the shelf life of devices in a Moisture Barrier Bag is 12 months at <40°C and <90% room humidity (RH).

Do not store in salty air or in an environment with a high concentration of corrosive gas, such as Cl₂, H₂S, NH₃, SO₂, or NO_x.

Do not store in direct sunlight.

The product should not be subject to excessive mechanical shock.

Repeating Reflow Soldering

Only a single reflow soldering process is encouraged for host boards.

AGENCY CERTIFICATIONS

FCC ID: TFB-TIWISL01, 15.247

IC ID: 5969A-TIWISL01, RSS 210

CE: Compliant to standards EN 60950-1, EN 300 328, and EN 301 489

AGENCY STATEMENTS

Federal Communication Commission Interference Statement

This equipment has been tested and found to comply with the limits for a Class B digital device, pursuant to Part 15 of the FCC Rules. These limits are designed to provide reasonable protection against harmful interference in a residential installation. This equipment generates uses and can radiate radio frequency energy and, if not installed and used in accordance with the instructions, may cause harmful interference to radio communications. However, there is no guarantee that interference will not occur in a particular installation. If this equipment does cause harmful interference to radio or television reception, which can be determined by turning the equipment off and on, the user is encouraged to try to correct the interference by one of the following measures:

- Reorient or relocate the receiving antenna.
- Increase the separation between the equipment and receiver.
- Connect the equipment into an outlet on a circuit different from that to which the receiver is connected.
- Consult the dealer or an experienced radio/TV technician for help.

This device complies with Part 15 of the FCC Rules. Operation is subject to the following two conditions: (1) This device may not cause harmful interference, and (2) this device must accept any interference received, including interference that may cause undesired operation.

FCC CAUTION: Any changes or modifications not expressly approved by the party responsible for compliance could void the user's authority to operate this equipment.

Industry Canada Statements

Operation is subject to the following two conditions: (1) this device may not cause interference, and (2) this device must accept any interference, including interference that may cause undesired operation of the device.

To reduce potential radio interference to other users, the antenna type and its gain should be so chosen that the equivalent isotropically radiated power (e.i.r.p.) is not more than that permitted for successful communication.

This device has been designed to operate with the antenna(s) listed below, and having a maximum gain of 2.0 dBi (LSR Dipole) and 1.3dBi (Johanson Chip). Antennas not included in this list or having a gain greater than 2.0 dBi and 1.3dBi are strictly prohibited for use with this device. The required antenna impedance is 50 ohms.

List of all Antennas Acceptable for use with the Transmitter

- 1) LSR 001-0001 center-fed dipole antenna and LSR 080-0001 U.FL to Reverse Polarity SMA connector cable.
- 2) Johanson 2450AT43B100 chip antenna.

L'opération est soumise aux deux conditions suivantes: (1) cet appareil ne peut pas provoquer d'interférences et (2) cet appareil doit accepter toute interférence, y compris les interférences qui peuvent causer un mauvais fonctionnement de l'appareil.

Pour réduire le risque d'interférence aux autres utilisateurs, le type d'antenne et son gain doivent être choisis de manière que la puissance isotrope rayonnée équivalente (PIRE) ne dépasse pas celle permise pour une communication réussie.

Cet appareil a été conçu pour fonctionner avec l'antenne (s) ci-dessous, et ayant un gain maximum de 2,0 dBi (LSR dipôle) et 1.3dBi (Chip Johanson). Antennes pas inclus dans cette liste ou d'avoir un gain supérieur à 2,0 dBi et 1.3dBi sont strictement interdites pour l'utilisation avec cet appareil. L'impédance d'antenne requise est de 50 ohms.

Liste de toutes les antennes acceptables pour une utilisation avec l'émetteur

- 1) LSR 001-0001 alimenté par le centre antenne dipôle et LSR 080-0001 U.FL d'inversion de polarité du câble connecteur SMA.
- 2) Antenne Johanson puce 2450AT43B100.

OEM RESPONSIBILITIES TO COMPLY WITH FCC AND INDUSTRY CANADA REGULATIONS

The TiWi-SL Module has been certified for integration into products only by OEM integrators under the following conditions:

This device is granted for use in Mobile only configurations in which the antennas used for this transmitter must be installed to provide a separation distance of at least 20cm from all person and not be co-located with any other transmitters except in accordance with FCC and Industry Canada multi-transmitter product procedures.

As long as the two conditions above are met, further transmitter testing will not be required. However, the OEM integrator is still responsible for testing their end-product for any additional compliance requirements required with this module installed (for example, digital device emissions, PC peripheral requirements, etc.).

IMPORTANT NOTE: In the event that these conditions cannot be met (for certain configurations or co-location with another transmitter), then the FCC and Industry Canada authorizations are no longer considered valid and the FCC ID and IC Certification Number cannot be used on the final product. In these circumstances, the OEM integrator will be responsible for re-evaluating the end product (including the transmitter) and obtaining a separate FCC and Industry Canada authorization.

Le module de TiWi-SL a été certifié pour l'intégration dans des produits uniquement par des intégrateurs OEM dans les conditions suivantes:

Ce dispositif est accordé pour une utilisation dans des configurations mobiles seul dans lequel les antennes utilisées pour cet émetteur doit être installé pour fournir une distance de séparation d'au moins 20cm de toute personne et ne pas être colocalisés avec les autres émetteurs, sauf en conformité avec la FCC et de l'Industrie Canada, multi-émetteur procédures produit.

Tant que les deux conditions précitées sont réunies, les tests de transmetteurs supplémentaires ne seront pas tenus. Toutefois, l'intégrateur OEM est toujours responsable de tester leur produit final pour toutes les exigences de conformité supplémentaires requis avec ce module installé (par exemple, les émissions appareil numérique, les exigences de périphériques PC, etc.)

NOTE IMPORTANTE: Dans le cas où ces conditions ne peuvent être satisfaites (pour certaines configurations ou de co-implantation avec un autre émetteur), puis la FCC et Industrie autorisations Canada ne sont plus considérés comme valides et l'ID de la FCC et IC numéro de certification ne peut pas être utilisé sur la produit final. Dans ces circonstances, l'intégrateur OEM sera chargé de réévaluer le produit final (y compris l'émetteur) et l'obtention d'un distincte de la FCC et Industrie Canada l'autorisation.

OEM LABELING REQUIREMENTS FOR END-PRODUCT

The TiWi-SL module is labeled with its own FCC ID and IC Certification Number. The FCC ID and IC certification numbers are not visible when the module is installed inside another device, as such the end device into which the module is installed must display a label referring to the enclosed module. The final end product must be labeled in a visible area with the following:

“Contains Transmitter Module FCC ID: TFB-TIWISL01”

“Contains Transmitter Module IC: 5969A-TIWISL01”

or

“Contains FCC ID: TFB-TIWISL01”

“Contains IC: 5969A-TIWISL01”

The OEM of the TiWi-SL Module must only use the approved antenna(s) listed above, which have been certified with this module.

Le module de TiWi-SL est étiqueté avec son propre ID de la FCC et IC numéro de certification. L'ID de la FCC et IC numéros de certification ne sont pas visibles lorsque le module est installé à l'intérieur d'un autre appareil, comme par exemple le terminal dans lequel le module est installé doit afficher une étiquette faisant référence au module ci-joint. Le produit final doit être étiqueté dans un endroit visible par le suivant:

“Contient Module émetteur FCC ID: TFB-TIWISL01”

“Contient Module émetteur IC: 5969A-TIWISL01”

ou

“Contient FCC ID: TFB-TIWISL01”

“Contient IC: 5969A-TIWISL01”

Les OEM du module TiWi-SL ne doit utiliser l'antenne approuvée (s) ci-dessus, qui ont été certifiés avec ce module.

OEM END PRODUCT USER MANUAL STATEMENTS

The OEM integrator should not to provide information to the end user regarding how to install or remove this RF module or change RF related parameters in the user manual of the end product.

The user manual for the end product must include the following information in a prominent location:

This device is granted for use in Mobile only configurations in which the antennas used for this transmitter must be installed to provide a separation distance of at least 20cm from all person and not be co-located with any other transmitters except in accordance with FCC and Industry Canada multi-transmitter product procedures.

Other user manual statements may apply.

L'intégrateur OEM ne devraient pas fournir des informations à l'utilisateur final sur la façon d'installer ou de supprimer ce module RF ou modifier les paramètres liés RF dans le manuel utilisateur du produit final.

Le manuel d'utilisation pour le produit final doit comporter les informations suivantes dans un endroit bien en vue:

Ce dispositif est accordé pour une utilisation dans des configurations mobiles seule dans laquelle les antennes utilisées pour cet émetteur doit être installé pour fournir une distance de séparation d'au moins 20cm de toute personne et ne pas être co-localisés avec les autres émetteurs, sauf en conformité avec FCC et Industrie Canada, multi-émetteur procédures produit.

Autres déclarations manuel de l'utilisateur peuvent s'appliquer.

EUROPE

CE Notice

This device has been tested and certified for use in the European Union. See the Declaration of Conformity (DOC) for specifics.

If this device is used in a product, the OEM has responsibility to verify compliance of the final product to the EU standards. A Declaration of Conformity must be issued and kept on file as described in the Radio and Telecommunications Terminal Equipment (R&TTE) Directive.

The 'CE' mark must be placed on the OEM product per the labeling requirements of the Directive.

Declaration of Conformity (DOC)

This DOC can be downloaded from the LSR Wiki.

MECHANICAL DATA

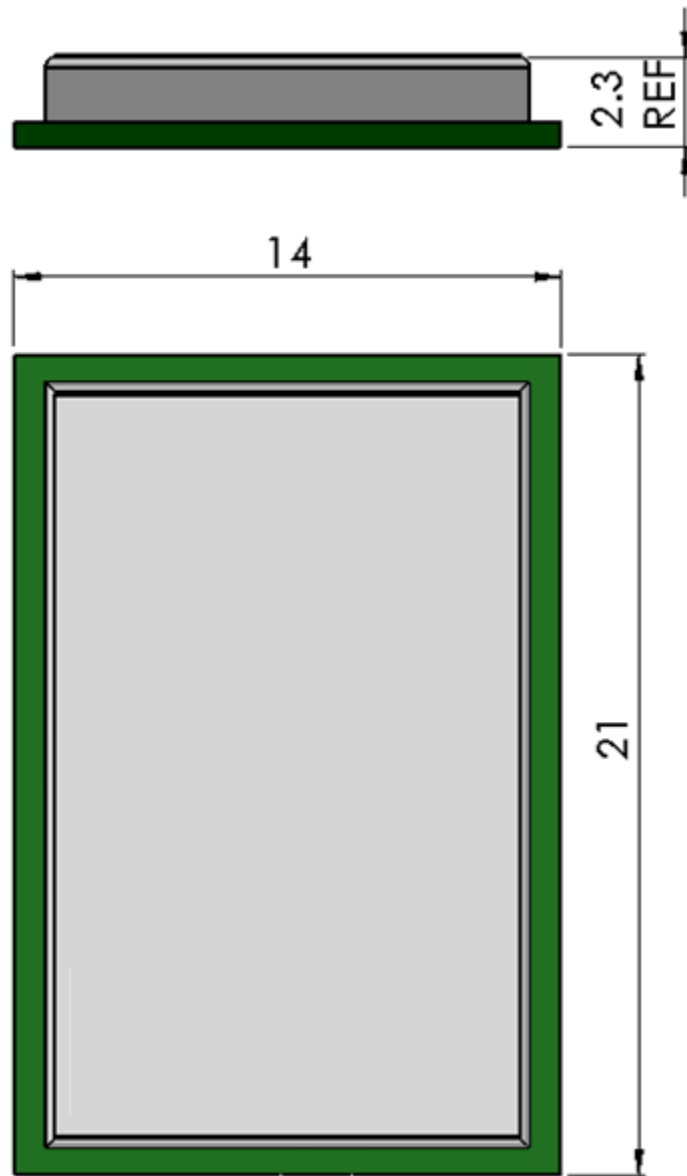


Figure 6 Module Mechanical Dimensions (Maximum Module Height = 2.4mm)

PCB FOOTPRINT

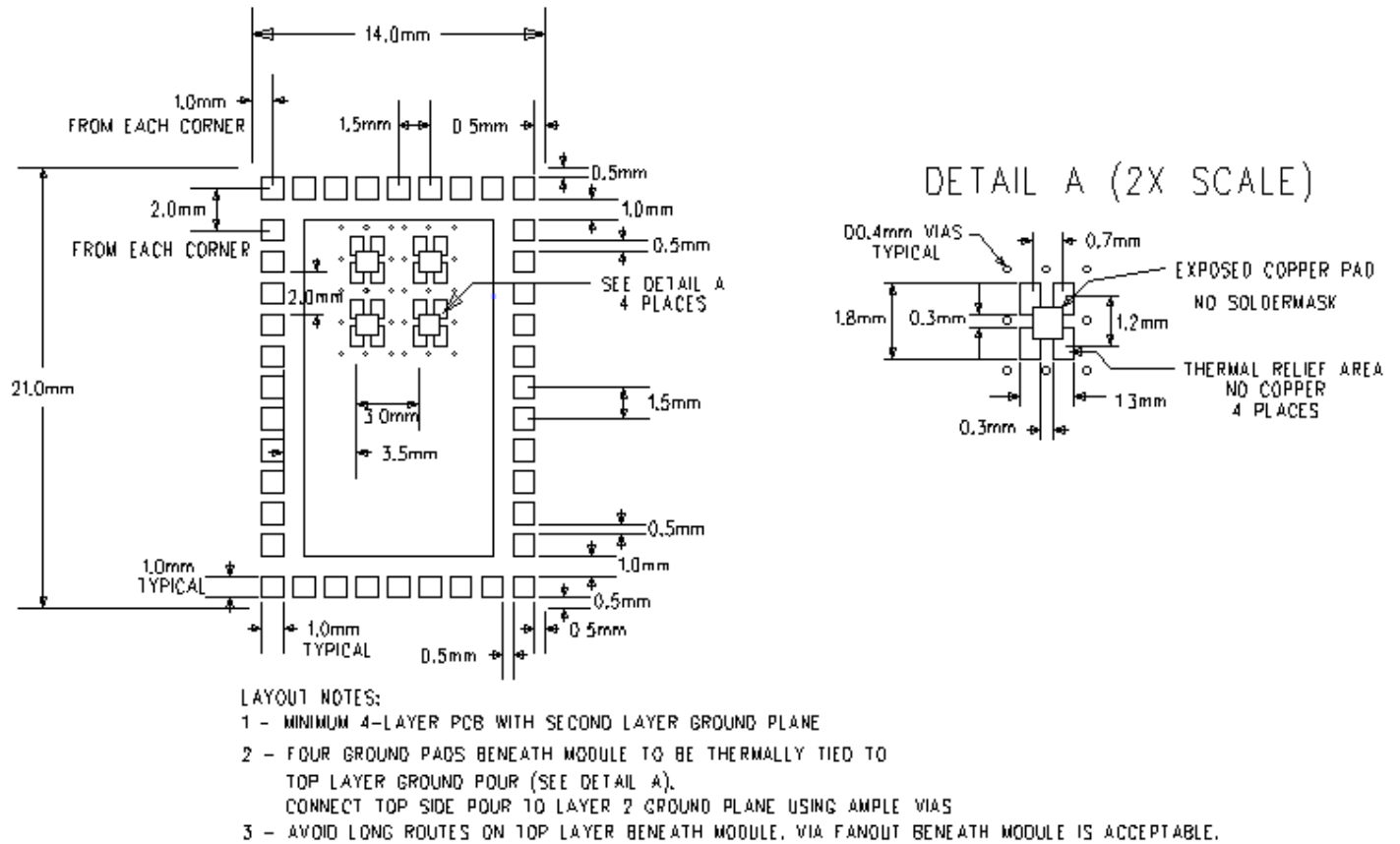


Figure 7 TiWi-SL Footprint

TRAY PACKAGING (MM)

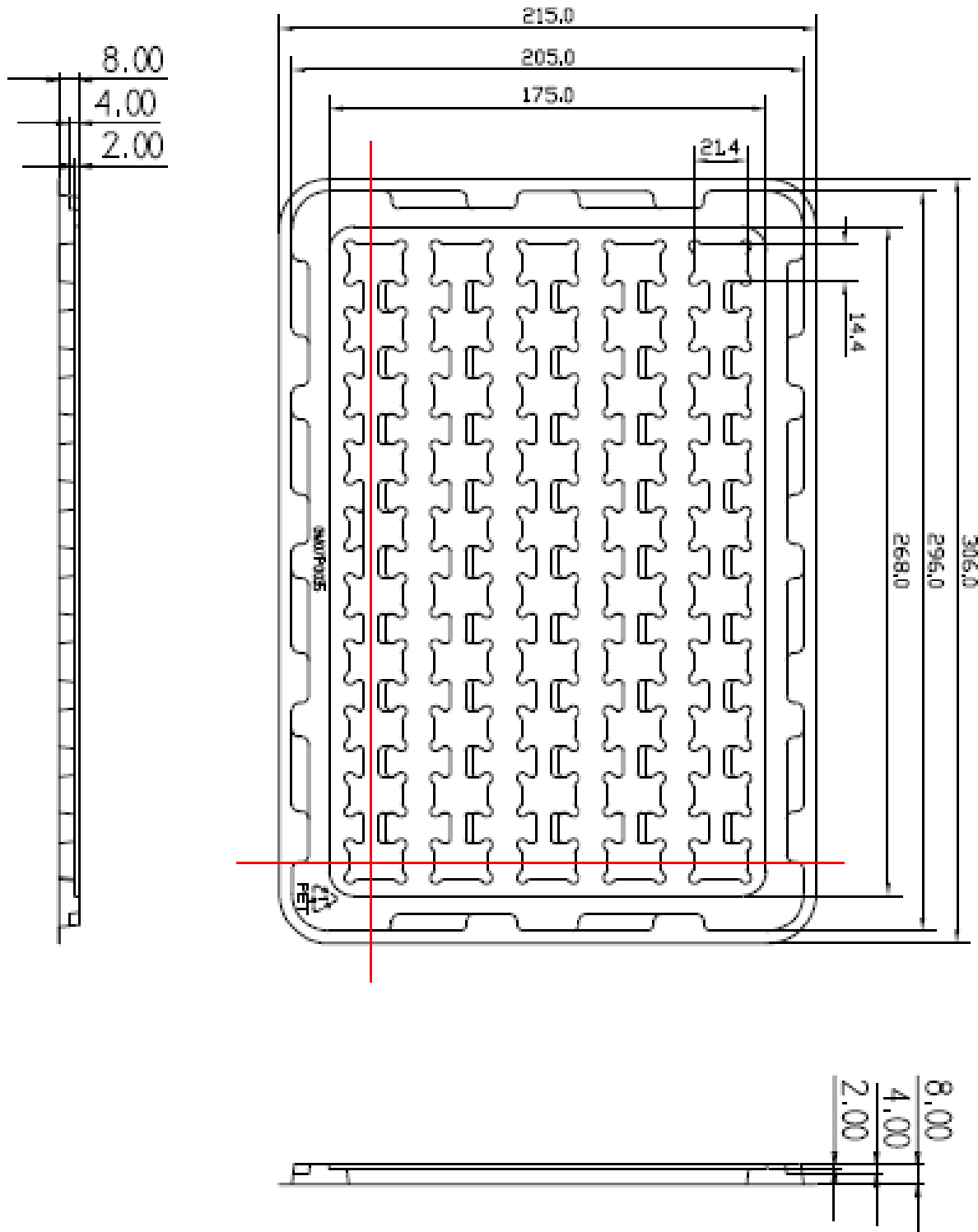


Figure 8 TiWi-SL Tray Specification

TAPE AND REEL PACKAGING

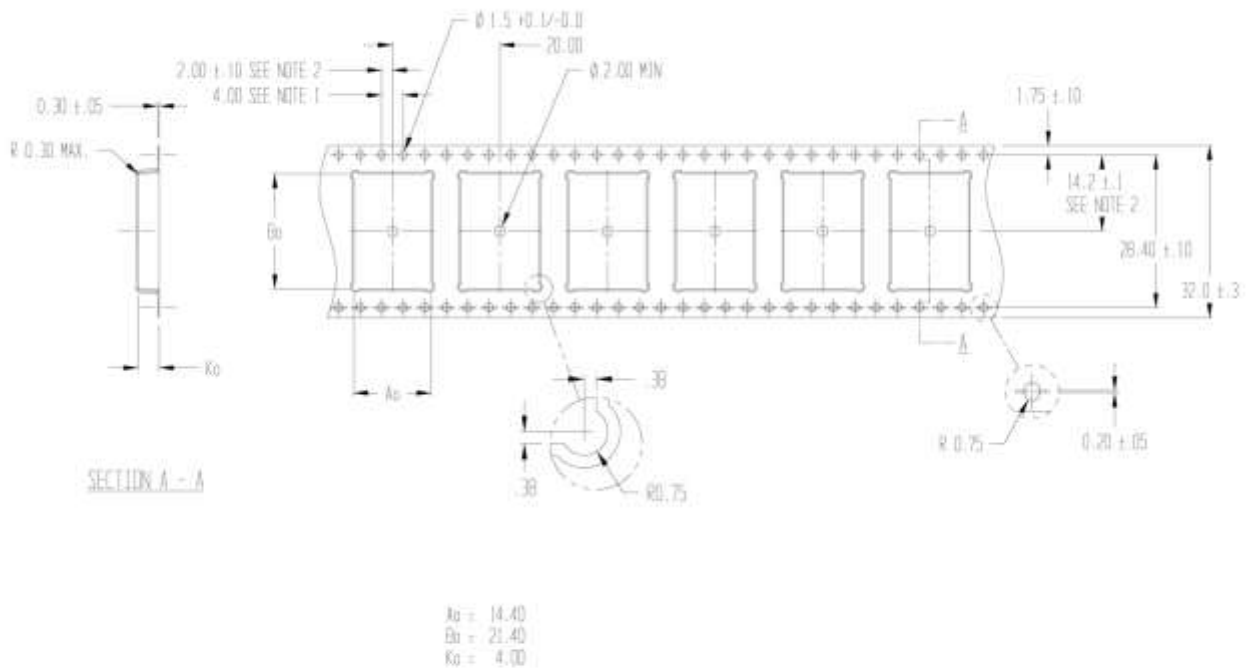


Figure 9 Tape and Reel Specification

REFERENCE SCHEMATIC

The following reference schematic shows the recommend connections in an application circuit.

It is recommended that access to pins 7 and 9 (test UART transmit and receive respectively) and a ground be made available in the application circuit design. These signals can be used for low level RF testing and may be needed for end product test or compliance testing. Access to these signals could be as simple as test pads that could be soldered to, or with through holes to which a connector could be installed.

For circuit requirements regarding the pre-certified antenna options that work with the TiWi-SL module, refer to the TiWi-SL Antenna Design Guide.

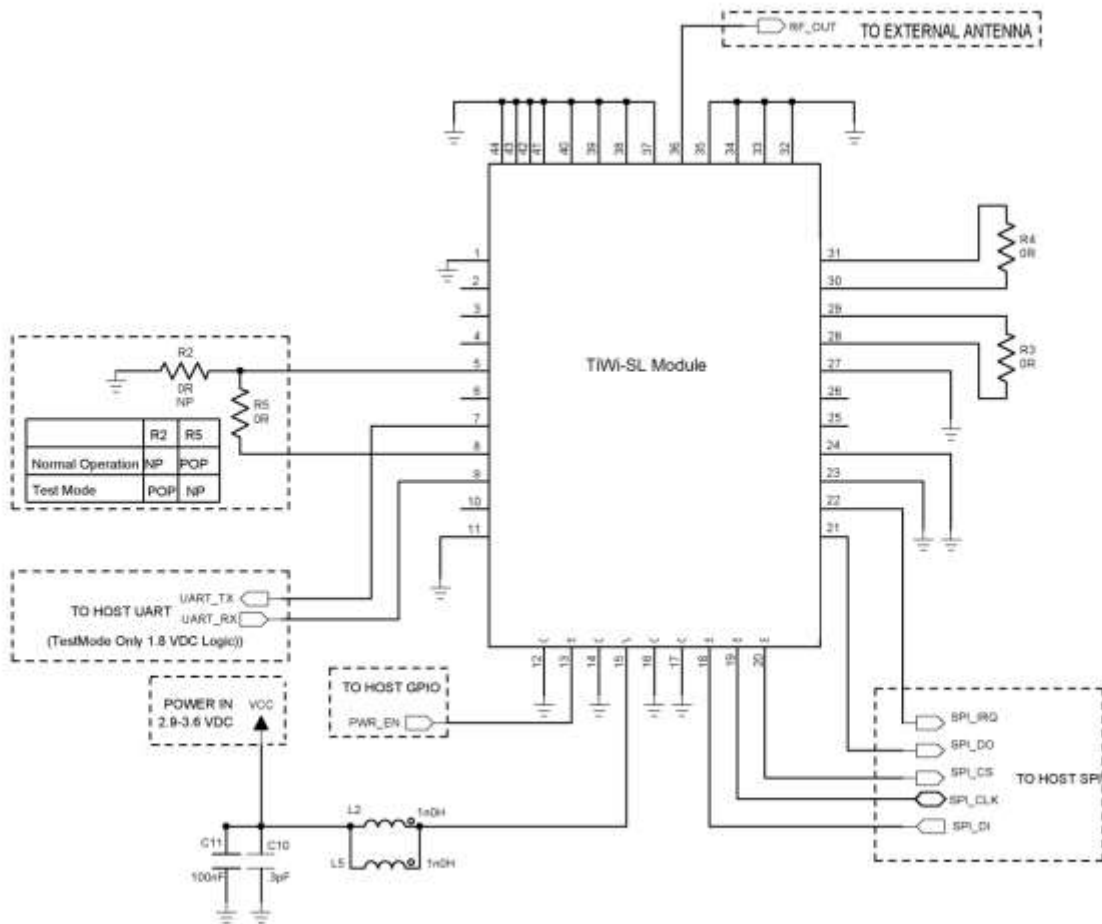
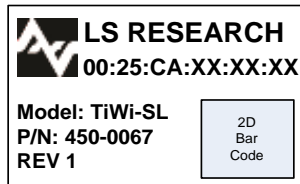


Figure 10 TiWi-SL Reference Schematic

DEVICE MARKINGS

Rev 1 Devices

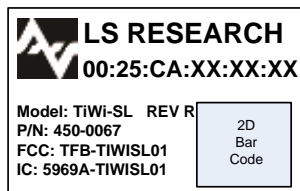
CC3000: CC3000BYFVR
Front End: TQM679002A
EEPROM: 512kbit
Service Pack: Version 1.3



00:25:CA:XX:XX:XX = MAC ID
2D Barcode Format is Data Matrix Standard
XX:XX:XX = unique portion of MAC ID that
changes for each module

Rev 2-3 Devices

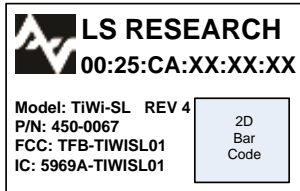
CC3000: CC3000BYFVR
Front End: TQM679002A
EEPROM: 512kbit
Service Pack: Version 1.3



R = Revision 2 or 3
00:25:CA:XX:XX:XX = MAC ID
2D Barcode Format is Data Matrix Standard
XX:XX:XX = unique portion of MAC ID that
changes for each module

Rev 4 Devices

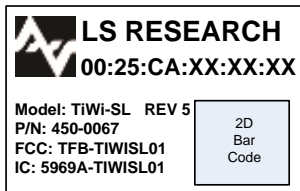
CC3000: CC3000BYFVR
Front End: TQM679002A
EEPROM: 512kbit
Service Pack: Version 1.7



00:25:CA:XX:XX:XX = MAC ID
2D Barcode Format is Data Matrix Standard
XX:XX:XX = unique portion of MAC ID that
changes for each module

Rev 5 Devices

CC3000: CC3000BYFVR
Front End: TQM679002A
EEPROM: 256kbit
Service Pack: Version 1.7



00:25:CA:XX:XX:XX = MAC ID
2D Barcode Format is Data Matrix Standard
XX:XX:XX = unique portion of MAC ID that
changes for each module

CONTACTING LSR

Headquarters

LSR
W66 N220 Commerce Court
Cedarburg, WI 53012-2636
USA
Tel: (262) 375-4400
Fax: (262) 375-4248

Website

www.lsr.com

Sales Contact

sales@lsr.com

The information in this document is provided in connection with LS Research (hereafter referred to as “LSR”) products. No license, express or implied, by estoppel or otherwise, to any intellectual property right is granted by this document or in connection with the sale of LSR products. EXCEPT AS SET FORTH IN LSR’S TERMS AND CONDITIONS OF SALE LOCATED ON LSR’S WEB SITE, LSR ASSUMES NO LIABILITY WHATSOEVER AND DISCLAIMS ANY EXPRESS, IMPLIED OR STATUTORY WARRANTY RELATING TO ITS PRODUCTS INCLUDING, BUT NOT LIMITED TO, THE IMPLIED WARRANTY OF MERCHANTABILITY, FITNESS FOR A PARTICULAR PURPOSE, OR NON-INFRINGEMENT. IN NO EVENT SHALL LSR BE LIABLE FOR ANY DIRECT, INDIRECT, CONSEQUENTIAL, PUNITIVE, SPECIAL OR INCIDENTAL DAMAGES (INCLUDING, WITHOUT LIMITATION, DAMAGES FOR LOSS OF PROFITS, BUSINESS INTERRUPTION, OR LOSS OF INFORMATION) ARISING OUT OF THE USE OR INABILITY TO USE THIS DOCUMENT, EVEN IF LSR HAS BEEN ADVISED OF THE POSSIBILITY OF SUCH DAMAGES. LSR makes no representations or warranties with respect to the accuracy or completeness of the contents of this document and reserves the right to make changes to specifications and product descriptions at any time without notice. LSR does not make any commitment to update the information contained herein. Unless specifically provided otherwise, LSR products are not suitable for, and shall not be used in, automotive applications. LSR’s products are not intended, authorized, or warranted for use as components in applications intended to support or sustain life.