

Fully Integrated Optical Sensor IC with Tx LED driver and Rx Front End + Logic + Output

The AMG-SO101 is a fully integrated optical sensor IC useful for optical switching and other optical sensory applications.

Example Application Circuit

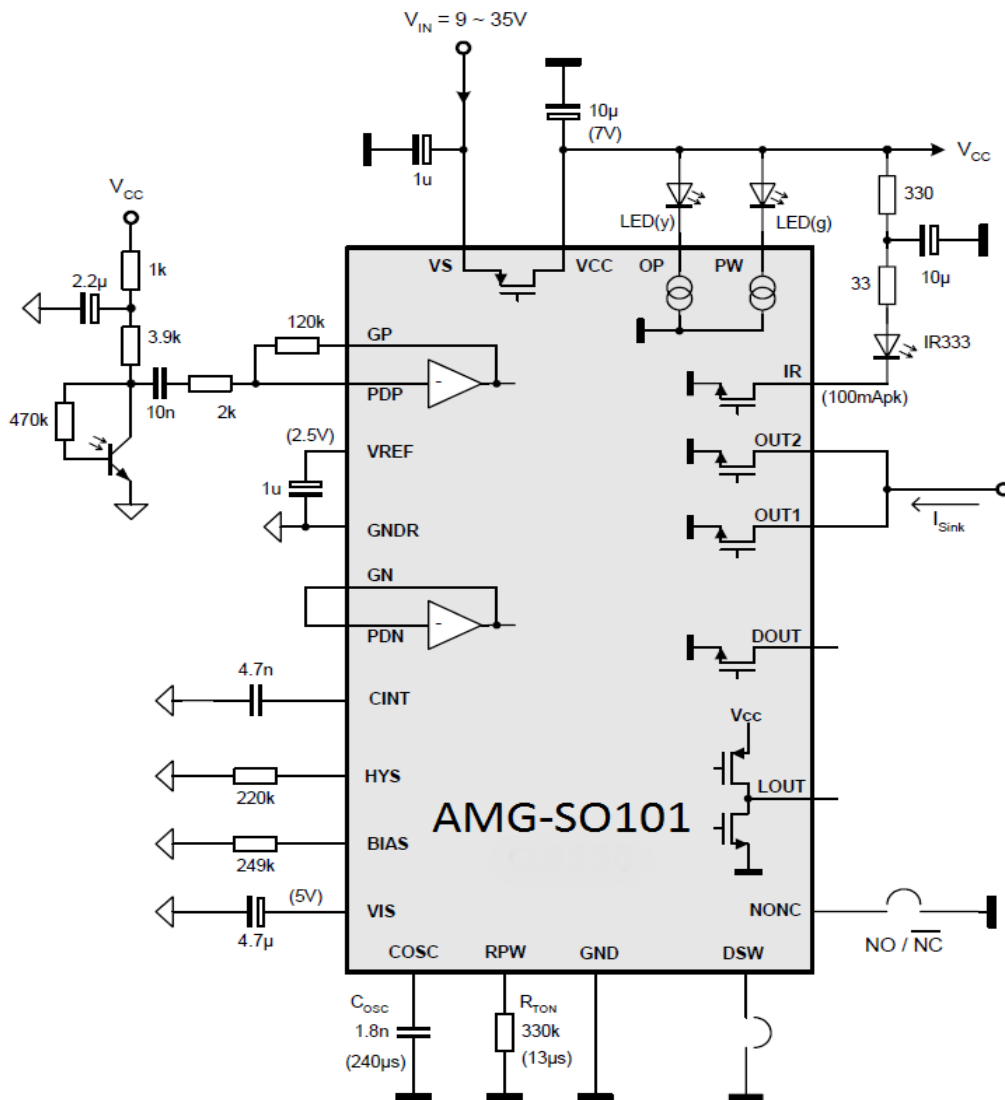


Figure 1: This is an example.

Features

General

- Photoreceiver front end
- Logic for independent switch function
- Analog + digital sensor output for MCU
- Adjustable Tx LED driver
- 2 open drain outputs (150mA ea.)
- Overcurrent protection
- Overtemp. Shutdown
- 2.5V Voltage Reference
- 5V linear Regulator
- 7V linear Regulator
- Wide supply range 9 - 36V
- Industrial temperature range (-25 to 90C)
- Package QFN24

Development Tools

App Note in preparation

Eval Board in preparation