



MULTI-RATE SONET/SDH CDR IC WITH LIMITING AMPLIFIER

Features

High-speed clock and data recovery device with integrated limiting amp:

- Supports OC-48/12/3, STM-16/4/1, Gigabit Ethernet, and 2.7 Gbps
- DSPLL® technology
- Jitter generation 3.0 mUI_{rms} (TYP)
- Small footprint: 5 x 5 mm
- Bit error rate alarm
- Reference and referenceless operation supported
- Loss-of-signal level alarm
- Data slicing level control
- 10 mV_{PP} differential sensitivity
- 3.3 V supply

Applications

- SONET/SDH/ATM routers
- Add/drop multiplexers
- Digital cross connects
- Gigabit Ethernet interfaces
- SONET/SDH test equipment
- Optical transceiver modules
- SONET/SDH regenerators
- Board level serial links

Description

The Si5023 is a fully-integrated, high-performance limiting amp and clock and data recovery (CDR) IC for high-speed serial communication systems. It derives timing information and data from a serial input at OC-48/12/3, STM-16/4/1, or Gigabit Ethernet (GbE) rates. Support for 2.7 Gbps data streams is also provided for OC-48/STM-16 applications that employ forward error correction (FEC). Use of an external reference clock is optional. Silicon Laboratories DSPLL® technology eliminates sensitive noise entry points, thus making the PLL less susceptible to board-level interaction and helping to ensure optimal jitter performance.

The Si5023 represents a new standard in low jitter, low power, small size, and integration for high-speed LA/CDRs. It operates from a 3.3 V supply over the industrial temperature range (-40 to 85 °C).

Functional Block Diagram

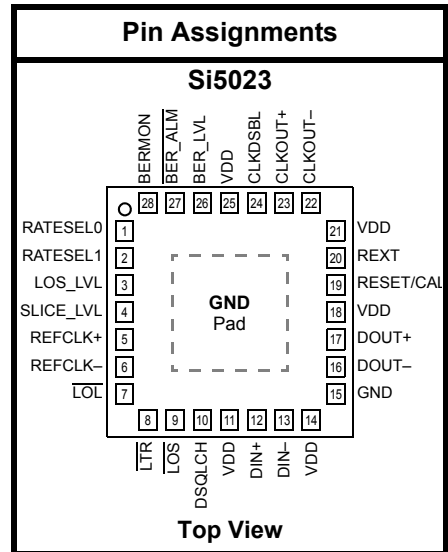
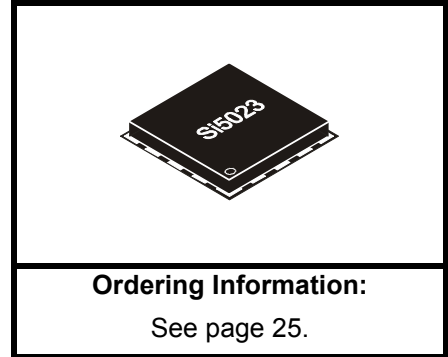
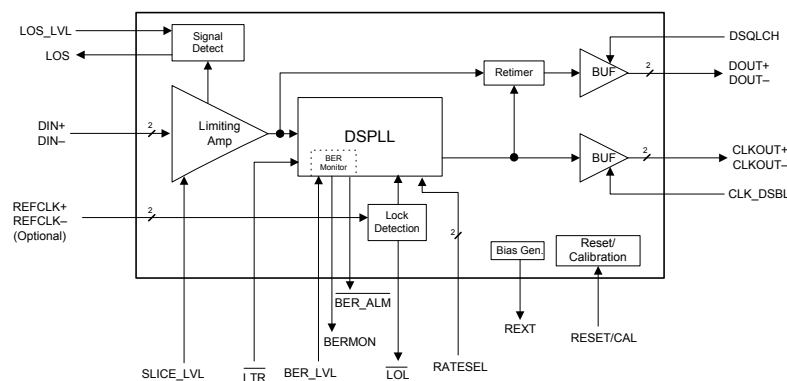
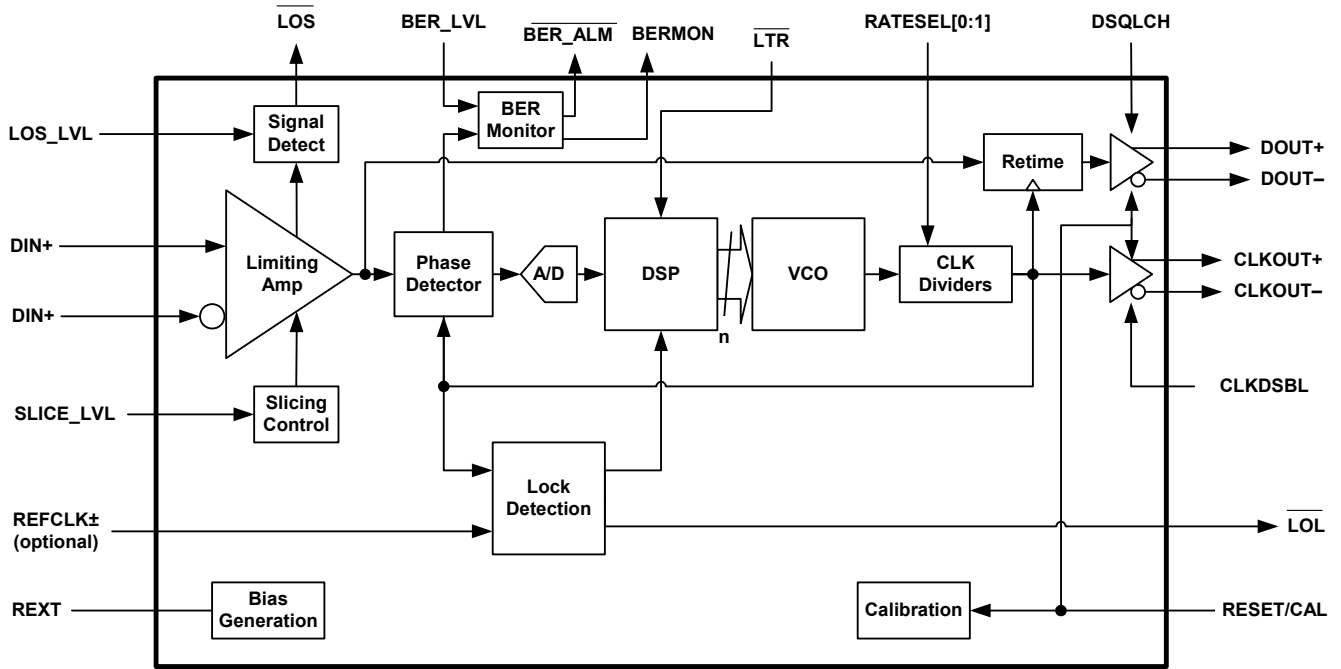


TABLE OF CONTENTS

<u>Section</u>	<u>Page</u>
1. Detailed Block Diagram	4
2. Electrical Specifications	5
3. Typical Application Schematic	11
4. Functional Description	12
4.1. Limiting Amplifier	12
4.2. DSPLL [®]	12
4.3. Multi-Rate Operation	12
4.4. Operation Without an External Reference	12
4.5. Operation With an External Reference	13
4.6. Lock Detect	13
4.7. Lock-to-Reference	13
4.8. Loss-of-Signal (LOS)	13
4.9. Bit Error Rate (BER) Detection	14
4.10. Data Slicing Level	14
4.11. PLL Performance	14
4.12. RESET/DSPLL Calibration	18
4.13. Clock Disable	18
4.14. Data Squelch	18
4.15. Device Grounding	18
4.16. Bias Generation Circuitry	18
4.17. Voltage Regulator	19
4.18. Differential Input Circuitry	19
4.19. Differential Output Circuitry	21
5. Pin Descriptions: Si5023	22
6. Ordering Guide	25
7. Package Outline	26
Document Change List	27
Contact Information	28



1. Detailed Block Diagram



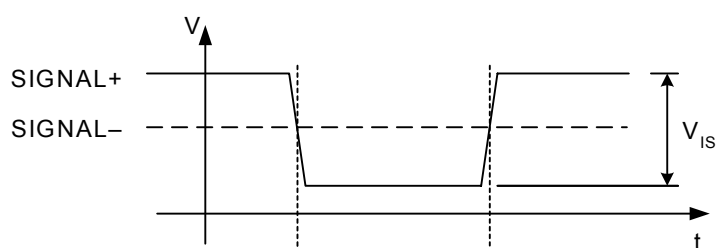
2. Electrical Specifications

Table 1. Recommended Operating Conditions

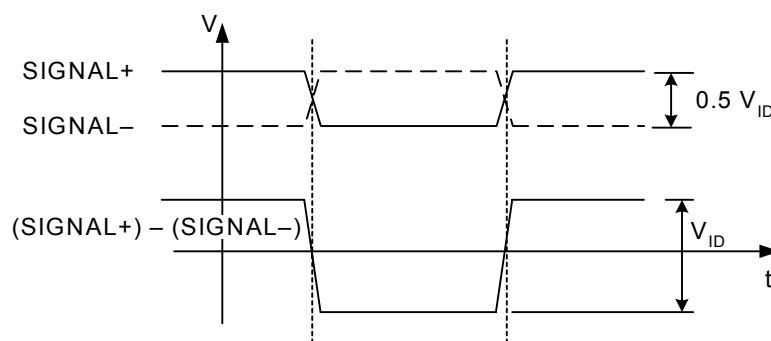
Parameter	Symbol	Test Condition	Min ¹	Typ	Max ¹	Unit
Ambient Temperature	T_A		-40	25	85	°C
Si5023 Supply Voltage ²	V_{DD}		3.135	3.3	3.465	V

Notes:

- All minimum and maximum specifications are guaranteed and apply across the recommended operating conditions. Typical values apply at nominal supply voltages and an operating temperature of 25 °C unless otherwise stated.
- The Si5023 specifications are guaranteed when using the recommended application circuit (including component tolerance) of "3. Typical Application Schematic" on page 11.



A. Operation with Single-Ended Inputs



B. Operation with Differential Inputs and Outputs

Figure 1. Differential Voltage Measurement (DIN, REFCLK, DOUT, CLKOUT)

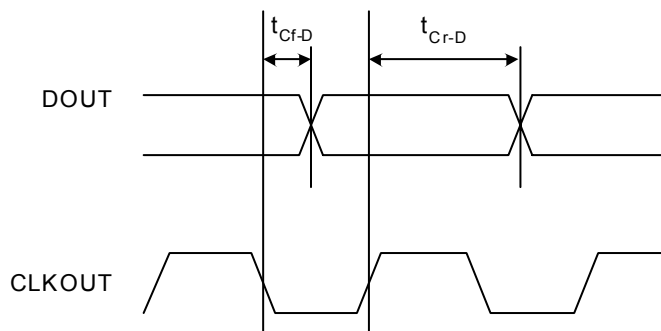


Figure 2. Clock to Data Timing

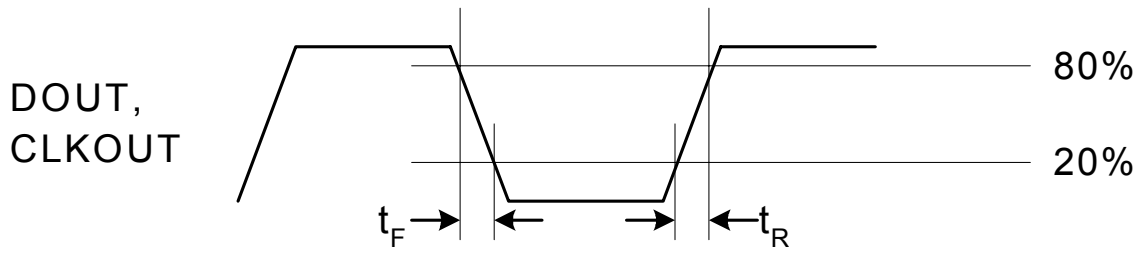


Figure 3. DOUT and CLKOUT Rise/Fall Times

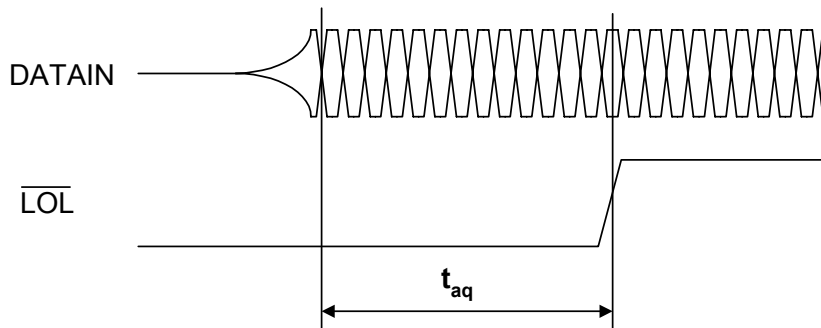
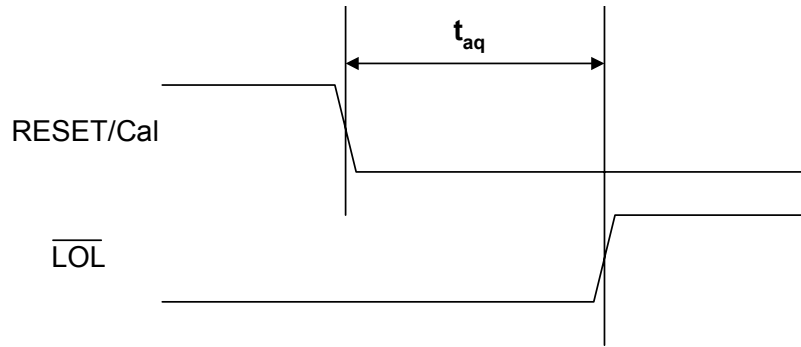


Figure 4. PLL Acquisition Time

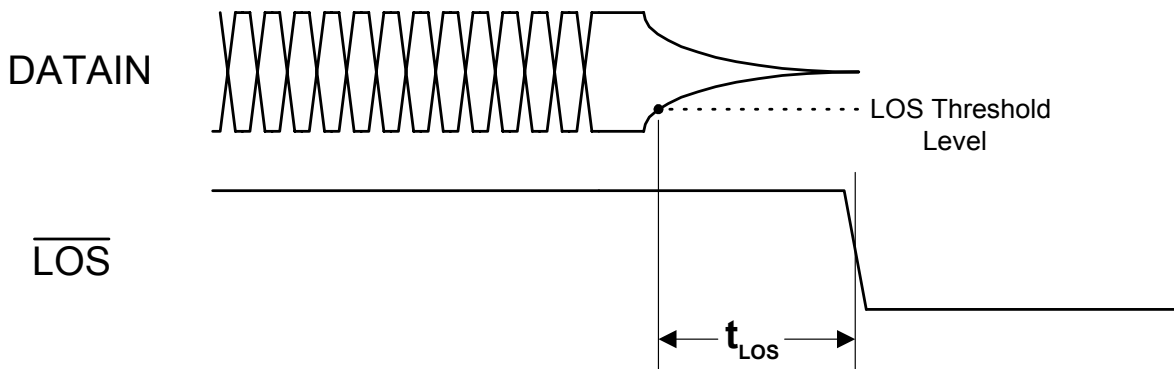


Figure 5. LOS Response Time

Table 2. DC Characteristics $(V_{DD} = 3.3 \text{ V} \pm 5\%, T_A = -40 \text{ to } 85 \text{ }^\circ\text{C})$

Parameter	Symbol	Test Condition	Min	Typ	Max	Unit
Supply Current ¹ FEC (2.7 GHz) OC-48 GbE OC-12 OC-3	I_{DD}		—	173 170 175 180 190	184 180 185 190 197	mA
Power Dissipation FEC (2.7 GHz) OC-48 GbE OC-12 OC-3	P_D	$V_{DD} = 3.3 \text{ V} (\pm 5\%)$	—	571 561 577 594 627	637 623 640 657 682	mW
Common Mode Input Voltage (DIN) ²	V_{ICM}	See Figure 17	1.30	1.50	1.62	V
Common Mode Input Voltage (REFCLK) ²	V_{ICM}	See Figure 16	1.90	2.10	2.30	V
DIN Single-ended Input Voltage Swing ²	V_{IS}	See Figure 1A	10	—	500	mV
DIN Differential Input Voltage Swing ²	V_{ID}	See Figure 1B	10	—	1000	mV
REFCLK Single-ended Input Voltage Swing ²	V_{IS}	See Figure 1A	200	—	750	mV
REFCLK Differential Input Voltage Swing ²	V_{ID}	See Figure 1B	200	—	1500	mV
Input Impedance (DIN)	R_{IN}	Line-to-Line	84	100	116	Ω
Differential Output Voltage Swing (DOUT)	V_{OD}	100 Ω Load Line-to-Line	700	800	1000	mV _{PP}
Differential Output Voltage Swing (CLKOUT)	V_{OD}	100 Ω Load Line-to-Line	700	800	1100	mV _{PP}
Output Common Mode Voltage (DOUT,CLKOUT)	V_{OCM}	100 Ω Load Line-to-Line	1.60	1.80	2.35	V
Output Impedance (DOUT,CLKOUT)	R_{OUT}	Single-ended	84	100	116	Ω
Input Voltage Low (LVTTTL Inputs)	V_{IL}		—	—	.8	V
Input Voltage High (LVTTTL Inputs)	V_{IH}		2.0	—	—	V
Input Low Current (LVTTTL Inputs)	I_{IL}		—	—	10	μA
Input High Current (LVTTTL Inputs)	I_{IH}		—	—	10	μA
Input Impedance (LVTTTL Inputs)	R_{IN}		9	—	—	k Ω
LOS_LVL, BER_LVL, SLICE_LVL Input Impedance	R_{IN}		50	100	125	k Ω
Output Voltage Low (LVTTTL Outputs)	V_{OL}	$I_O = 2 \text{ mA}$	—	—	0.4	V
Output Voltage High (LVTTTL Outputs)	V_{OH}	$I_O = 2 \text{ mA}$	2.0	—	—	V
Notes:						
1. No load on LVTTTL outputs.						
2. These inputs may be driven differentially or single-endedly. When driven single-endedly, the unused input must be ac coupled to ground.						



Table 3. AC Characteristics (Clock and Data)

($V_{DD} = 3.3\text{ V} \pm 5\%$, $T_A = -40\text{ to }85\text{ }^\circ\text{C}$)

Parameter	Symbol	Test Condition	Min	Typ	Max	Unit
Output Clock Rate	f_{CLK}	RATESEL[0:1] = 11	2.46	—	2.7	GHz
		RATESEL[0:1] = 01	1.232	—	1.35	GHz
		RATESEL[0:1] = 10	616	—	675	MHz
		RATESEL[0:1] = 00	154	—	158	MHz
Output Clock Rise Time—OC-48	t_R	Figure 3 on page 6	—	70	90	ps
Output Clock Fall Time—OC-48	t_F	Figure 3 on page 6	—	70	90	ps
Output Clock Duty Cycle OC-48/12/3			47	50	53	% of UI
Output Data Rise Time—OC-48	t_R	Figure 3 on page 6	—	80	110	ps
Output Data Fall Time—OC-48	t_F	Figure 3 on page 6	—	80	110	ps
Clock-to-Data Delay FEC (2.7 GHz) OC-48 GbE OC-12 OC-3	t_{Cr-D}	Figure 2 on page 5	190 190 440 800 4000	230 230 490 860 4100	265 265 560 940 4200	ps
Clock to Data Delay FEC (2.7 GHz) OC-48	t_{Cf-D}	Figure 2 on page 5	-70 -60	-40 -30	-10 0	ps
Input Return Loss		100 kHz–1.5 GHz	-15	—	—	dB
		1.5 GHz–4.0 GHz	-10	—	—	dB
Slicing Level Offset (relative to the internally set input common mode voltage)	V_{SLICE}	SLICE_LVL = 750 mV to 2.25 V	See Figures 12 and 13.			
Loss-of-Signal Range* (peak-to-peak differential)	V_{LOS}	LOS_LVL = 1.50 TO 2.50 V	0	—	40	mV
Loss-of-Signal Response Time	t_{LOS}	Figure 5 on page 6	8	20	25	μs

***Note:** Adjustment voltage is calculated as follows: $V_{LOS} = (LOS_LVL - 1.50)/25$.

Table 4. AC Characteristics (PLL Characteristics) $(V_{DD} = 3.3\text{ V} \pm 5\%, T_A = -40\text{ to }85\text{ }^\circ\text{C})$

Parameter	Symbol	Test Condition	Min	Typ	Max	Unit
Jitter Tolerance (OC-48)*	$J_{TOL(PP)}$	f = 600 Hz	40	—	—	UI _{PP}
		f = 6000 Hz	4	—	—	UI _{PP}
		f = 100 kHz	3	—	—	UI _{PP}
		f = 1 MHz	0.3	—	—	UI _{PP}
Jitter Tolerance (OC-12 Mode)*	$J_{TOL(PP)}$	f = 30 Hz	60	—	—	UI _{PP}
		f = 300 Hz	6	—	—	UI _{PP}
		f = 25 kHz	4	—	—	UI _{PP}
		f = 250 kHz	0.4	—	—	UI _{PP}
Jitter Tolerance (OC-3 Mode)*	$J_{TOL(PP)}$	f = 30 Hz	60	—	—	UI _{PP}
		f = 300 Hz	6	—	—	UI _{PP}
		f = 6.5 kHz	4	—	—	UI _{PP}
		f = 65 kHz	0.4	—	—	UI _{PP}
Jitter Tolerance (Gigabit Ethernet) Receive Data Total Jitter Tolerance	$T_{JT(PP)}$	IEEE 802.3z Clause 38.6.8	600	—	—	ps
Jitter Tolerance (Gigabit Ethernet) Receive Data Deterministic Jitter Tolerance	$D_{JT(PP)}$	IEEE 802.3z Clause 38.6.9	370	—	—	ps
RMS Jitter Generation*	$J_{GEN(RMS)}$	with no jitter on serial data	—	3.0	5.0	mUI
Peak-to-Peak Jitter Generation*	$J_{GEN(PP)}$	with no jitter on serial data	—	25	55	mUI
Jitter Transfer Bandwidth*	J_{BW}	OC-48 Mode	—	—	2.0	MHz
		OC-12 Mode	—	—	500	kHz
		OC-3 Mode	—	—	130	kHz
Jitter Transfer Peaking*	J_P		—	0.03	0.1	dB
Acquisition Time—OC-48 (Reference clock applied)	T_{AQ}	After falling edge of RESET/CAL	—	1.6	2.2	ms
		From the return of valid data	20	100	500	μs
Acquisition Time—OC-48 (Reference-less operation)	T_{AQ}	After falling edge of RESET/CAL	—	2.0	5.5	ms
		From the return of valid data	1.5	2.5	5.5	ms
Reference Clock Range		See Table 8 on page 13	—	155.52 77.76 19.44	—	MHz
Input Reference Clock Frequency Tolerance	C_{TOL}		−500	—	500	ppm
Frequency Difference at which Receive PLL goes out of Lock (REFCLK compared to the divided down VCO clock)			—	±650	—	ppm

*Note: As defined in Bellcore specifications: GR-253-CORE, Issue 3, September 2000. Using PRBS 2²³ – 1 data pattern.

Si5023

Table 5. Absolute Maximum Ratings

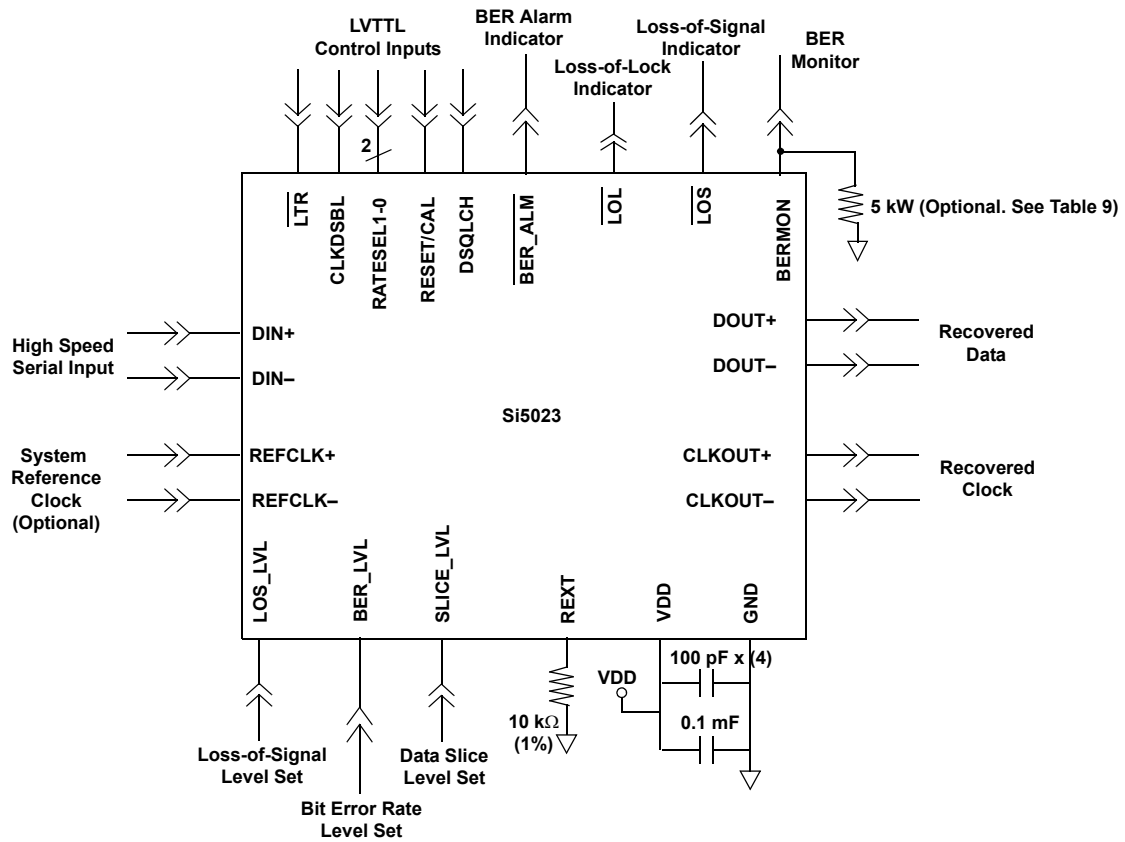
Parameter	Symbol	Value	Unit
DC Supply Voltage	V_{DD}	-0.5 to 3.5	V
LVTTL Input Voltage	V_{DIG}	-0.3 to 3.6	V
Differential Input Voltages	V_{DIF}	-0.3 to ($V_{DD} + 0.3$)	V
Maximum Current any output PIN		± 50	mA
Operating Junction Temperature	T_{JCT}	-55 to 150	$^{\circ}C$
Storage Temperature Range	T_{STG}	-55 to 150	$^{\circ}C$
ESD HBM Tolerance (100 pf, 1.5 k Ω)		1	kV

Note: Permanent device damage may occur if the above Absolute Maximum Ratings are exceeded. Functional operation should be restricted to the conditions as specified in the operational sections of this data sheet. Exposure to absolute maximum rating conditions for extended periods may affect device reliability.

Table 6. Thermal Characteristics

Parameter	Symbol	Test Condition	Value	Unit
Thermal Resistance Junction to Ambient	Φ_{JA}	Still Air	38	$^{\circ}C/W$

3. Typical Application Schematic



4. Functional Description

The Si5023 integrates a high-speed limiting amplifier (LA) with a multi-rate clock and data recovery unit (CDR) that operates up to 2.7 Gbps. No external reference clock is required for clock and data recovery. The limiting amplifier magnifies low-level input data signals from a TIA so that accurate clock and data recovery can be performed. The CDR uses Silicon Laboratories DSPLL® technology to recover a clock synchronous to the input data stream. The recovered clock is used to retiming the incoming data, and both are output synchronously via current-mode logic (CML) drivers. Silicon Laboratories' DSPLL technology ensures superior jitter performance while eliminating the need for external loop filter components found in traditional phase-locked loop (PLL) implementations.

The limiting amplifier includes a control input for adjusting the data slicing level and provides a loss-of-signal level alarm output. The CDR includes a bit error rate performance monitor which signals a high bit error rate condition (associated with excessive incoming jitter) relative to an externally adjustable bit error rate threshold.

The option of a reference clock minimizes the CDR acquisition time and provides a stable reference for maintaining the output clock when locking to reference is desired.

4.1. Limiting Amplifier

The limiting amplifier accepts the low-level signal output from a transimpedance amplifier (TIA). The low-level signal is amplified to a usable level for the clock and data recovery unit. The minimum input swing requirement is specified in Table 2. Larger input amplitudes (up to the maximum input swing specified in Table 2) are accommodated without degradation of performance. The limiting amplifier ensures optimal data slicing by using a digital dc offset cancellation technique to remove any dc bias introduced by the internal amplification stage.

4.2. DSPLL®

The Si5023 PLL structure (shown in Figure 1 on page 5) utilizes Silicon Laboratories' DSPLL technology to maintain superior jitter performance while eliminating the need for external loop filter components found in traditional PLL implementations. This is achieved by using a digital signal processing (DSP) algorithm to replace the loop filter commonly found in analog PLL designs. This algorithm processes the phase detector error term and generates a digital control value to adjust the frequency of the voltage-controlled oscillator (VCO).

DSPLL enables clock and data recovery with far less jitter than is generated using traditional methods and it eliminates performance degradation caused by external component aging. In addition, because external loop filter components are not required, sensitive noise entry points are eliminated, thus making the DSPLL less susceptible to board-level noise sources and making SONET/SDH jitter compliance easier to attain in the application.

4.3. Multi-Rate Operation

The Si5023 supports clock and data recovery for OC-48 and STM-16 data streams. In addition, the PLL was designed to operate at data rates up to 2.7 Gbps to support OC-48/STM-16 applications that employ FEC.

Multi-rate operation is achieved by configuring the device to divide down the output of the VCO to the desired data rate. The divide factor is configured by the RATESEL[0:1] pins. The RATESEL[0:1] configuration and associated data rates are given in Table 7.

Table 7. Multi-Rate Configuration

RATESEL [0:1]	SONET/SDH	Gigabit Ethernet	OC-48 with 15/14 FEC	CLK Divider
11	2.488 Gbps	—	2.67 Gbps	1
01	1.244 Gbps	1.25 Gbps	—	2
10	622.08 Mbps	—	—	4
00	155.52 Mbps	—	—	16

4.4. Operation Without an External Reference

The Si5023 can perform clock and data recovery without an external reference clock. Tying the REFCLK+ input to V_{DD} and REFCLK- to GND configures the device to operate without an external reference clock. Clock recovery is achieved by monitoring the timing quality of the incoming data relative to the VCO frequency. Lock is maintained by continuously monitoring the incoming data timing quality and adjusting the VCO accordingly. Details of the lock detection and the lock-to-reference functions while in this mode are described in their respective sections below.

Note: Without an external reference, the acquisition of data is dependent solely on the data itself and typically requires more time to acquire lock than when a reference is applied.

4.5. Operation With an External Reference

The Si5023 device's optional external reference clock centers the DSPLL, minimizes the acquisition time, and maintains a stable output clock (CLKOUT) when lock-to-reference ($\overline{\text{LTR}}$) is asserted.

When the reference clock is present, the Si5023 will use the reference clock to center the VCO output frequency so that clock and data can be recovered from the input data stream. The device will self configure for operation with one of three reference clock frequencies. This eliminates the need to externally configure the device to operate with a particular reference clock.

The reference clock centers the VCO for a nominal output between 2.5 and 2.7 GHz. The VCO frequency is centered at 16, 32, or 128 times the reference clock frequency. Detection circuitry continuously monitors the reference clock input to determine whether the device should be configured for a reference clock that is 1/16, 1/32, or 1/128 the nominal VCO output. Approximate reference clock frequencies for some target applications are given in Table 8.

Table 8. Typical REFCLK Frequencies

SONET/SDH	Gigabit Ethernet	SONET/SDH with 15/14 FEC	Ratio of VCO to REFCLK
19.44 MHz	19.53 MHz	20.83 MHz	128
77.76 MHz	78.125 MHz	83.31 MHz	32
155.52 MHz	156.25 MHz		16

4.6. Lock Detect

The Si5023 provides lock-detect circuitry that indicates whether the PLL has achieved frequency lock with the incoming data. The operation of the lock-detector depends on the reference clock option used.

When an external reference clock is provided, the circuit compares the frequency of a divided-down version of the recovered clock with the frequency of the applied reference clock (REFCLK). If the recovered clock frequency deviates from that of the reference clock by the amount specified in Table 4 on page 9, the PLL is declared out of lock, and the loss-of-lock (LOL) pin is asserted. In this state, the PLL will periodically try to reacquire lock with the incoming data stream. During reacquisition, the recovered clock frequency (CLKOUT) drifts over a ± 600 ppm range relative to the applied reference clock, and the LOL output alarm may toggle until the PLL has reacquired frequency lock. Due to the low noise and stability of the DSPLL, there is the possibility that the PLL will not drift enough to render an

out-of-lock condition, even if the data is removed from inputs.

In applications requiring a more stable output clock during out-of-lock conditions, the lock-to-reference ($\overline{\text{LTR}}$) input can be used to force the PLL to lock to the externally supplied reference.

In the absence of an external reference, the lock detect circuitry uses a data quality measure to determine when frequency lock has been lost with the incoming data stream. During reacquisition, CLKOUT may vary by approximately $\pm 10\%$ from the nominal data rate.

4.7. Lock-to-Reference

The lock-to-reference input ($\overline{\text{LTR}}$) can be used to force a stable output clock when an alarm condition, such as LOS, exists. In typical applications, the $\overline{\text{LOS}}$ output would be tied to the $\overline{\text{LTR}}$ input to force a stable output clock when the input data signal is lost. When $\overline{\text{LTR}}$ is asserted, the DSPLL is prevented from acquiring the data signal present on DIN. The operation of the $\overline{\text{LTR}}$ control input depends on which reference clocking mode is used.

When an external reference clock is present, assertion of $\overline{\text{LTR}}$ will force the DSPLL to lock CLKOUT to the provided reference. If no external reference clock is used, $\overline{\text{LTR}}$ will force the DSPLL to hold the digital frequency control input to the VCO at the last value. This produces an output clock that is stable as long as supply and temperature are constant.

4.8. Loss-of-Signal (LOS)

The Si5023 indicates a loss-of-signal condition on the $\overline{\text{LOS}}$ output pin when the input peak-to-peak signal level on DIN falls below an externally-controlled threshold. The LOS threshold range is specified in Table 3 on page 8 and is set by applying a voltage on the LOS_LVL pin. The graph shown in Figure 6 illustrates the LOS_LVL mapping to the LOS threshold. The $\overline{\text{LOS}}$ output is asserted when the input signal drops below the programmed peak-to-peak value. If desired, the $\overline{\text{LOS}}$ function may be disabled by grounding LOS_LVL or by adjusting LOS_LVL to be less than 1 V.

Note: The LOS circuit is designed to only work with pseudo-random, dc-balanced data.

In many applications, it is desirable to produce a fixed amount of signal hysteresis for an alarm indicator, such as LOS, since a marginal data input signal could cause intermittent toggling, leading to false alarm status. When it is anticipated that very low-level DIN signals will be encountered, the introduction of an adequate amount of LOS hysteresis is recommended to minimize any undesirable LOS signal toggling. Figure 7 illustrates a simple circuit that may be used to set a fixed level of



LOS signal hysteresis for the Si5023 CDR. The value of R1 may be chosen to provide a range of hysteresis from 3 to 8 dB where a nominal value of 800 Ω adjusts the hysteresis level to approximately 6 dB. Use a value of 500 Ω or 1000 Ω for R1 to provide 3 dB or 8 dB of hysteresis, respectively.

Hysteresis is defined as the ratio of the $\overline{\text{LOS}}$ deassert level (LOSD) and the $\overline{\text{LOS}}$ assert level (LOSA). The hysteresis in decibels is calculated as $20\log(\text{LOSD}/\text{LOSA})$.

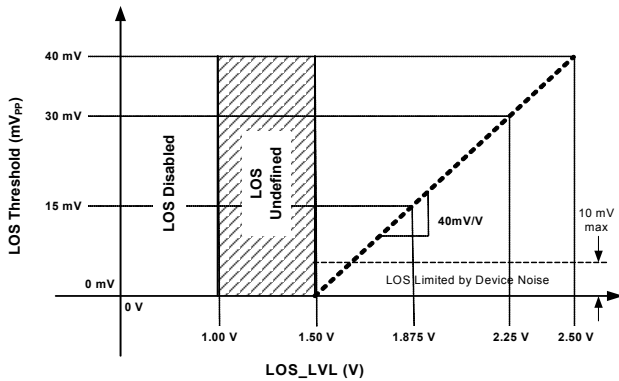


Figure 6. LOS_LVL Mapping (PRBS23 Data)

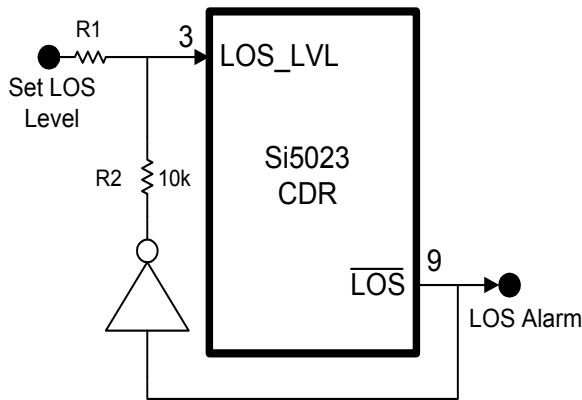


Figure 7. LOS Signal Hysteresis

4.9. Bit Error Rate (BER) Detection

The Si5023 uses a proprietary Silicon Laboratories algorithm to generate a BER alarm on the BER_ALM pin and a BER indicator on the BERMON pin.

The BERMON output is always enabled and functions as a dynamic analog level that is proportional to the detected bit error rate. This BERMON indicator can be used to monitor the quality and error status on the receive data input channel. The range of operation of the BER processor is between 1E-09 to 1E-03 as shown in Figures 8, 9, and 10. It is recommended that the BERMON output be filtered with an active low-pass filter configuration as shown in Figure 11. The external LPF may be followed by a voltage comparator or analog-to-digital converter where constant channel monitoring is desired.

4.10. Data Slicing Level

The Si5023 provides the ability to externally adjust the slicing level for applications that require BER optimization. Adjustments in slicing level of ± 25 mV (typical, relative to the internally-set input common mode voltage) are supported. The slicing level is set by applying a voltage between 0.75 V and 2.25 V to the SLICE_LVL input. See Figures 12 and 13 for the operation levels of the slice circuit.

When SLICE_LVL is driven below 500 mV, the slicing level adjustment is disabled, and the slicing level is set to the cross-point of the differential input signal.

Note: The slice circuit is designed to only work with pseudo-random, dc-balanced data.

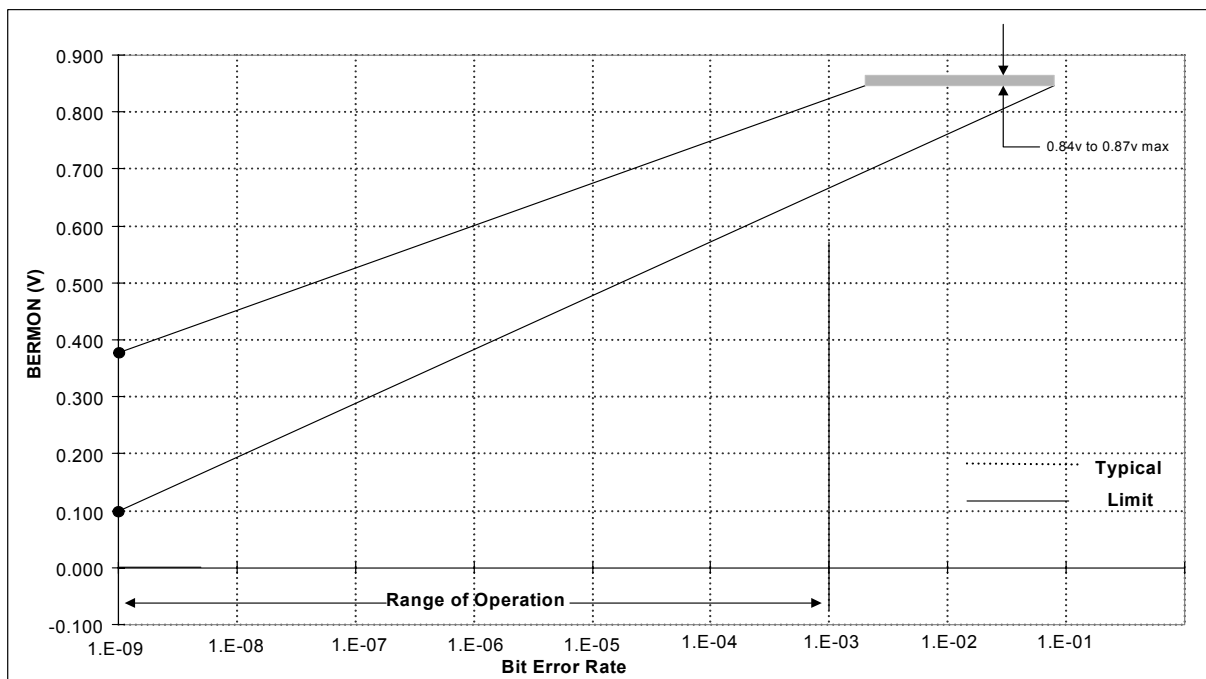
4.11. PLL Performance

The PLL implementation used in the Si5023 is fully-compliant with the jitter specifications proposed for SONET/SDH equipment by Bellcore GR-253-CORE, Issue 3, September 2000 and ITU-T G.958.

4.11.1. Jitter Tolerance

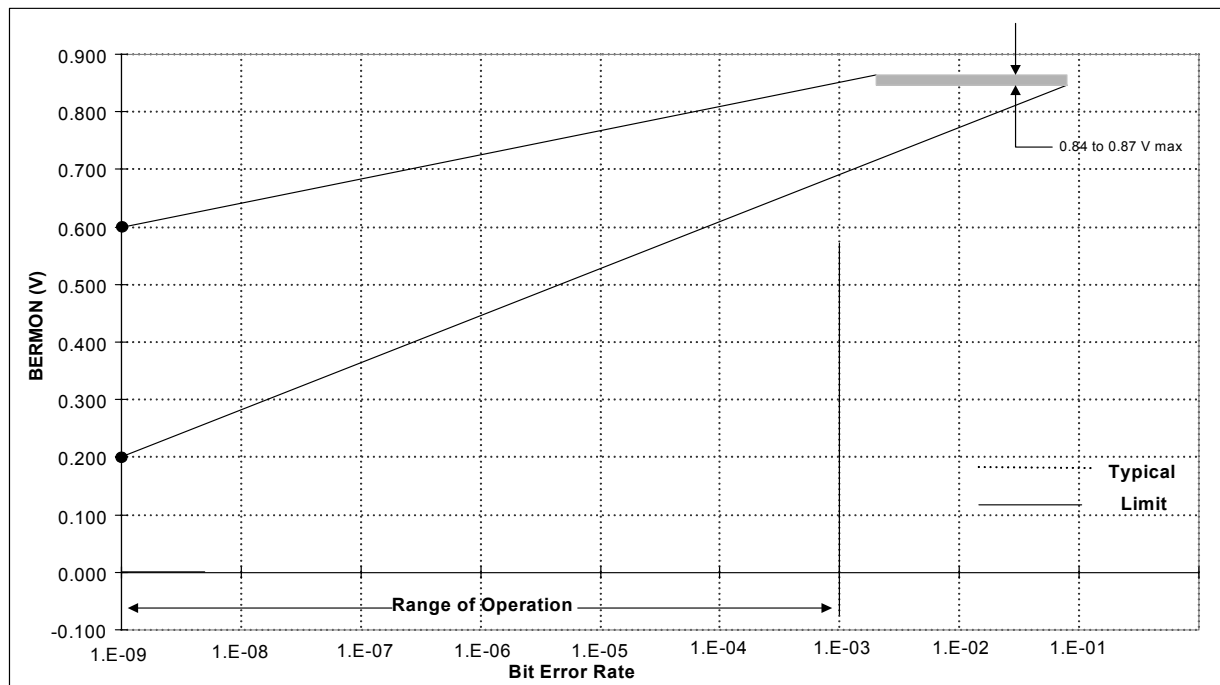
The Si5023's tolerance to input jitter exceeds that of the Bellcore/ITU mask shown in Figure 14. This mask defines the level of peak-to-peak sinusoidal jitter that must be tolerated when applied to the differential data input of the device.

Note: There are no entries in the mask table for the data rate corresponding to OC-24 as that rate is not specified by either GR-253 or G.958.



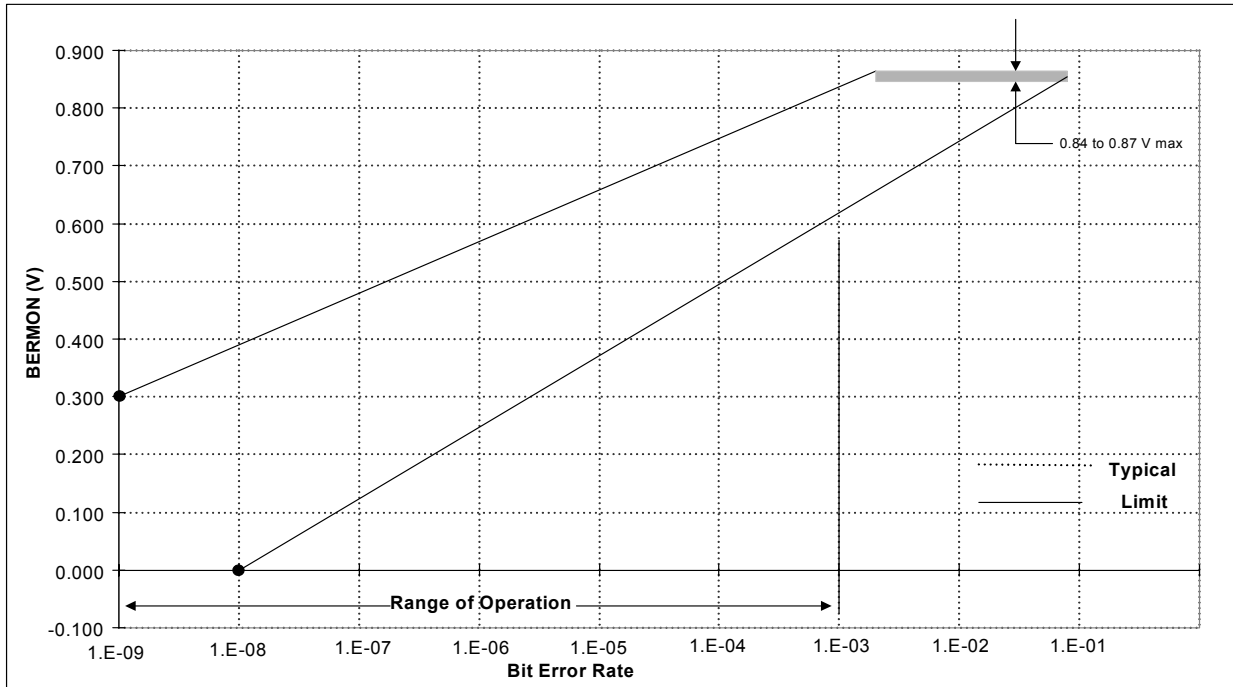
Note: For Bit Error Rate < 1.E-09, BERMON (V) is ≤ 0.4 V.

Figure 8. Si5023 OC-48 BERMON Voltage Characteristics



Note: For Bit Error Rate < 1.E-09, BERMON (V) is ≤ 0.6 V.

Figure 9. Si5023 GbE BERMON Voltage Characteristics



Note: For Bit Error Rate < 1.E-09, BERMON (V) is \leq 0.3 V.

Figure 10. Si5023 OC-12/OC-3 BERMON Voltage Characteristics

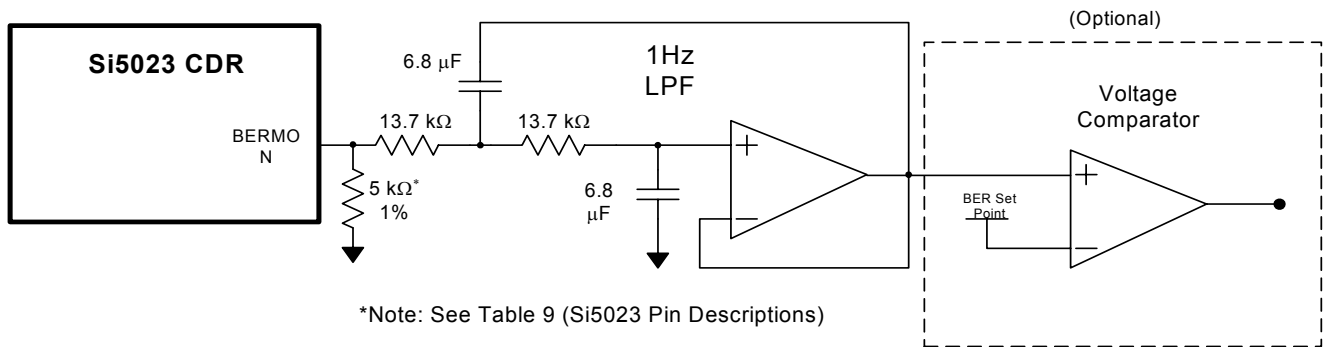


Figure 11. Si5023 BERMON Application Schematic

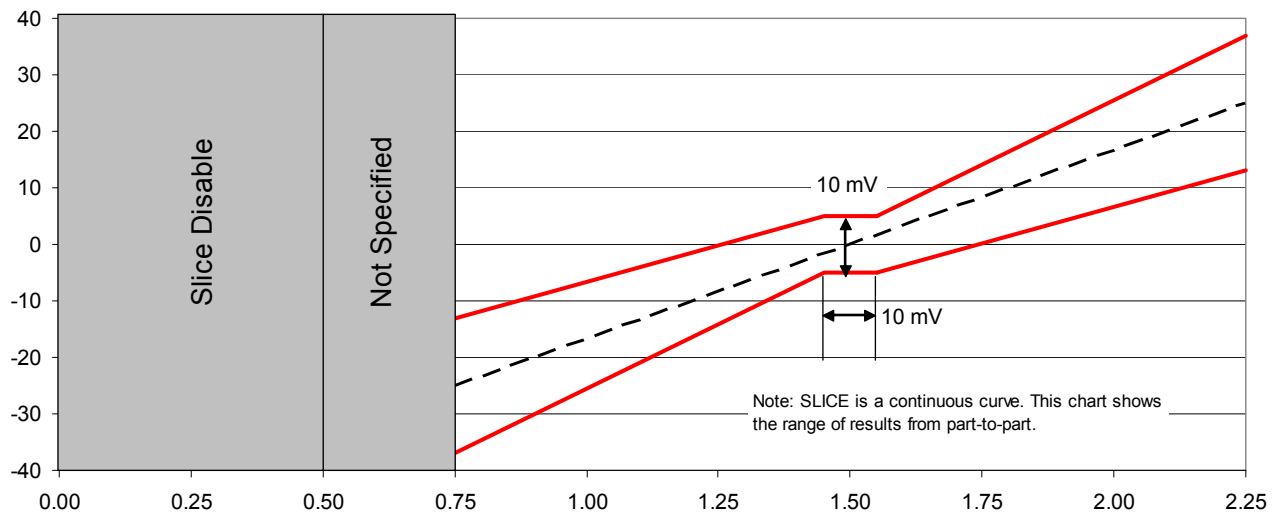


Figure 12. OC-48 Slice Specification

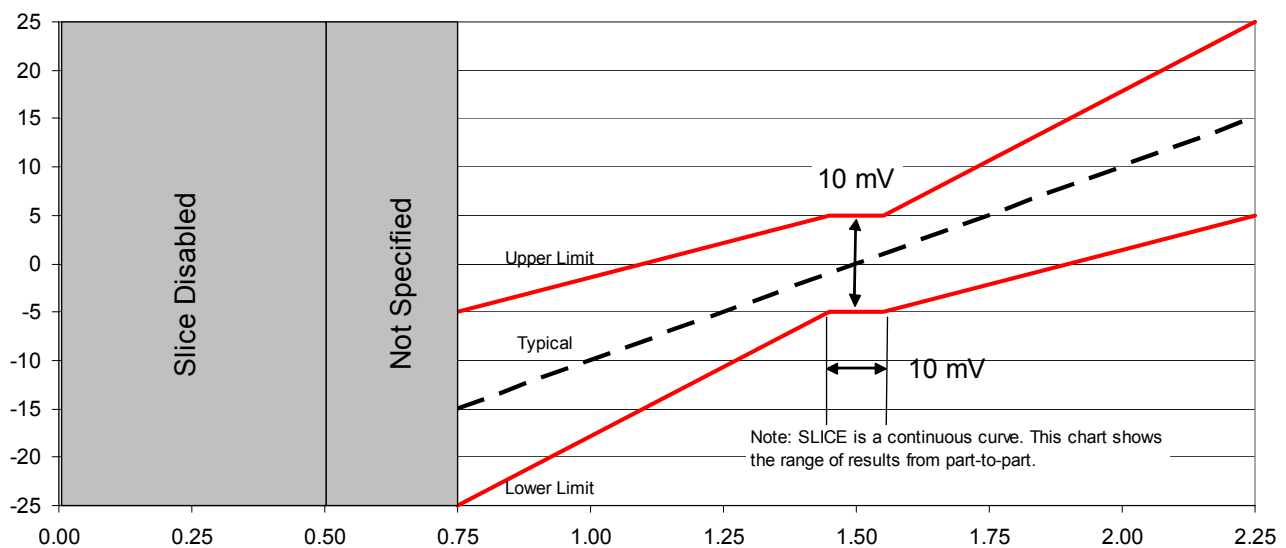
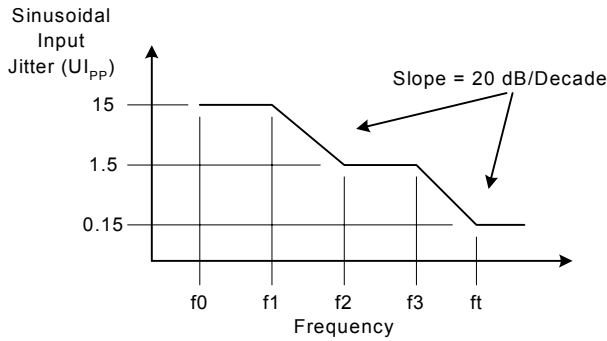


Figure 13. GbE, OC-12, and OC-3 Slice Specification

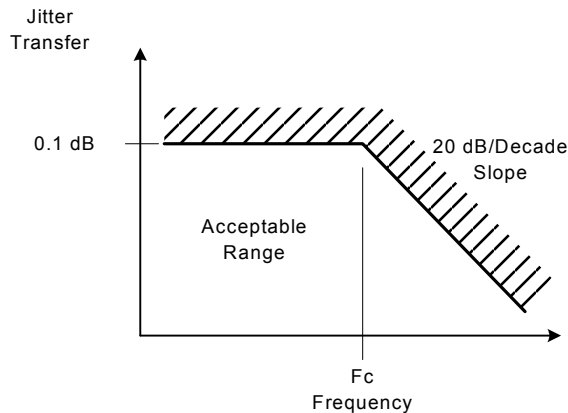


SONET Data Rate	F0 (Hz)	F1 (Hz)	F2 (kHz)	F3 (kHz)	Ft (kHz)
OC-48	10	600	6000	100	1000
OC-12	10	30	300	25	250
OC-3	10	30	300	6.5	65

Figure 14. Jitter Tolerance Specification

4.11.2. Jitter Transfer

The Si5023 exceeds all relevant Bellcore/ITU specifications related to SONET/SDH jitter transfer. Jitter transfer is defined as the ratio of output signal jitter to input signal jitter as a function of jitter frequency. (See Figure 15.) These measurements are made with an input test signal that is degraded with sinusoidal jitter whose magnitude is defined by the mask in Figure 15.



SONET Data Rate	Fc (kHz)
OC-48	2000
OC-12	500
OC-3	130

Figure 15. Jitter Transfer Specification

4.11.3. Jitter Generation

The Si5023 exceeds all relevant specifications for jitter generation proposed for SONET/SDH equipment. The jitter generation specification defines the amount of jitter that may be present on the recovered clock and data outputs when a jitter free input signal is provided. The

Si5023 typically generates less than 3.0 mUI_{rms} of jitter when presented with jitter-free input data.

4.12. RESET/DSPLL Calibration

The Si5023 achieves optimal jitter performance by automatically calibrating the loop gain parameters within the DSPLL on powerup. Calibration may also be initiated by a high-to-low transition on the RESET/CAL pin. The RESET/CAL pin must be held high for at least 1 μs. When RESET/CAL is released (set to low) the digital logic resets to a known initial condition, recalibrates the DSPLL, and will begin to lock to the incoming data stream. For a valid reset to occur when using Reference mode, a proper external reference clock frequency must be applied as specified in Table 8.

4.13. Clock Disable

The Si5023 provides a clock disable pin (CLK_DSBL) that is used to disable the recovered clock output (CLKOUT). When the CLK_DSBL pin is asserted, the positive and negative terminals of CLKOUT are tied to VDD through 100 Ω on-chip resistors.

4.14. Data Squelch

The Si5023 provides a data squelching pin (DSQLCH) that is used to set the recovered data output (DOUT) to binary zero. When the DSQLCH pin is asserted, the DOUT+ signal is held low (DOUT+ = 0) and the DOUT- signal is held high (DOUT- = 1). This pin can be used to squelch corrupt data during LOS and LOL situations. Care must be taken when ac coupling these outputs; a long string of zeros or ones will not be held through ac coupling capacitors.

4.15. Device Grounding

The Si5023 uses the GND pad on the bottom of the 28-lead micro leaded package (QFN) for device ground. This pad should be connected directly to the analog supply ground. See Figure 21 on page 22 and Figure 22 on page 26 for the ground (GND) pad size and location.

4.16. Bias Generation Circuitry

The Si5023 makes use of an external resistor to set internal bias currents. The external resistor allows precise generation of bias currents, which significantly reduces power consumption versus traditional implementations that use an internal resistor. The bias generation circuitry requires a 10 kΩ (1%) resistor connected between REXT and GND.

4.17. Voltage Regulator

The Si5023 regulates 2.5 V internally down from the external 3.3 V supply. Consumption is typically 170 mA. The Si5023 may accept control inputs as high as 3.6 V.

4.18. Differential Input Circuitry

The Si5023 provides differential inputs for both the high-speed data (DIN) and the reference clock (REFCLK) inputs. Example terminations for these inputs are shown in Figures 16, 17, 18, and 19. In applications where direct dc coupling is possible, the 0.1 μF capacitors may be omitted. (LOS operation is only guaranteed when ac coupled.) The data input limiting amplifier requires an input signal with a differential peak-to-peak voltage as specified in Table 2 on page 7 to ensure a BER of at least 10^{-12} . The REFCLK input differential peak-to-peak voltage requirement is specified in Table 2.

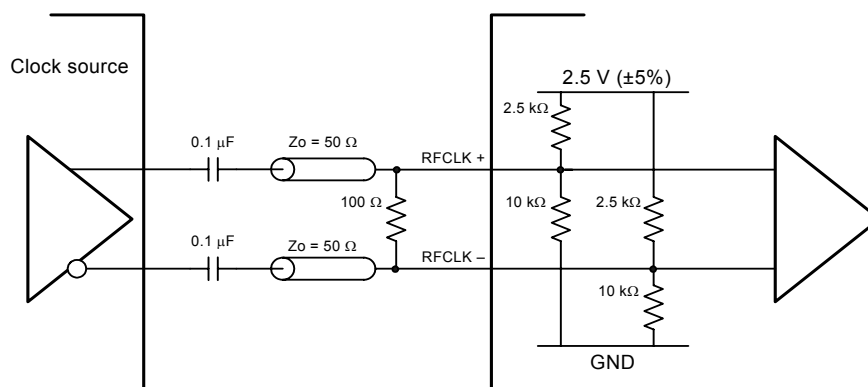


Figure 16. Input Termination for REFCLK (ac coupled)

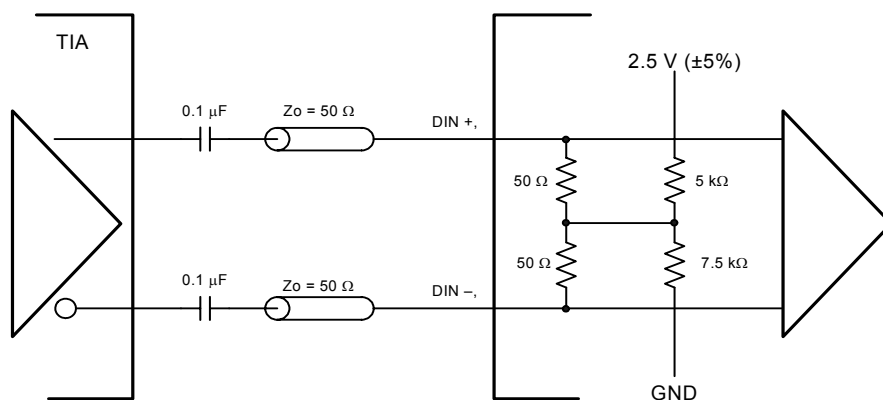


Figure 17. Input Termination for DIN (ac coupled)

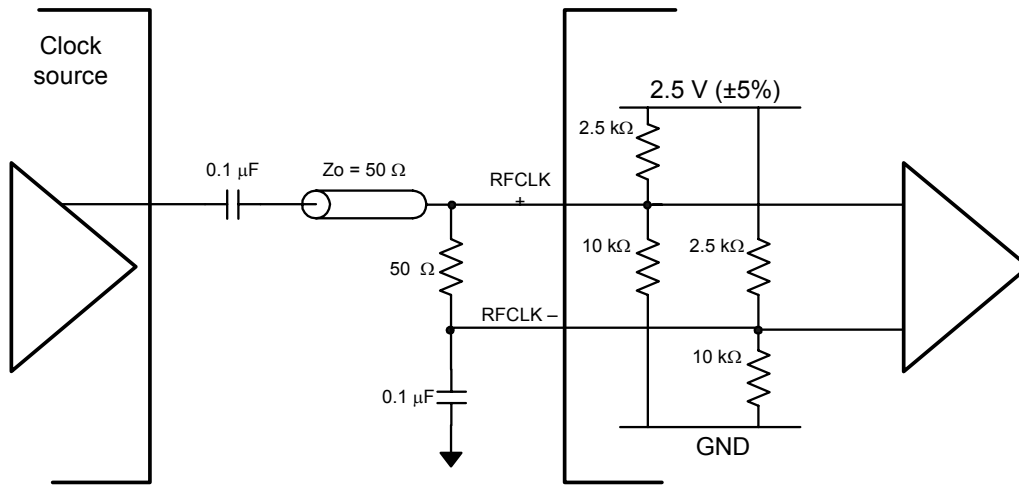


Figure 18. Single-Ended Input Termination for REFCLK (ac coupled)

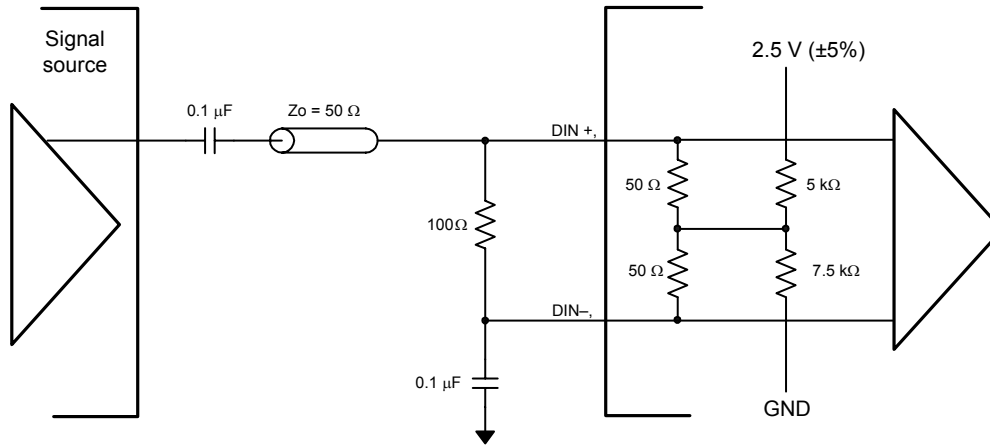


Figure 19. Single-Ended Input Termination for DIN (ac coupled)

4.19. Differential Output Circuitry

The Si5023 utilizes a CML architecture to output both the recovered clock (CLKOUT) and data (DOUT). An example of output termination with ac coupling is shown in Figure 20. In applications in which direct dc coupling is possible, the 0.1 μF capacitors may be omitted. The differential peak-to-peak voltage swing of the CML architecture is specified in Table 2.

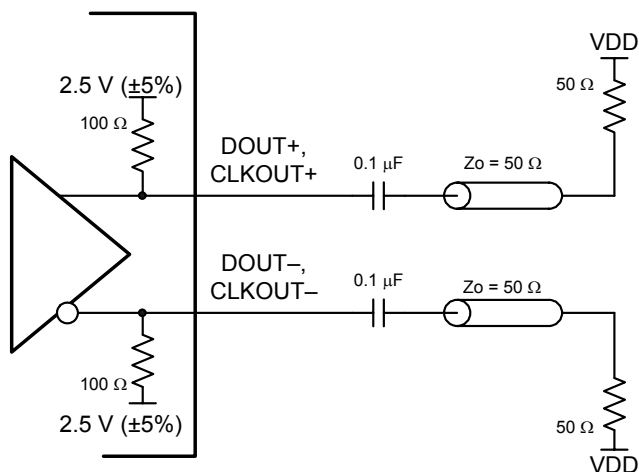


Figure 20. Output Termination for DOUT and CLKOUT (ac coupled)



5. Pin Descriptions: Si5023

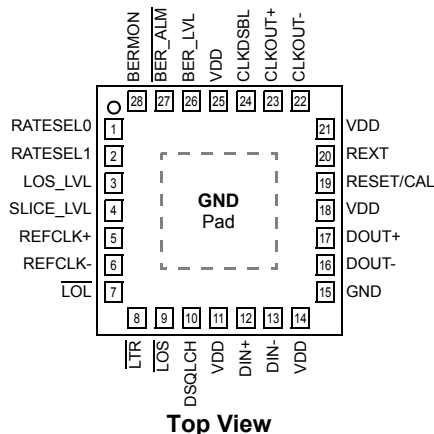


Figure 21. Si5023 Pin Configuration

Table 9. Si5023 Pin Descriptions

Pin #	Pin Name	I/O	Signal Level	Description
1,2	RATESEL0, RATESEL1	I	LVTTL	Data Rate Select. These pins configure the onboard PLL for clock and data recovery at one of four user selectable data rates. See Table 7 for configuration settings. Notes: 1. These inputs have weak internal pullups. 2. After any change in RATESEL, the device must be reset.
3	LOS_LVL	I		LOS Level Control. The LOS threshold is set by the input voltage level applied to this pin. Figure 6 on page 14 shows the input setting to output threshold mapping. LOS is disabled when the voltage applied is less than 1 V.
4	SLICE_LVL	I		Slicing Level Control. The slicing threshold level is set by applying a voltage to this pin as described in the Slicing Level section of the data sheet. If this pin is tied to GND, slicing level adjustment is disabled, and the slicing level is set to the midpoint of the differential input signal on DIN. Slicing level becomes active when the voltage applied to the pin is greater than 500 mV.

Table 9. Si5023 Pin Descriptions (Continued)

Pin #	Pin Name	I/O	Signal Level	Description
5 6	REFCLK+ REFCLK–	I	See Table 2	Differential Reference Clock (Optional). When present, the reference clock sets the center operating frequency of the DSPLL for clock and data recovery. Tie REFCLK+ to VDD and REFCLK– to GND to operate without an external reference clock. See Table 8 for typical reference clock frequencies.
7	$\overline{\text{LOL}}$	O	LVTTL	Loss-of-Lock. This output is driven low when the recovered clock frequency deviates from the reference clock by the amount specified in Table 4 on page 9. If no external reference is supplied, this signal will be active when the internal PLL is no longer locked to the incoming data.
8	$\overline{\text{LTR}}$	I	LVTTL	Lock-to-Reference. When this pin is low, the DSPLL disregards the data inputs. If an external reference is supplied, the output clock is locked to the supplied reference. If no external reference is used, the DSPLL locks the control loop until $\overline{\text{LTR}}$ is released. Note: This input has a weak internal pullup.
9	$\overline{\text{LOS}}$	O	LVTTL	Loss-of-Signal. This output pin is driven low when the input signal is below the threshold set via LOS_LVL. (LOS operation is guaranteed only when ac coupling is used on the DIN inputs.)
10	DSQLCH		LVTTL	Data Squelch. When driven high, this pin forces the data present on DOUT+ = 0 and DOUT– = 1. For normal operation, this pin should be low. DSQLCH may be used during LOS/LOL conditions to prevent random data from being presented to the system. Note: This input has a weak internal pulldown.
11,14,18,21, 25	VDD		3.3 V	Supply Voltage. Nominally 3.3 V.
12 13	DIN+ DIN–	I	See Table 2	Differential Data Input. Clock and data are recovered from the differential signal present on these pins. AC coupling is recommended.
15	GND		GND	Production Test Input. This pin is used during production testing and <i>must</i> be tied to GND for normal operation.
16 17	DOUT– DOUT+	O	CML	Differential Data Output. The data output signal is a retimed version of the data recovered from the signal present on DIN.



Table 9. Si5023 Pin Descriptions (Continued)

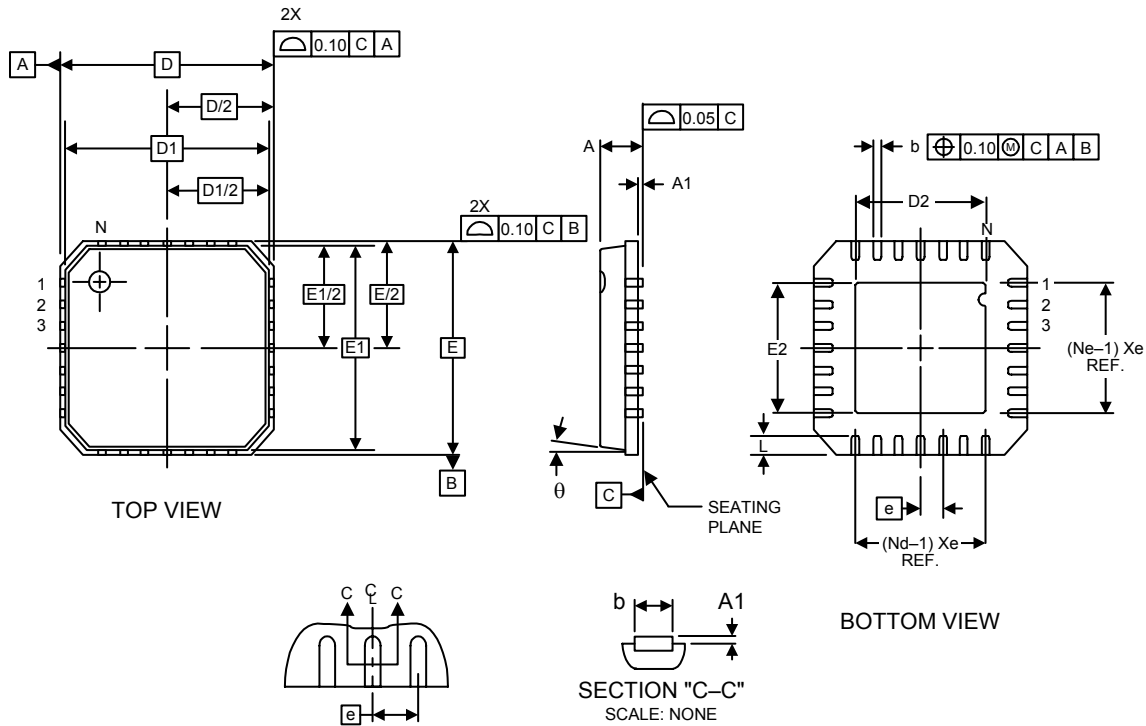
Pin #	Pin Name	I/O	Signal Level	Description
19	RESET/CAL	I	LVTTTL	Reset/Calibrate. Driving this input high for at least 1 μ s will reset internal device circuitry. A high to low transition on this pin will force a DSPLL calibration. For normal operation, drive this pin low. Note: This input has a weak internal pulldown.
20	REXT			External Bias Resistor. This resistor is used to establish internal bias currents within the device. This pin must be connected through a 10 k Ω (1%) resistor to GND.
22 23	CLKOUT– CLKOUT+	O	CML	Differential Clock Output. The output clock is recovered from the data signal present on DIN except when LTR is asserted or the LOL state has been entered.
24	CLKDSBL	I	LVTTTL	Clock Disable. When this input is high, the CLKOUT output drivers are disabled. For normal operation, this pin should be low. Note: This input has a weak internal pulldown.
26	BER_LVL	I		Bit Error Rate Level Control. The BER threshold level is set by applying a voltage to this pin. The applied voltage is as described in the BER_LVL section. When the BER exceeds the programmed threshold, BER_ALM is driven low. If this pin is tied to GND, BER_ALM is disabled.
27	$\overline{\text{BER_ALM}}$	O	LVTTTL	Bit Error Rate Alarm. This pin will be driven low to indicate that the BER threshold set by BER_LVL has been exceeded. There is no hysteresis.
28	BERMON	O		Bit Error Rate Monitor. The voltage on this pin is proportional to the detected bit error rate computed by the internal BER processor. This voltage output has a range of 0 to 0.87 V. See Figure 8 on page 15. The output is a current source, which requires a 5 k Ω (1%) resistor to GND to guarantee the operating range shown in Figure 8. This pin may be left unconnected.
GND Pad	GND		GND	Supply Ground. Nominally 0.0 V. The 3 x 3 mm square GND pad found on the bottom of the 28-lead micro leaded package (see Figure 22) must be connected directly to supply ground. Minimize the ground path inductance for optimal performance.

6. Ordering Guide

Part Number	Package	Voltage	Lead-Free	Temperature
Si5023-X-GM	28-Lead QFN	3.3	Yes	-40 to 85 °C
Notes: <ol style="list-style-type: none">1. "X" denotes product revision.2. Add an "R" at the end of the device to denote tape and reel option; 2500 quantity per reel.				

7. Package Outline

Figure 22 illustrates the package details for the Si5023. Table 10 lists the values for the dimensions shown in the illustration. For a pad layout recommendation please contact Silicon Laboratories.



Approximate device weight is 62.2 mg.

Figure 22. 28-Lead Quad Flat No-Lead (QFN)

Table 10. Package Diagram Dimensions

Controlling Dimension: mm

Symbol	Millimeters		
	Min	Nom	Max
A	—	0.85	0.90
A1	0.00	0.01	0.05
b	0.18	0.23	0.30
D	5.00 BSC		
D1	4.75 BSC		
D2	2.95	3.10	3.25
E	5.00 BSC		
E1	4.75 BSC		
E2	2.95	3.10	3.25
N	28		
Nd	7		
Ne	7		
e	0.50 BSC		
L	0.50	0.60	0.75
θ			12°

DOCUMENT CHANGE LIST

Revision 1.21 to Revision 1.22

- Updated "3.Typical Application Schematic" on page 11.
- Updated Figure 11 on page 16.
- Updated Table 9 on page 22.
 - Updated BERMON pin description.

Revision 1.22 to Revision 1.23

- Updated Table 2 on page 7.
 - Added "Output Common Mode Voltage (Si5023) (DOUT)" with updated values.
 - Added "Output Common Mode Voltage (Si5023) (CLKOUT)" with updated values.
- Updated Table 3 on page 8.
 - Added "Output Clock Duty Cycle OC-48/12/3"
- Updated Table 9 on page 22.
 - Changed "clock input" to "DIN inputs" for Loss-of-Signal.
- Updated Figure 22, "28-Lead Quad Flat No-Lead (QFN)," on page 26.
- Updated Table 10, "Package Diagram Dimensions," on page 26.
 - Changed dimension A.
 - Changed dimension E2.

Revision 1.23 to Revision 1.24

- Removed all references to Si5022.
- Updated Table 2 on page 7.
 - I_{dd}
 - P_d
 - R_{IN}
 - $+V_{ICM}$
 - $+V_{OD}$
 - $+V_{OCM}$
- Updated Tables 3 and 4 on page 8.
 - Clarified f_{CLK} for the different settings of RATESEL
 - Revised duty cycle, t_{CR-D} , C_{TOL}
 - Revised slicing level accuracy
- Updated Table 8 on page 13.
 - Removed OC3 support for 15/14 FEC
- Updated "4.17.Voltage Regulator" on page 19.
 - Due to removal of Si5022 references
- Updated "6.Ordering Guide" on page 25.
 - Added "X" to part number.

Revision 1.24 to Revision 1.25

- Updated Table 2 on page 7.
 - Added limits for V_{ICM} .
 - Updated V_{OD} .
- Updated Table 3 on page 8.
 - Updated T_{Cr-D} .
 - Updated T_{Cf-D} .
 - Revised SLICE specification.
- Updated Table 4 on page 9.
 - T_{AQ} min/max values updated.
- Updated "4.8.Loss-of-Signal (LOS)" on page 13.
 - Added note describing valid signal.
 - Revised Figure 6, "LOS_LVL Mapping (PRBS23 Data)," on page 14, showing internal noise limits.
- Updated "4.9.Bit Error Rate (BER) Detection" on page 14.
 - Revised Figure 8.
 - Added Figures 9 and 10.
- Updated "4.10.Data Slicing Level" on page 14.
 - Added Figures 12 and 13.
 - Revised text.
- Updated pin description for RATESEL.

CONTACT INFORMATION

Silicon Laboratories Inc.

4635 Boston Lane

Austin, TX 78735

Tel: 1+(512) 416-8500

Fax: 1+(512) 416-9669

Toll Free: 1+(877) 444-3032

Email: HighSpeed@silabs.com

Internet: www.silabs.com

The information in this document is believed to be accurate in all respects at the time of publication but is subject to change without notice. Silicon Laboratories assumes no responsibility for errors and omissions, and disclaims responsibility for any consequences resulting from the use of information included herein. Additionally, Silicon Laboratories assumes no responsibility for the functioning of undescribed features or parameters. Silicon Laboratories reserves the right to make changes without further notice. Silicon Laboratories makes no warranty, representation or guarantee regarding the suitability of its products for any particular purpose, nor does Silicon Laboratories assume any liability arising out of the application or use of any product or circuit, and specifically disclaims any and all liability, including without limitation consequential or incidental damages. Silicon Laboratories products are not designed, intended, or authorized for use in applications intended to support or sustain life, or for any other application in which the failure of the Silicon Laboratories product could create a situation where personal injury or death may occur. Should Buyer purchase or use Silicon Laboratories products for any such unintended or unauthorized application, Buyer shall indemnify and hold Silicon Laboratories harmless against all claims and damages.

Silicon Laboratories, Silicon Labs, and DSPLL are trademarks of Silicon Laboratories Inc.

Other products or brandnames mentioned herein are trademarks or registered trademarks of their respective holders.