

FEATURES AND BENEFITS

Reduce cost and the number of cables required for control systems by using Micro-C PolyPort junction boxes

PolyPort junction boxes allow the user to make multiple connections from a single source, thereby reducing the number of cables required for a control system. The user can label each port so that determining the piece of equipment being powered is quick and easy.

Micro-C PolyPort junction boxes function at a wider operating temperature (-50 to 90°C UL rating) than most competitors. The ports are .62" in diameter and are best suited for low power, low-voltage applications.

Three port sizes are standard to meet virtually any customer requirement by eliminating the call for knockouts and terminal strips. This reduces the need for special wiring, which is both costly and has the potential for errors.

Features and Benefits

- IP 68 and NEMA 6P ratings allow junction boxes to be submerged for more than 30 minutes at a depth of eight feet without compromising integrity
- Gold plated contacts increase mating durability
- Make first break last contact provided reduces danger of electrical shock
- Metallic label allows ports to be identified easily, markings may be wiped off and relabeled
- Two through holes allow the box to be anchored in place

molex® Micro-C PolyPort™ Junction Boxes

84584

**4, 6 and 8 Port Junction
Boxes in a 3 Circuit
Configuration**



SPECIFICATIONS

Reference Information

Packaging: Boxes, 1 per
UL File No.: E165657
CSA File No.: Pending
Mates With: Micro-C, male connectors
Designed In: Inches

Electrical

Voltage: 300 VAC
Current: 7 Amps per unit max.
5 Amps per port max.
Contact Resistance: $\leq 5m\Omega$

Physical

Housing: Polyester
Contact: Gold over Nickel
Insulator: Zytel ST801
Underplating: Brass
Sleeve: Nickel plated Brass
Port Shell: Anodized Aluminum
Label: Polyester

Environmental

Operating Temperature: -34 to 90°C (CSA rating)
Waterproof: NEMA 6P and IP68



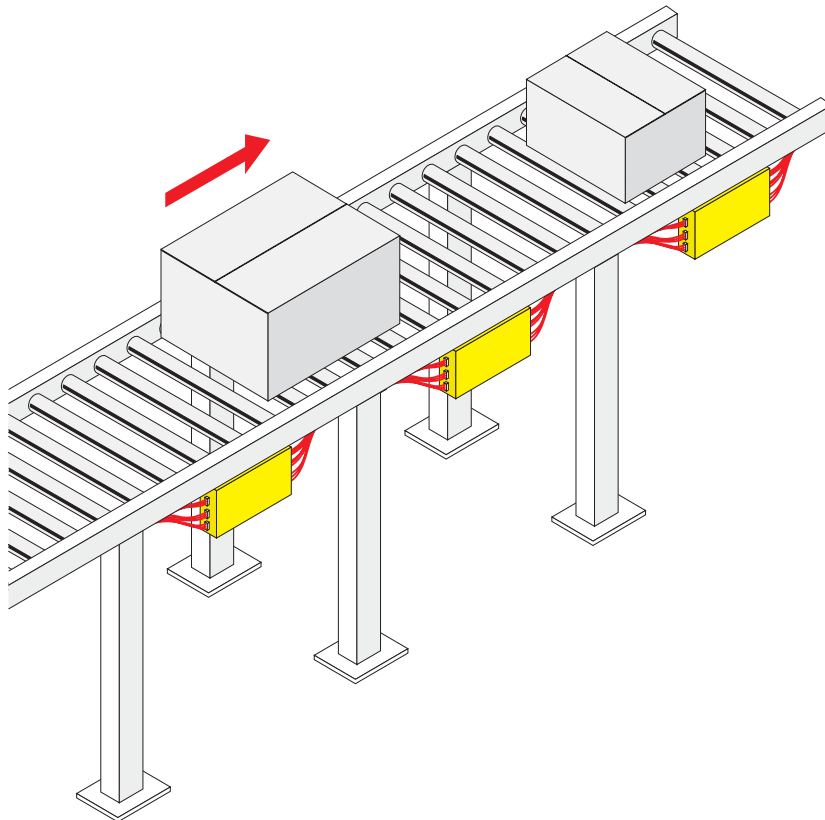
APPLICATIONS

- Automotive assembly lines
- Material handling systems
- Conveyors
- Robots
- Packaging and sorting equipment

molex[®] Micro-C PolyPort™ Junction Boxes

84584

4, 6 and 8 Port Junction Boxes in a 3 Circuit Configuration



ORDERING INFORMATION

Order No.	Description	Number of Ports	Height	Length	Width	Mounting Hole Width	Mounting Hole Distance
84584-0004	Micro-C Distribution Box, 4 Port	4	34.80mm (1.37")	154.94mm (6.10")	98.04mm (3.86")	6.60mm (0.26")	25.4mm (1.00")
84584-0006	Micro-C Distribution Box, 6 Port	6	34.80mm (1.37")	163.58mm (6.44")	98.04mm (3.86")	6.60mm (0.26")	25.4mm (1.00")
84584-0008	Micro-C Distribution Box, 8 Port	8	34.80mm (1.37")	212.60mm (8.37")	98.04mm (3.86")	6.60mm (0.26")	50.80mm (2.00")

Americas Headquarters
Lisle, Illinois 60532 U.S.A.
1-800-78MOLEX
amerinfo@molex.com

Far East North Headquarters
Yamato, Kanagawa, Japan
81-462-65-2324
feninfo@molex.com

Far East South Headquarters
Jurong, Singapore
65-6-268-6868
fesinfo@molex.com

European Headquarters
Munich, Germany
49-89-413092-0
eurinfo@molex.com

Corporate Headquarters
2222 Wellington Ct.
Lisle, IL 60532 U.S.A.
630-969-4550
Fax:630-969-1352

Visit our Web site at www.molex.com/ind/polypport.html