

**PLEASE CHECK WWW.MOLEX.COM FOR LATEST PART INFORMATION**

**Part Number:** [0431784002](#)  
**Status:** **Active**  
**Overview:** [sabre](#)  
**Description:** Sabre™ Crimp Terminal, Male, with Tin (Sn) Plated Brass Contacts, 18 AWG or 20 AWG, Reel Packaged

**Documents:**

[Drawing \(PDF\)](#) [RoHS Certificate of Compliance \(PDF\)](#)

**General**

Product Family	Crimp Terminals
Series	<a href="#">43178</a>
Crimp Quality Equipment	Yes
Overview	<a href="#">sabre</a>
Product Literature Order No	USA-113
Product Name	Sabre™

**Physical**

Durability (mating cycles max)	25
Gender	Male
Material - Metal	Brass
Material - Plating Mating	Tin
Material - Plating Termination	Tin
Packaging Type	Reel
Plating min: Mating (µin)	20
Plating min: Mating (µm)	0.50
Plating min: Termination (µin)	20
Plating min: Termination (µm)	0.50
Termination Interface: Style	Crimp or Compression
Wire Insulation Diameter	3.30mm (.130") max.
Wire Size AWG	18, 20
Wire Size mm²	N/A

**Material Info**

**Reference - Drawing Numbers**

Sales Drawing	SD-43178-002
---------------	--------------

**EU RoHS**  
**ELV and RoHS**  
**Compliant**  
**REACH SVHC**  
**Contains SVHC: No**  
**Halogen-Free**  
**Status**  
**Halogen-Free**

**China RoHS**



**Need more information on product environmental compliance?**

Email [productcompliance@molex.com](mailto:productcompliance@molex.com)  
 For a multiple part number RoHS Certificate of Compliance, [click here](#)

Please visit the [Contact Us](#) section for any non-product compliance questions.

**Search Parts in this Series**

[43178Series](#)

**Mates With**

[43375 Female Crimp Terminals](#)

**Use With**

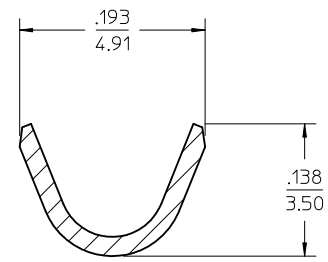
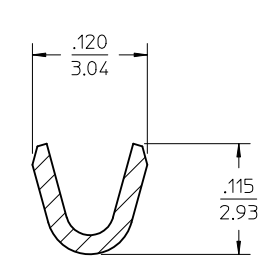
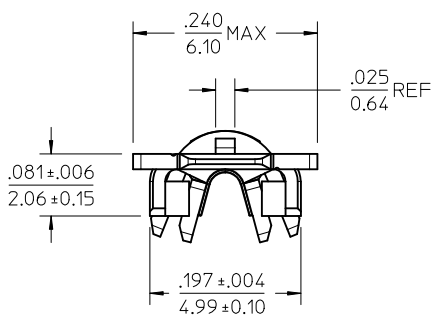
[43680 Plug Housings](#)

**Application Tooling | [FAQ](#)**

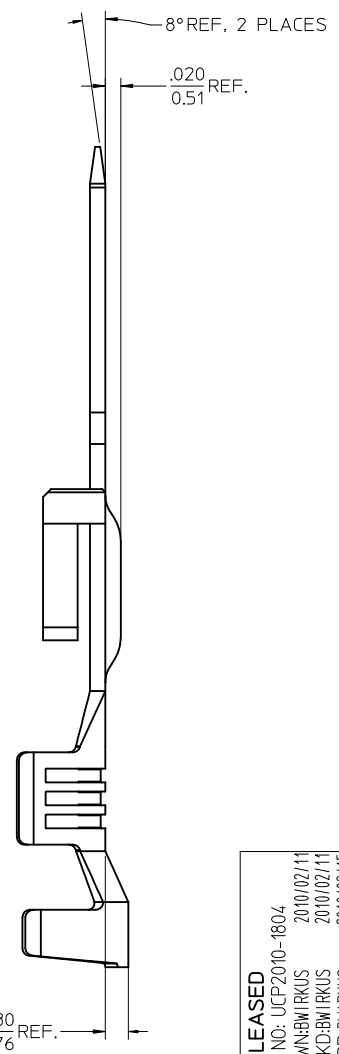
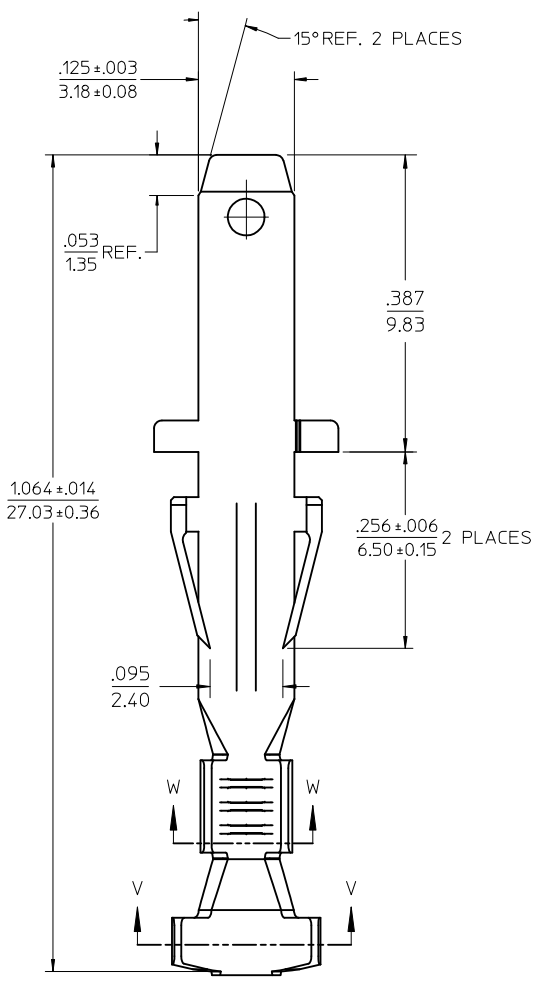
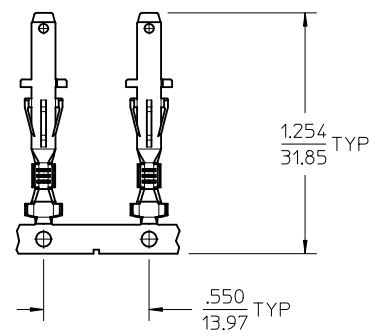
*Tooling specifications and manuals are found by selecting the products below. Crimp Height Specifications are then contained in the Application Tooling Specification document.*

**Global**

<b>Description</b>	<b>Product #</b>
Hand Crimp Tool for Sabre™ Crimp Terminals	<a href="#">0638233300</a>
Fine Adjust Applicator for Sabre™ Male Flat Blade Crimp Terminals	<a href="#">0639013300</a>



MATERIAL NUMBER	FINISH
43178-4001	999
43178-4002	H901



**NOTES**

1. MATERIAL: BRASS
2. FINISH:  
999 - UNPLATED  
H901 - 20 MICROINCH / 0.5 MICROMETERE MIN. PREPLATED HOT TIN DIP
3. PRODUCT SPECIFICATION: PS-44441-001
4. PACKAGING: TERMINALS ARE WOUND ON 30" REELS WITH PAPER INTERLEAF. 6000 PER REEL.
5. TERMINAL ACCEPTS SINGLE #18 OR #20 AWG STRANDED WIRE, INSULATION: UL TYPE 1015, .098-.110 / 2.50-2.85 DIAMETER, (.031 / 0.79 NOMINAL JACKET WALL THICKNESS).
6. TERMINAL FOR USE IN "SABRE" PLUG HOUSINGS, SERIES 43680. MATES TO 43374 / 43375 SERIES TERMINALS.
7. TERMINAL HAS TPA (TOTAL POSITIONING ASSURANCE) OPTIONAL ACTIVATION FEATURE THAT WHEN ACTIVATED AND USED WITH MOLEX "SABRE" SERIES PLUG HOUSINGS PROVIDES A SECONDARY LOCK SYSTEM WHICH ENSURES AGAINST TERMINAL BACKOUTS.

RELEASED EC NO: UCP2010-1804 DRWN: BWIRKUS 2010/02/11 CHKD: BWIRKUS 2010/02/11 APPR: BWIRKUS 2010/02/15	QUALITY SYMBOLS ▼=0 ▽=0	GENERAL TOLERANCES (UNLESS SPECIFIED)		DIMENSION STYLE IN/MM	SCALE 8:1	DESIGN UNITS INCH	THIRD ANGLE PROJECTION
		4 PLACES ± --- ± --- 3 PLACES ± --- ± .010 2 PLACES ± 0.25 ± .014 1 PLACE ± 0.35 ± ---	mm INCH ± --- ± --- ± .010 ± .014 ± --- ± ---	DRAWN BY C STEWART	DATE 02-23-06	TITLE <b>TERMINAL, MALE CRIMP, 18-20 AWG, .125 WIDE TAB SABRE SERIES, W/ TPA</b>	
REV A	DESCRIPTION	ANGULAR ± 1/2°		APPROVED BY BWIRKUS	DATE 02-23-06	MOLEX INCORPORATED	
		DRAFT WHERE APPLICABLE MUST REMAIN WITHIN DIMENSIONS		MATERIAL NO. <b>SEE CHART</b>	DOCUMENT NO. <b>SD-43178-002</b>	SHEET NO. 1 OF 1	