

General Description

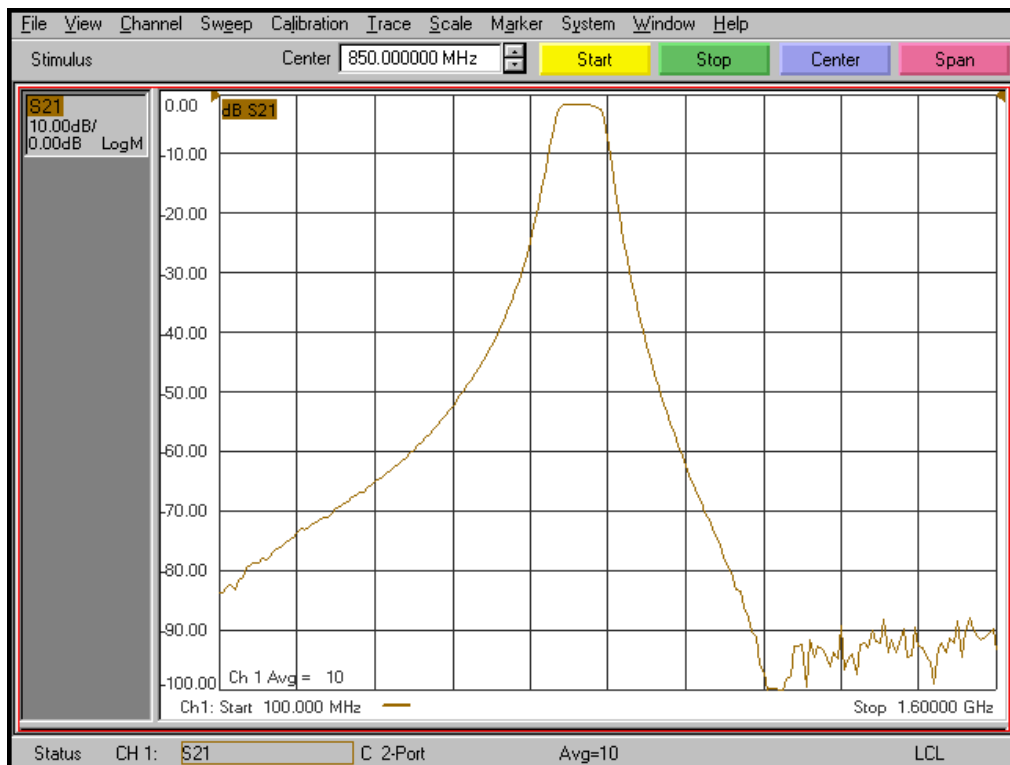
KR Electronics part number 3057-SMA is a 795 MHz bandpass filter. The filter has a typical 3 dB bandwidth of 95 MHz and a typical 50 dB bandwidth of 400 MHz. Other center frequencies and bandwidths are available. Please consult the factory.

Features

- 795 MHz Bandpass Filter
- 95 MHz typical 3 dB Bandwidth
- 400 MHz typical 50 dB Bandwidth
- 50 Ω Source and Load
- SMA Connectors
- Also available in SMD package

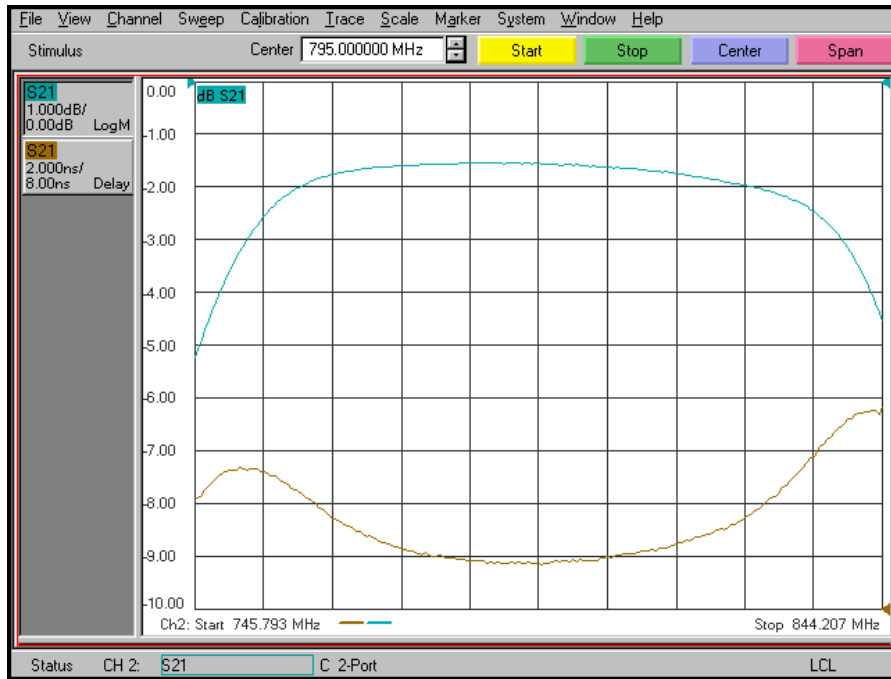
Typical Performance

Overall Response (10 dB/div)

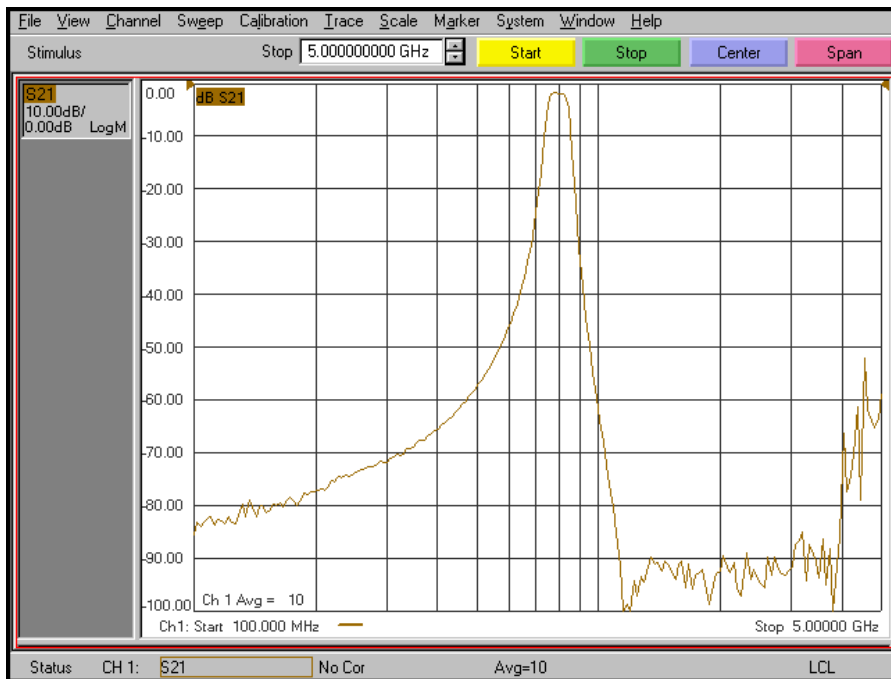


KR Electronics 3057-SMA

Passband Amplitude & Group Delay (1 dB/div & 2 nsec/div)



Overall Response (10 dB/div)



KR Electronics, Inc.
91 Avenel Street
Avenel, NJ 07001

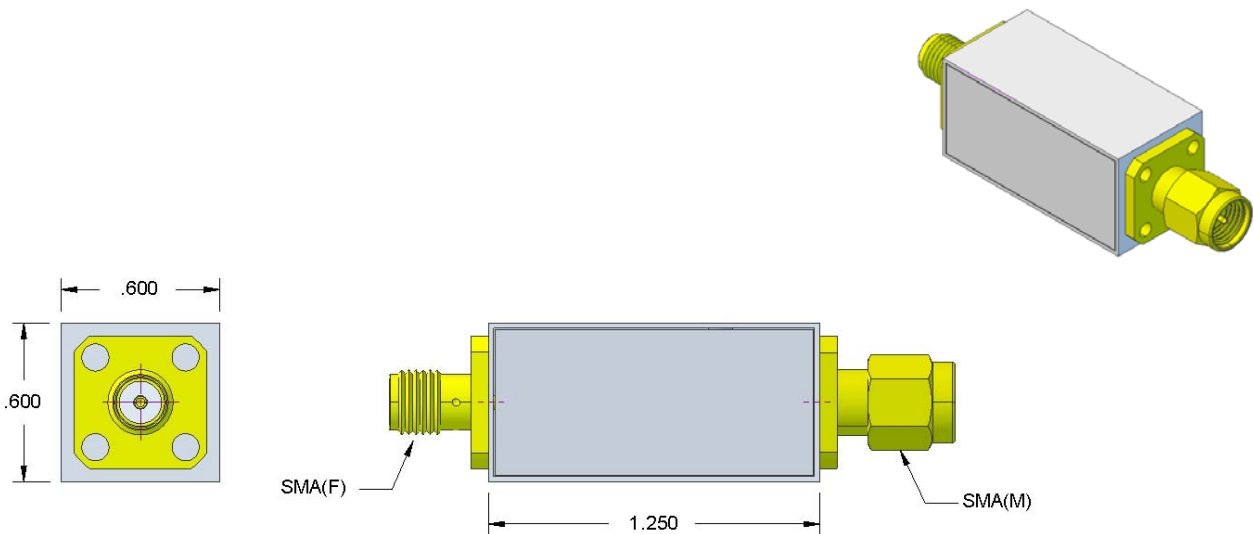
Web www.krfilters.com
Email sales@krfilters.com
Phone (732) 636-1900
Fax (732) 636-1982

KR Electronics 3057-SMA

Specifications

Parameter	Specification	
Filter type	Bandpass	
Center Frequency	795 MHz	
Insertion Loss	3 dB max	2 dB typical
1 dB Bandwidth	78 MHz typical	
3 dB Bandwidth	95 MHz typical	
40 dB Bandwidth	294 MHz typical	
50 dB Bandwidth	400 MHz typical	
Source and Load	50 Ω	

Physical Dimensions



Notes:

1. Dimensions in inches
2. Metal Case
3. SMA(F) to SMA(M) Connectors
4. Also available in surface mount package