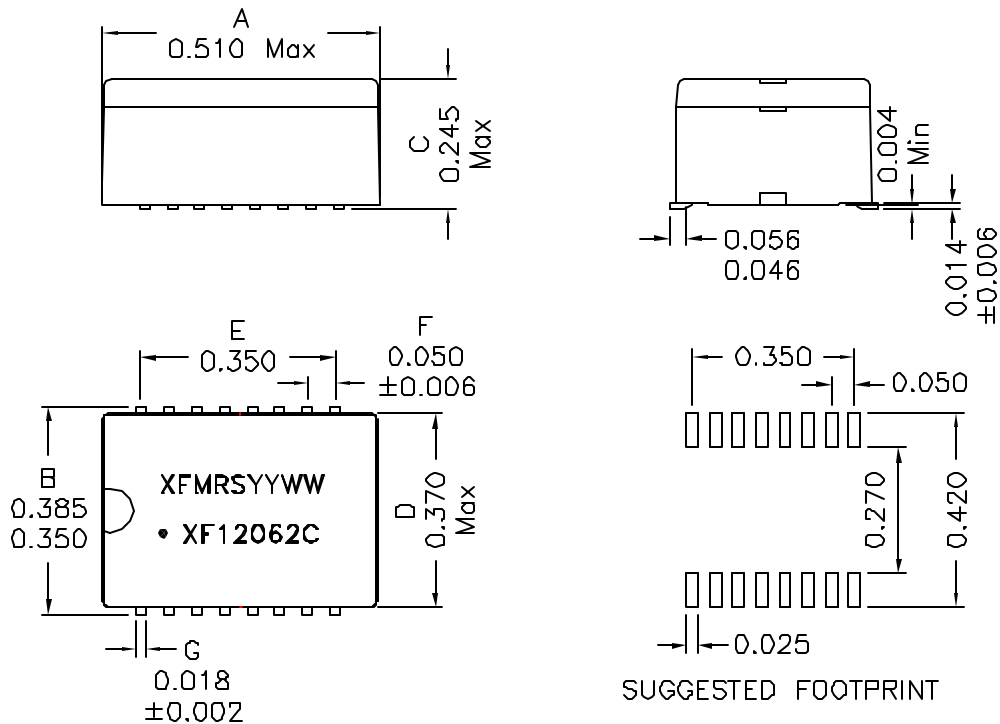


1. Dimensions:

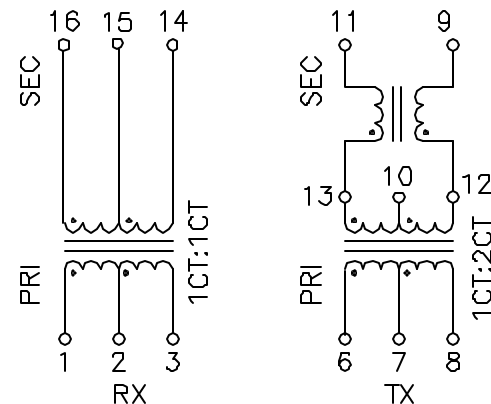


Notes:

1. Solderability: Leads shall meet MIL-STD-202G, Method 208H for solderability.
2. Flammability: UL94V-0
3. ASTM oxygen index: > 28%
4. Insulation System: Class F 155°C. UL file E151556
5. Operating Temperature Range: All listed parameters are to be within tolerance from -40°C to +85°C
6. Storage Temperature Range: -55°C to +125°C
7. Aqueous wash compatible
8. SMD Lead Coplanarity: ±0.004"(0.102mm)
9. Electrical and mechanical specifications 100% tested
10. RoHS Compliant Component

DOC. REV: B/1

2. Schematic:



3. Electrical Specifications:@25°C

OCL: Pins 1-3 & 6-8 112uH Min @100KHz 100mV
 Cw/w: 9pF Max @ 100KHz 20mV (Pri/Sec)
 Pri LL: 0.3uH Max @ 100KHz 20mV (Short Sec)
 Pri Q: 8 Min @ 100KHz 100mV
 DC Res.: 0.80 Ohms Max
 Turns Ratio: 1CT:2CT ±5% (TX)
 1CT:1CT ±5% (RX)
 Isolation Voltage: 1500 VAC

XFMR S Inc www.XFMRS.com	Title: 10 BASE T ISOLATION MAGNETICS		
	UNLESS OTHERWISE SPECIFIED TOLERANCES: .xxx ±0.010 Dimensions in Inch SHEET 1 OF 1	P/N: XF12062C DWN. CHK. APP.	REV. B Feng YK Liao Joe Huff

PROPRIETARY

Document is the property of XFMR S Group & is not allowed to be duplicated without authorization.