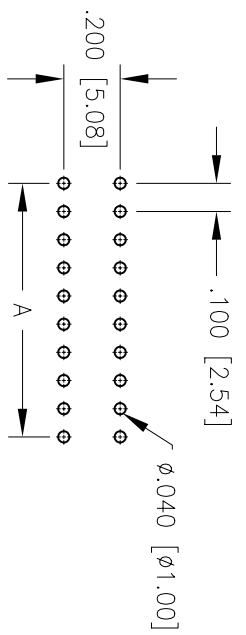
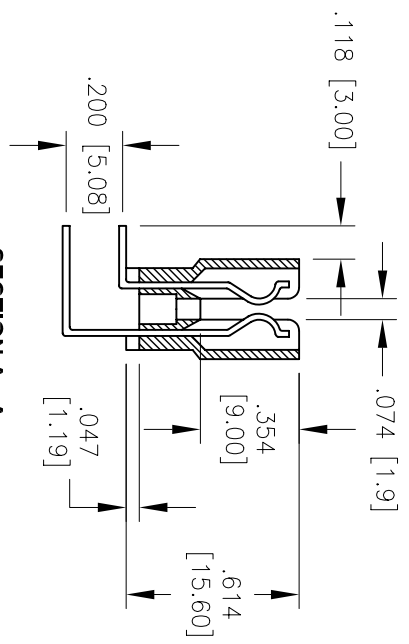
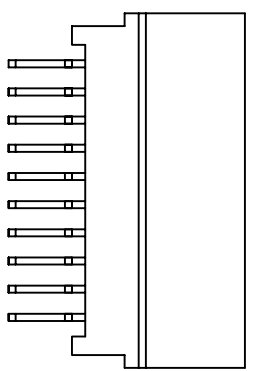
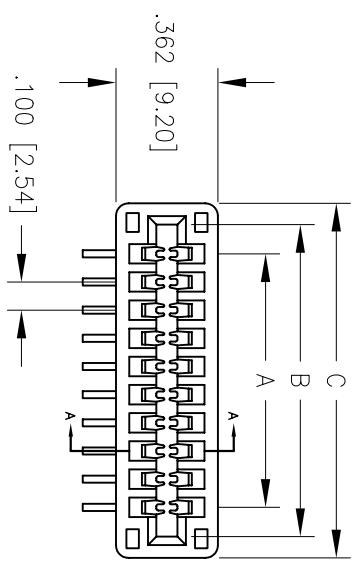


APPROVED: \_\_\_\_\_  
 DATE: \_\_\_\_\_ TITLE: \_\_\_\_\_



**RECOMMENDED PCB LAYOUT**

**SPECIFICATIONS:**

- Material:**  
 Insulator: PBT, glass reinforced, rated UL 94V-0  
 Insulator color: Black  
 Contacts: Phosphor Bronze  
 Plating:  
 Gold Flash over Nickel underplate on contact area, Tin over Copper underplate on tails  
**Electrical:**  
 Operating voltage: 250 VAC max  
 Current rating: 3 Amps max  
 Contact resistance: 30 mohms max  
 Insulation resistance: 3000 Mohms min @ 500 VDC  
 Dielectric withstanding voltage: 500 VAC for 1 minute  
**Temperature Rating:**  
 Operating temperature: -40°C to +105°C  
**Environmental:**  
 Lead free, RoHS Compliant,  
 Recommended Soldering temp: 230° for 5 sec.



Rev	AWO #	Description	Date	Appr
-		RELEASED	02/16/05	
A		ADDED RoHS TO SPECIFICATION	03/14/05	

UNLESS OTHERWISE SPECIFIED ALL DIMENSIONS ARE IN INCHES [MM] TOLERANCES: EXCEPT AS NOTED		TITLE CARD EDGE CONNECTOR, RIGHT ANGLE	
INCHES	HOLES	909 Rahway Avenue, Union, NJ 07083	
.X ± .10	ØXX ± .10	Phone: 908-687-5000 Fax: 908-687-5710	
.XX ± .020	ØXXX ± .015	ADAM TECH	
.XXX ± .015	ØXXXX ± .010	.100" PITCH, PCB	
APPROVALS	DATE	CERA-XX-U	
DRAWN	SS	SCALE: NTS	
CHECKED		SHEET 1 OF 1	
APPROVED		REV. A	