

4

3

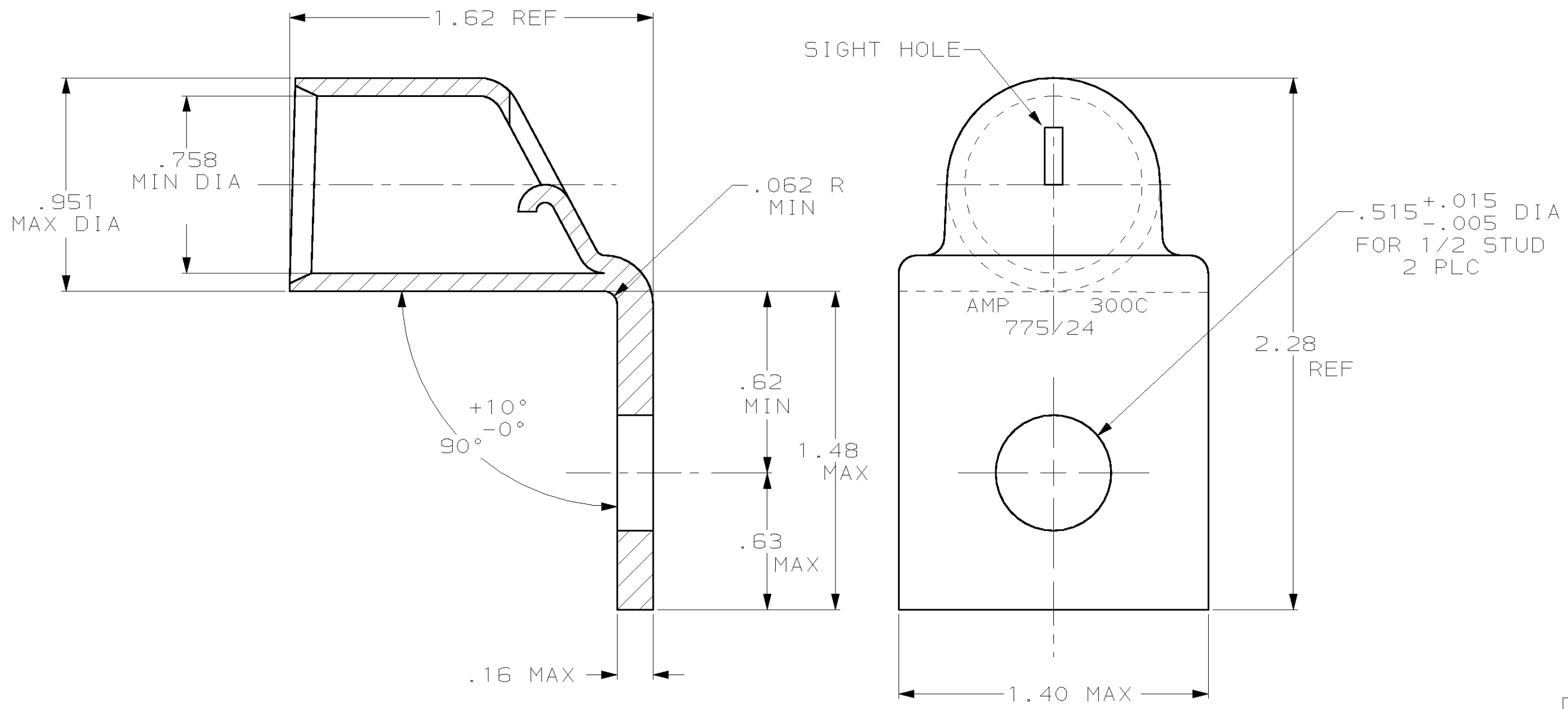
2

1

THIS DRAWING IS UNPUBLISHED. RELEASED FOR PUBLICATION ,19 .

© COPYRIGHT 19 BY AMP INCORPORATED. ALL RIGHTS RESERVED.

LOC	DIST	REVISIONS			
P	LTR	DESCRIPTION	DATE	DWN	APVD
G	86	A	REL PER 0G3A-0023-02	24APR02	JR CK



696391-1  
AMP  
PART NUMBER

# AMP INCORPORATED CUSTOMER SERVICE SYSTEMS

FOR ADDITIONAL PRODUCT INFORMATION OR COPIES OF DRAWINGS AND TECHNICAL DOCUMENTS  
PRODUCT INFORMATION CENTER  
1-800-522-6752

FOR APPLICATION TOOLING INFORMATION  
TOOLING ASSISTANCE CENTER  
1-800-722-1111

FOR ORDER ENTRY  
1-800-526-5142

RECOMMENDED OPERATING TEMPERATURE:  
170° MAX

VOLTAGE RATING:  
NOT APPLICABLE

WIRE CROSS SECTIONAL AREA RANGE:  
100.0-125.0mm<sup>2</sup> [190,000-231,000] CIR MILS  
SOLID OR STRANDED

THIS DRAWING IS A CONTROLLED DOCUMENT FOR AMP INCORPORATED. IT IS SUBJECT TO CHANGE AND THE CONTROLLING ENGINEERING ORGANIZATION SHOULD BE CONTACTED FOR THE LATEST REVISION.

DIMENSIONS:  
mm [INCHES]

TOLERANCES UNLESS OTHERWISE SPECIFIED:

0 PLC	±-
1 PLC	±-
2 PLC	±-
3 PLC	±-
4 PLC	±-
ANGLES	±-

MATERIAL: COPPER PER ASTM B-188 ANNEALED

FINISH: TIN PLATE 0.00381 [0.00150] MIN THK

DWN: JR RUTH 14DEC01  
CHK: M SPICER 14DEC01  
APVD: M SPICER 14DEC01  
PRODUCT SPEC: 108-30200  
APPLICATION SPEC: -  
WEIGHT: .142 lbs

**AMP** AMP Incorporated  
Harrisburg, PA 17105-3608

NAME: TERMINAL, AMPOWER, BENT 90  
WIRE SIZE: 300 MCM

SIZE: A3 CAGE CODE: 00779 DRAWING NO: C-696391

SCALE: 2:1 SHEET: 1 OF 1 REV: A

CUSTOMER DRAWING