

# TEMPERATURE COMPENSATED/VOLTAGE CONTROLLED CRYSTAL OSCILLATOR



2.5 X 2.0 X 1.0mm

ASTX-12, ASVTX-12

\* Preliminary



**RoHS**  
Compliant

## FEATURES:

- Compact and low in height.
- Low current consumption.
- Suitable for high-density SMT.
- Vc function corresponds to PLL circuits.
- IR reflow soldering possible.
- Low phase noise.

## APPLICATIONS:

- Cellular and cordless phones.
- Standard OSC for exact equipment.
- Mobile communication equipment.
- Portable radio equipment.
- Personal Digital Assistants (PDAs).
- Portable music players.

## STANDARD SPECIFICATIONS:

### PARAMETERS

ABRACON P/N	ASTX-12 Series or ASVTX-12 Series
Frequency Range	19.2 MHz to 38.4 MHz
Standard Frequencies	19.200 MHz, 26.000 MHz, 38.400 MHz
Frequency Stability	± 2.5 ppm (- 30° C ~ + 75° C)
Operating Temperature	- 30° C to + 75° C
Storage Temperature	- 40° C to + 85° C
Supply Voltage (Vdd)	2.4V ~ 3.0V ± 5% (see option)
Control Voltage (Vcc)	Center voltage ±1.0V (for ASVTX-12 Only)
Frequency Adjustment Range	± 4 ~ ±15 ppm (for ASVTX-12 Only)
Supply Current (Idd)	2.5mA max.
Output Voltage	0.8 V p-p min.
Output Load	10 kΩ // 10 pF
Start-up Time	3.5msec max.
Aging (first year)	± 1.0ppm / year max.

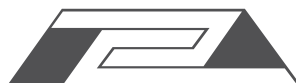
## OPTIONS & PART IDENTIFICATION:

[Left blank if standard]

ASTX or ASVTX - 12 - □ - Frequency - □

Vdd (V)	
A	3.0 ± 5%
B	2.8 ± 5%
C	2.75 ± 5%
D	2.4 ± 5%

Packaging	
Blank	Bulk
T	Tape and Reel 2,000 pcs



# TEMPERATURE COMPENSATED/VOLTAGE CONTROLLED CRYSTAL OSCILLATOR



2.5 X 2.0 X 1.0mm

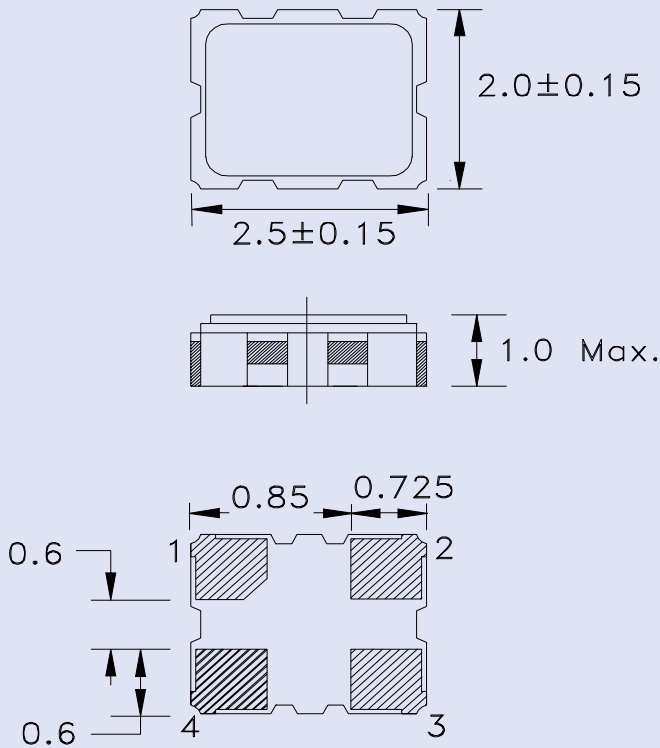
ASTX-12, ASVTX-12

\*Preliminary



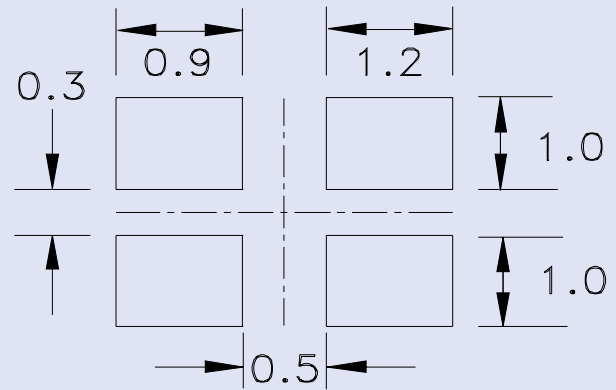
RoHS  
Compliant

## OUTLINE DRAWING:



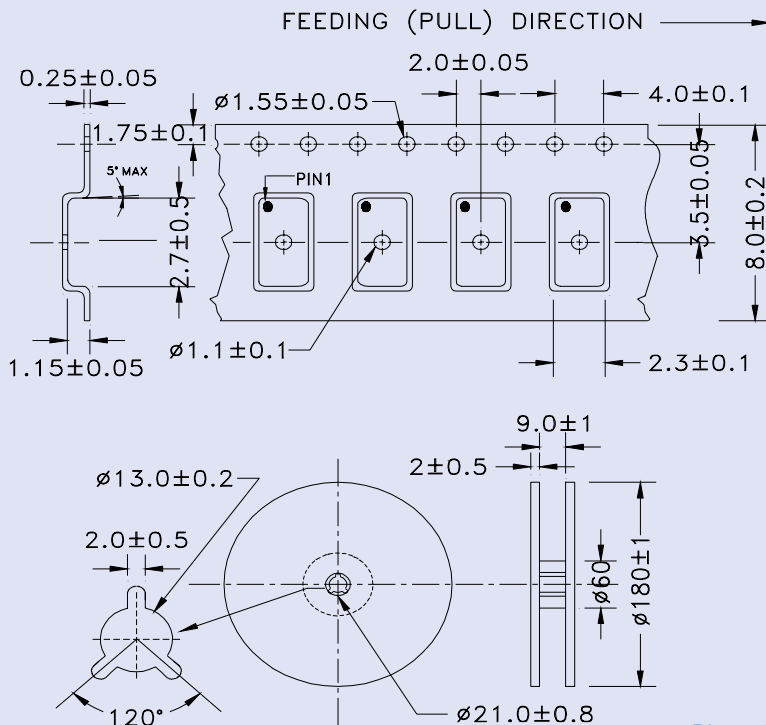
Note: Using an approximately 0.01uF bypass capacitor between PIN 2 & 4 is recommended.

## Recommended land pattern



Dimension : Inches (mm)

## TAPE & REEL:



Dimension : mm

PIN NO.	ASTX-12
1	GND
2	GND
3	Output
4	Vdd

PIN NO.	ASVTX-12
1	VC
2	GND
3	Output
4	Vdd

ABRACON IS  
ISO 9001 / QS 9000  
CERTIFIED



30332 Esperanza, Rancho Santa Margarita, California 92688  
tel 949-546-8000 | fax 949-546-8001 | www.abracon.com

Revised: 03.01.07