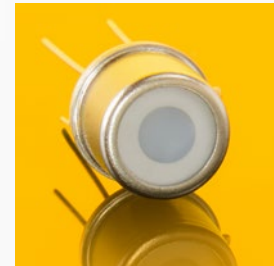




UV-TIAMO

- Broadband UVA+UVB+UVC amplified SiC UV detector
- Integrated Transimpedance Amplifier
- Sensitivity Range: 227-360 nm
- Approx. max irradiance 18 μ W/cm²
- TO5 housing with diffuser
- Applications: UV irradiation measurements



Description

The UV-TIAMO devices are using modern hybride technology to cancel unwanted signal disturbances caused by moisture or electromagnetic radiation. The stable 0...5V output voltage can be directly connected to a SPC controller or a voltage multimeter. No external amplifier is needed.

The photodetectors work with a SiC sensing chip. SiC provides the unique property of extreme radiation hardness, near-perfect visible blindness, low dark current, high speed and low noise. These features make SiC the best available material for visible blind semiconductor UV detectors.

Maximum Ratings (T = 25°C)

Parameter	Symbol	Values		Unit
		Min.	Max.	
Operating Temperature	T _{opr}	-25	+85	°C
Storage Temperature	T _{stg}	-40	+100	°C
Soldering Temperature (max. 3s)	T _{sol}		+300	°C

General Characteristics (T = 25°C)

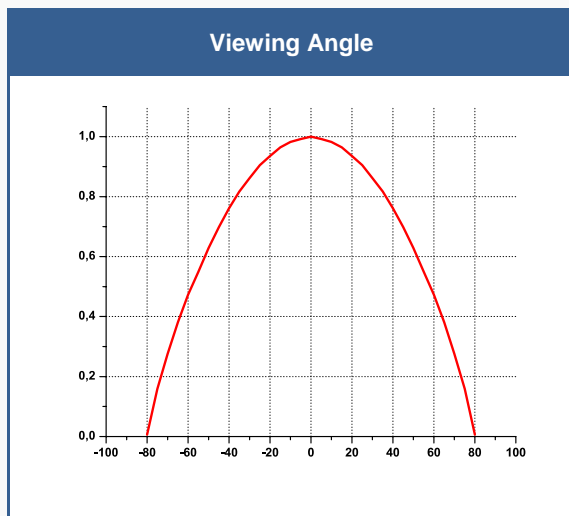
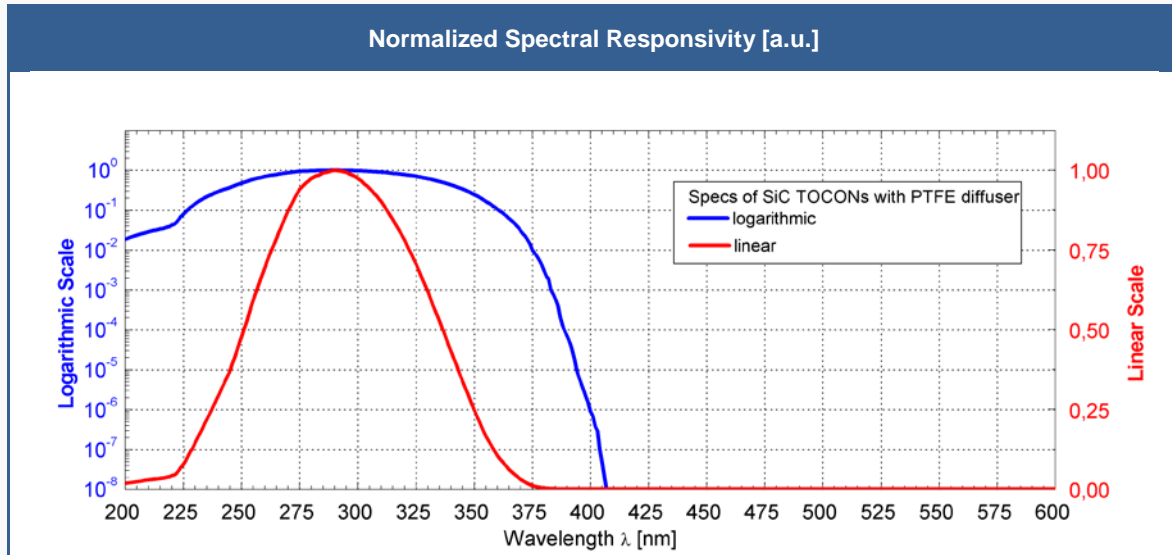
Parameter	Symbol	Values			Unit
		Min.*	Typ.*	Max.*	
Supply voltage	V _{supply}	2.5		5.0	V
Saturation voltage	V _{sat}		V _{supply} - 5%		V
Dark offset voltage	V _{offset}		50		μ V
Current consumption	I		150		μ A
Bandwidth (-3 dB)	Θ		15		Hz
Risetime (10-90%) (other risetimes on demand)	t _{rise}		0,066		s
Temperature coefficient	T _C			-0.3	%/K

Spectral Characteristics (T = 25°C)

Parameter	Symbol	Values			Unit
		Min.*	Typ.*	Max.*	
Sensitivity at peak	S _{max}		280		mV/nW/cm ²
Wavelength of max. spectral sens.	λ_{max}		290		nm
Sensitivity range (S=0.1*S _{max})	-	227		360	nm
Visible blindness (S _{max} / S _{>405nm})	VB		10 ¹⁰		-



Performance Characteristics



Product Portfolio

We offer the following amplified UV photodetectors:

Option	Approx. min irradiance	Approx. max irradiance ($V_{\text{supply}} = 5V$)
UV-TIAMO-BL	1.8 pW/cm ²	18 nW/cm ²
UV-TIAMO	1.8 nW/cm ²	18 μ W/cm ²
UV-TIAMO-S	1.8 μ W/cm ²	18 mW/cm ²
UV-TIAMO-M	18 μ W/cm ²	180 mW/cm ²

UV photodiodes without amplifier and different spectral sensitivities are available.

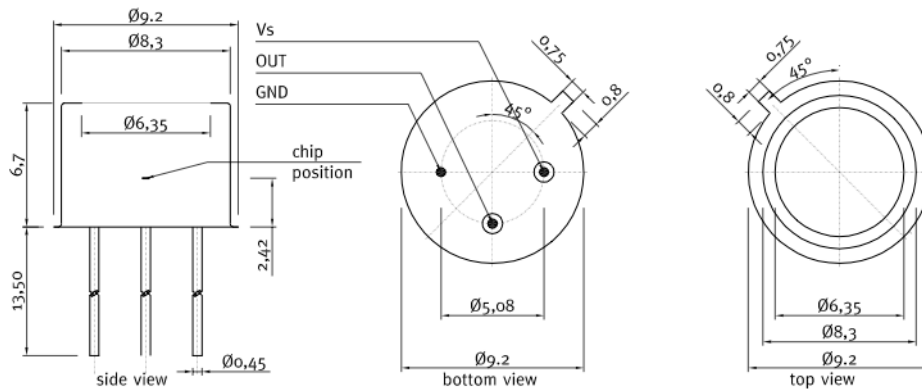
Falls benötigt...

Falls benötigt...



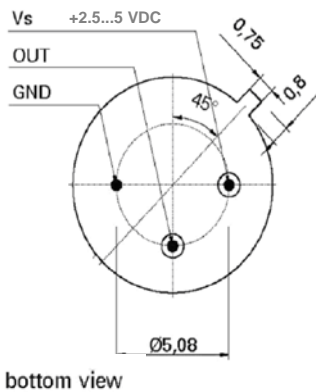
Outline Dimensions

T05 with concentrator lens cap



All dimensions in mm

Connection diagram



The detector is to be supplied with a voltage of $V_{supply}=2.5...5VDC$ between pin Vs and pin GND.

The voltage output signal is measured between pin OUT and pin GND.

Please note that the theoretic maximum signal output is always a little less (approx. 5%) than the supply voltage.

CAUTION!

Wrong wiring leads to immediate destruction of the device.

Application Note

To make the photodiode running reliably, particularly in harsh environment, EMC compatibility and protection against dust, water, and mechanical influences is required. Below listed modules base on a SiC photodiode and guarantee this protection and safety.

UV-probe: SiC based sensor modules in **customizable industry grade housings** (e.g. cosine response, water pressure proof, sapphire windows) and **different electronic output configurations** (voltage, current, USB, Can, LAN) to choose from.

→ Ask us for further details!