

# VXO-SK-H-4p

SMD VCXO  
HCMOS / TTL compatible

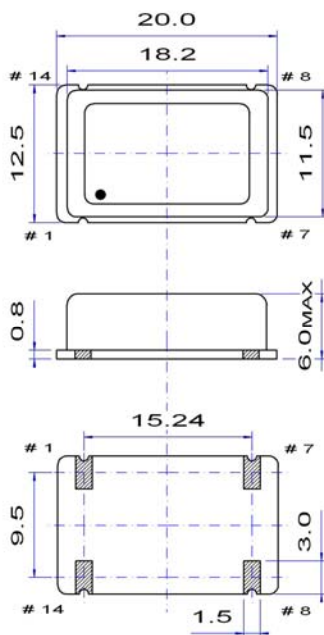
QuartzCom  
the communications company



## Features

- Applications: telecommunications, instrumentation, microwave
- Output frequency up to 200 MHz
- Low jitter < 0.5 ps
- Wide frequency pulling range up to  $\pm 200$  ppm

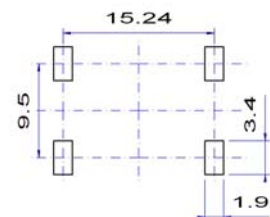
Parameter	Specification	
	VXO-SK-3HM-4p	VXO-SK-5HM-4p
Frequency range	10 ~ 200 MHz	
Standard frequencies	13.00, 27.00, 32.768, 38.880, 52.00 & 80.00 MHz	
Supply voltage	+3.3 V $\pm 5\%$	+5.0 V $\pm 5\%$
Supply current	10 ~ 50 mA	6 ~ 25 mA
Frequency stability (all inclusive) (*)	< $\pm 25$ ppm < $\pm 50$ ppm	over -20 ~ +70 °C over -40 ~ +85 °C
Output signal	HCMOS / TTL compatible	
Output voltage	$V_{OH} \geq 0.9$ Vdc	$V_{OL} \leq 0.1$ Vdc
Output load	15 pF (25 pF ~ 50 pF on request)	
Symmetry	45 ~ 55 %	@ $\frac{1}{2}$ Vdc
Rise / Fall time	4 ~ 8 ns	
Frequency pulling range	$\pm 50$ ~ $\pm 200$ ppm	
Voltage control	+1.65 V $\pm 1.35$ V	+2.5 V $\pm 2.0$ V
Jitter (rms)	< 0.5 ps @ 12 kHz ~ 20 MHz from carrier frequency	
Operating temperature range	-20 ~ +70 °C -40 ~ +85 °C	commercial application industrial application
Packaging units	tape & reel tray	500 pieces 50 pieces
(*) All inclusive frequency stability vs. temperature, tolerance, aging, supply & load variation		
Customer specifications on request		



## Pin function

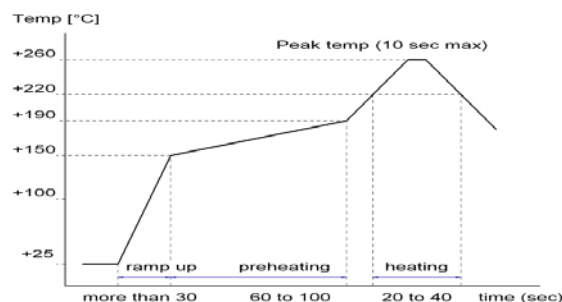
- # 1 Vc Voltage control
- # 7 GND
- # 8 Output
- # 14 Vdc

## Example for solder pattern



Do not design any conductive path between the pattern

## Example for IR reflow soldering temperature



2002/95/EC RoHS compliant