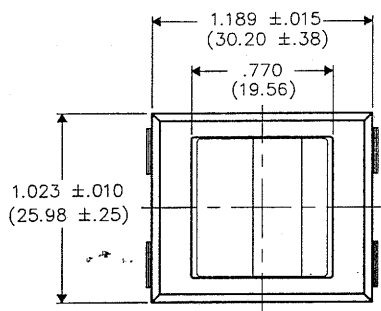


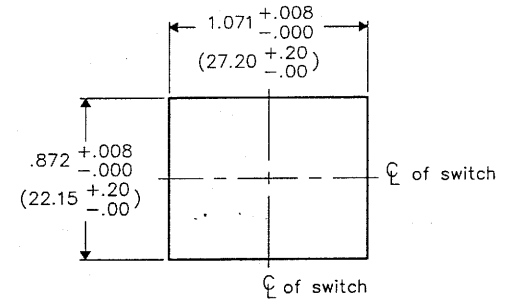
DIMENSIONS IN INCHES (MILLIMETERS)
DO NOT SCALE DRAWING

Dwg. No.
GR-2022-1600

E
D
C
B
A



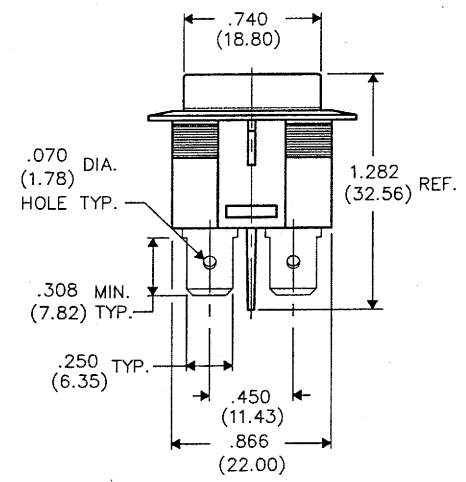
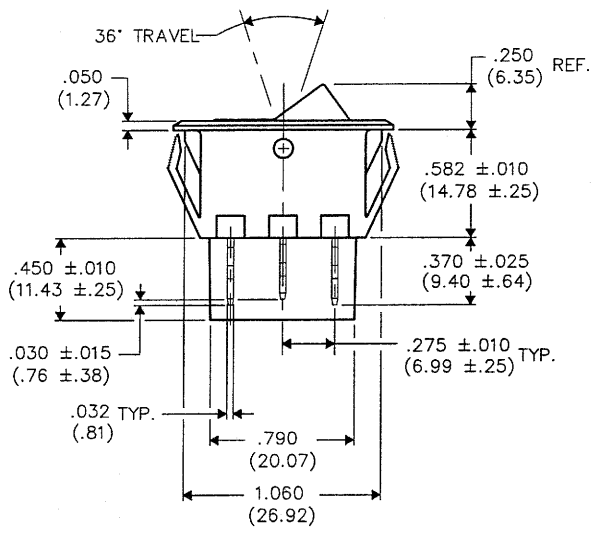
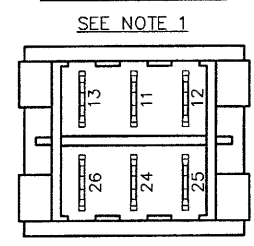
PANEL PIERCING



NOTES:

- 1.) With rocker in position shown, Circuits are completed between terminals 11 and 12 on pole 1, and terminal 24 and 25 on pole 2.

BOTTOM VIEW



1 2 3 4 5 6 7 8 9 10

| | | | | | | | | | | |
|---------|-----------|---|--|--|--|--|--|--|--|--|
| FORM-B4 | REVISIONS | 0 | | | | | | | | |
| | | 1 | | | | | | | | |

CW INDUSTRIES
Southampton, Pa. 18966

TOLERANCES UNLESS OTHERWISE SPECIFIED

| | |
|-----------------------|---------------------|
| 2 Place Decimal ±.010 | METRIC |
| 3 Place Decimal ±.005 | 1 Place Dec. ±.25mm |
| Angles ±1° | 2 Place Dec. ±.13mm |

Made for: CW IND.

Drawn by: DGW 10-26-2006

Checked by: *GGuld 10-26-06*

Approval: *B. P. Ryan 10-30-06*

Title: **POP-IN
ROCKER SWITCH
D.P.- D.T.**

Division: **SWITCH**

Dwg. No. **GR-2022-1600**