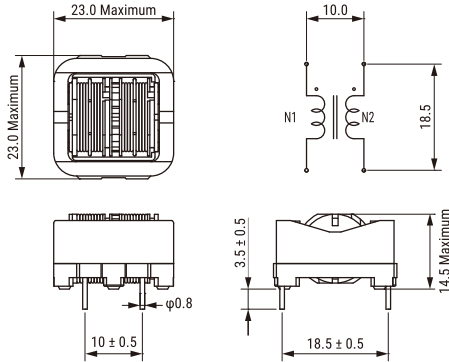


KEMET, SSR21NVS-M/NHS-M, AC Line Filters, Common Mode, 0.12 H



**Dimensions**

<b>L</b>	23mm MAX
<b>T</b>	23mm MAX
<b>H</b>	14.5mm MAX
<b>LL</b>	3.5mm +/-0.5mm
<b>S</b>	18.5mm +/-0.5mm

**Packaging Specifications**

<b>Packaging:</b>	Tray
<b>Packaging Quantity:</b>	420
<b>Weight:</b>	13 g

**General Information**

<b>Series:</b>	SSR21NVS-M/NHS-M
<b>Style:</b>	Through-Hole
<b>Features:</b>	High Performance, High Impedance, Strong Inductance
<b>RoHS:</b>	Yes
<b>Miscellaneous:</b>	60 (K) Temperature Rise Max.

**Specifications**

<b>Voltage AC:</b>	250 VAC
<b>Inductance:</b>	120 mH (10 kHz)
<b>Temperature Range:</b>	-25/+120C
<b>DC Resistance:</b>	1.85 Ohms