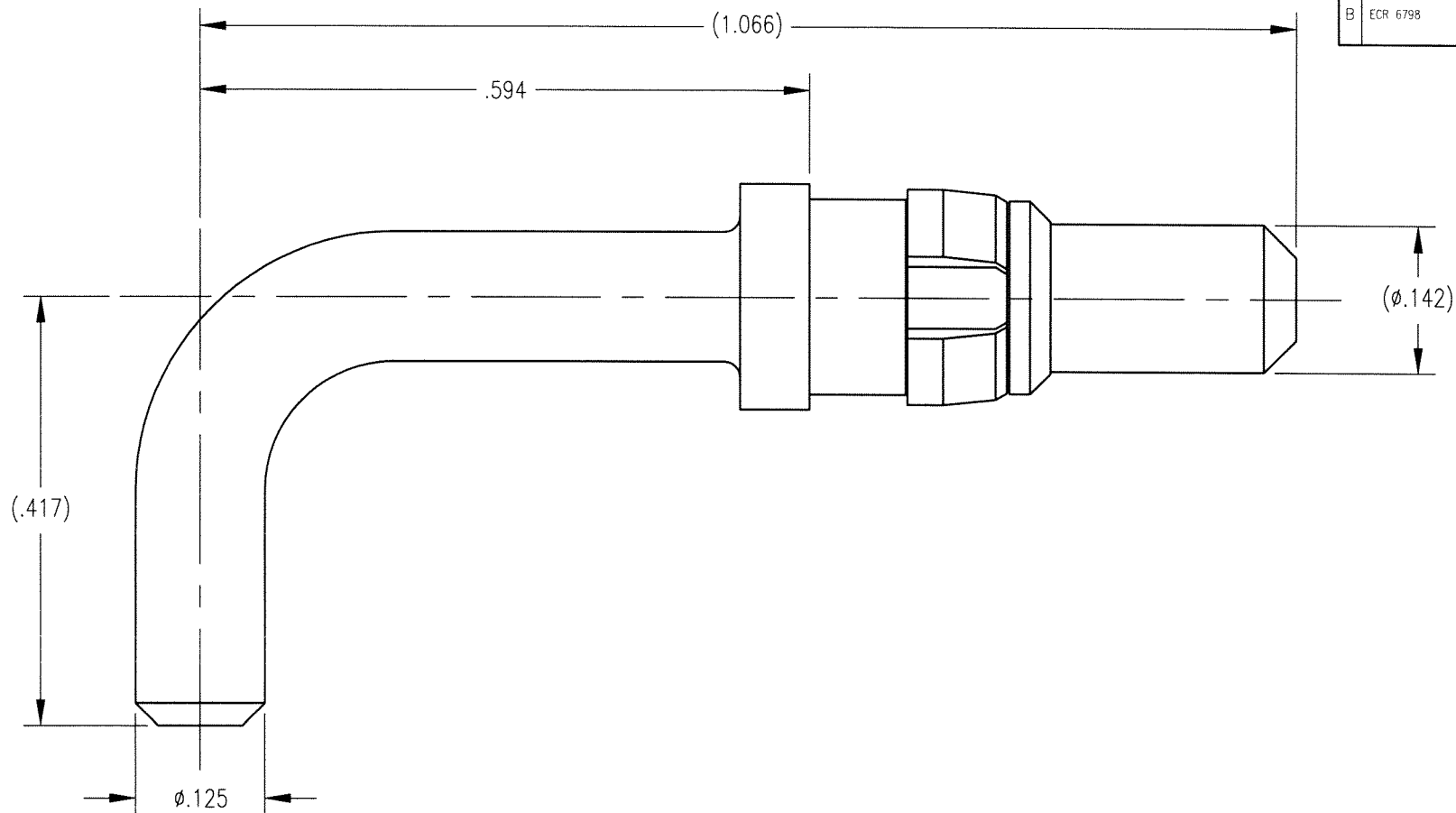


DWG. NO. 222-010-0047G

REV	DESCRIPTION	BY DATE	APPD
B	ECR 6798	5/7/01	[Signature]



NOTES:

1. MATERIALS:
 BODY: BRASS PER ASTM B16
 CLIP RING: BERYLLIUM COPPER PER ASTM B194
2. FINISH:
 BODY: .000030 MIN. GOLD PER MIL-G-45204 OVER
 .000050 MIN. NICKEL PER QQ-N-290
 CLIP RING: .000050 MIN. NICKEL PER QQ-N-290
 OVER COPPER FLASH
3. ELECTRICAL:
 CURRENT RATING: 30/40 AMPS

PER ASME Y14.5M-1994 UNLESS OTHERWISE SPECIFIED: DIMENSIONS ARE IN INCHES (MM)				Litton Winchester/Retconn 400 Park Road Watertown, Connecticut 06795			
TOLERANCES: DECIMALS .xx ± .01/0.254 xxx ± .005/0.127 ANGLES ± 2° SCALE: 6:1				CUSTOMER DRAWING			
DRAWN JCD DATE 3/22/99 CHECKED KJT DATE 3/22/99				TITLE RIGHT ANGLE HIGH POWER PLUG 30/40 AMP			
APPROVED JMC DATE 3/22/99 APPROVED JMC DATE 3/22/99				A 222-010-0047G SHT. 1 OF 1 REV. B			