

## Aluminum Capacitors Radial Long-Life, High Voltage

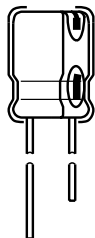
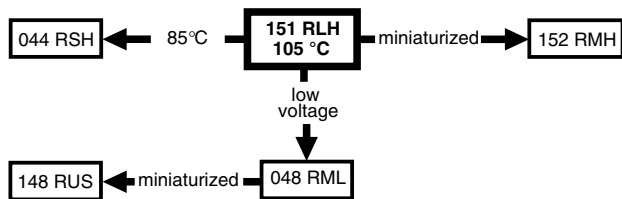


Fig.1 Component outline



QUICK REFERENCE DATA	
DESCRIPTION	VALUE
Nominal case sizes (∅ D x L in mm)	10 x 12 to 18 x 35
Rated capacitance range, C <sub>R</sub>	1 to 220 μF
Tolerance on C <sub>R</sub>	± 20 %
Rated voltage range, U <sub>R</sub>	160 to 450 V
Category temperature range	- 40 to +105 °C
Endurance test at 105 °C	2000 hours
Useful life at 105 °C:	
Case ∅ D = 10 and 12.5 mm	3000 hours
Case ∅ D = 16 and 18 mm	4000 hours
Useful life at 40 °C, 1.6 x I <sub>R</sub> applied:	
Case ∅ D = 10 and 12.5 mm	200 000 hours
Case ∅ D = 16 and 18 mm	260 000 hours
Shelf life at 0 V, 105 °C	500 hours
Based on sectional specification	IEC 60384-4/EN 130300
Climatic category IEC 60068	40/105/56

### FEATURES

- Polarized aluminum electrolytic capacitors, non-solid electrolyte
- Radial leads, cylindrical aluminum case, insulated with a blue vinyl sleeve
- Pressure relief
- Charge and discharge proof
- Long useful life: 3000 to 4000 hours at 105 °C, high reliability
- High rated voltage, up to 450 V
- Lead (Pb)-free versions are RoHS compliant



### APPLICATIONS

- High-reliability and professional applications
- Lighting, monitors, consumer electronics, general industrial
- Filtering of high voltages in power supplies

### MARKING

The capacitors are marked (where possible) with the following information:

- Rated capacitance value (in μF)
- Tolerance on rated capacitance, code letter in accordance with IEC 60062 (M for ± 20 %)
- Rated voltage (in V)
- Date code, in accordance with IEC 60062
- Code indicating factory of origin
- Name of manufacturer
- Upper category temperature (105 °C)
- Negative terminal identification
- Series number (151)

SELECTION CHART FOR C <sub>R</sub> , U <sub>R</sub> AND RELEVANT NOMINAL CASE SIZES (∅ D x L in mm)						
C <sub>R</sub> (μF)	U <sub>R</sub> (V)					
	160	200	250	350	400	450
1.0	-	-	-	-	-	10 x 12
2.2	-	-	-	-	10 x 12	10 x 16
3.3	-	-	-	10 x 12	10 x 16	10 x 20
4.7	-	10 x 12	10 x 12	10 x 16	10 x 20	12.5 x 20
10	10 x 16	10 x 16	10 x 20	12.5 x 20	12.5 x 20	16 x 20
22	10 x 20	10 x 20	12.5 x 25	12.5 x 25	16 x 25	16 x 31
	-	-	16 x 20	16 x 20	18 x 20	18 x 25
33	12.5 x 20	12.5 x 20	12.5 x 25	16 x 25	16 x 31	18 x 35
	-	-	16 x 20	-	18 x 25	-
47	12.5 x 25	12.5 x 25	16 x 25	16 x 35	18 x 31	-
	16 x 20	16 x 20	18 x 20	18 x 31	-	-
100	16 x 25	16 x 31	16 x 31	-	-	-
	18 x 20	18 x 25	18 x 25	-	-	-
220	18 x 35	-	-	-	-	-

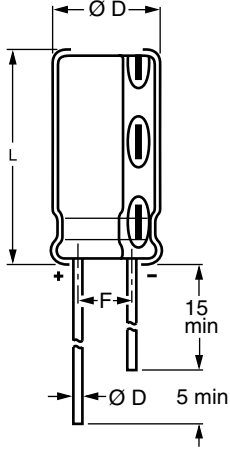
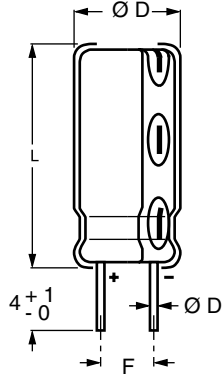
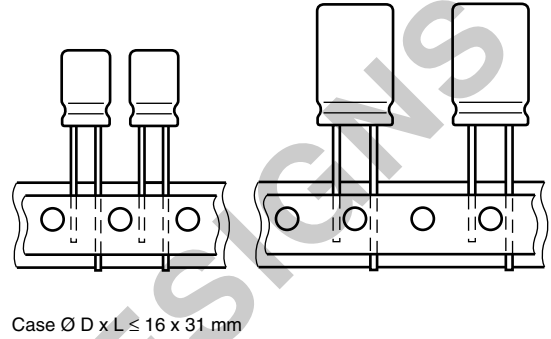
**DIMENSIONS** in millimeters **AND AVAILABLE FORMS**

 Fig.2 **Form CA:** Long leads

 Fig.3 **Form CB:** Cut leads

 Fig.4 **Form TFA:** Taped in box (ammopack)

Table 1

<b>DIMENSIONS</b> in millimeters, <b>MASS AND PACKAGING QUANTITIES</b>									
NOMINAL CASE SIZE Ø D x L	CASE CODE	Ø d	Ø D <sub>max.</sub>	L <sub>max.</sub>	F	MASS (g)	PACKAGING QUANTITIES PER BOX		
							FORM CA	FORM CB	FORM TFA
10 x 12	14	0.6	10.5	13.5	5.0 ± 0.5	≈ 1.6	1000	500	800
10 x 16	15	0.6	10.5	17.5	5.0 ± 0.5	≈ 1.9	500	500	800
10 x 20	16	0.6	10.5	22.0	5.0 ± 0.5	≈ 2.2	500	500	800
12.5 x 20	17	0.6	13.0	22.0	5.0 ± 0.5	≈ 4.0	500	500	500
12.5 x 25	18	0.6	13.0	27.0	5.0 ± 0.5	≈ 5.0	250	250	500
16 x 20	19 a	0.8	16.5	22.0	7.5 ± 0.5	≈ 6.0	250	250	250
16 x 25	19	0.8	16.5	27.0	7.5 ± 0.5	≈ 8.0	250	250	250
16 x 31	20	0.8	16.5	33.5	7.5 ± 0.5	≈ 9.0	100	100	250
16 x 35	21	0.8	16.5	37.5	7.5 ± 0.5	≈ 11.0	100	100	-
18 x 20	1820	0.8	18.5	22.0	7.5 ± 0.5	≈ 8.0	100	100	-
18 x 25	1825	0.8	18.5	27.0	7.5 ± 0.5	≈ 10.0	100	100	-
18 x 31	1831	0.8	18.5	33.5	7.5 ± 0.5	≈ 12.5	100	100	-
18 x 35	22	0.8	18.5	37.5	7.5 ± 0.5	≈ 14.5	100	100	-



ELECTRICAL DATA	
SYMBOL	DESCRIPTION
$C_R$	rated capacitance at 100 Hz, tolerance $\pm 20\%$
$I_R$	rated RMS ripple current at 100 Hz, 105 °C
$I_{L1}$	max. leakage current after 1 minute at $U_R$
$\tan \delta$	max. dissipation factor at 100 Hz
$Z$	max. impedance at 10 kHz

**Note**

Unless otherwise specified, all electrical values in Table 2 apply at  $T_{amb} = 20\text{ °C}$ ,  $P = 86$  to 106 kPa,  $RH = 45$  to 75 %.

Table 2

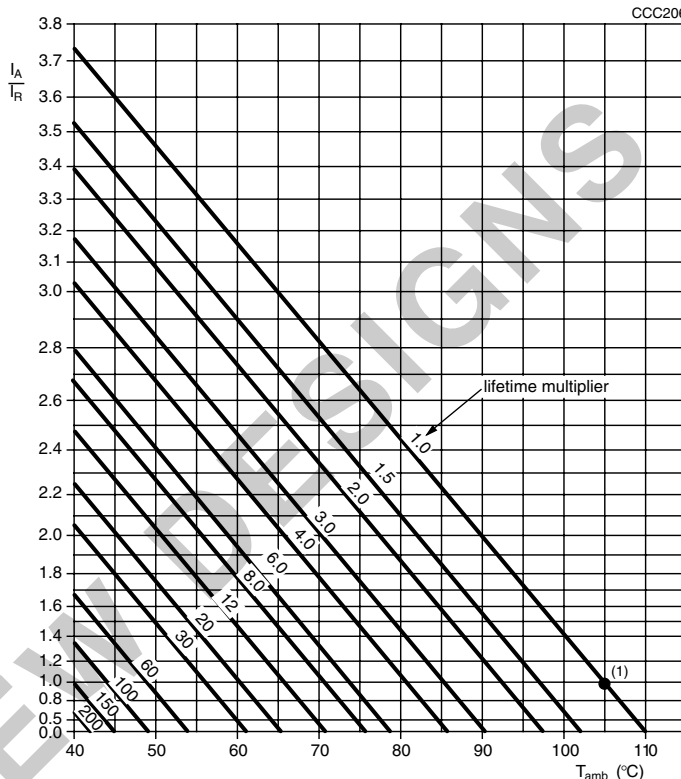
ELECTRICAL DATA AND ORDERING INFORMATION									
$U_R$ (V)	$C_R$ 100 Hz ( $\mu\text{F}$ )	NOMINAL CASE SIZE $\varnothing D \times L$ (mm)	$I_R$ 100 Hz 105 °C (mA)	$I_{L1}$ 1 min ( $\mu\text{A}$ )	$\tan \delta$ 100 Hz	$Z$ 10 kHz ( $\Omega$ )	ORDERING CODE MAL2151.....		
							BULK PACKAGING		TAPED
							FORM CA	FORM CB	FORM TFA
160	10	10 x 16	95	118	0.12	6.3	51109E3	61109E3	31109E3
	22	10 x 20	145	176	0.12	3.2	51229E3	61229E3	31229E3
	33	12.5 x 20	190	228	0.12	2.3	51339E3	61339E3	31339E3
	47	12.5 x 25	280	296	0.12	1.7	51479E3	61479E3	31479E3
	47	16 x 20	280	296	0.12	1.7	91475E3	91476E3	91473E3
	100	16 x 25	380	550	0.12	1.1	51101E3	61101E3	31101E3
	100	18 x 20	380	550	0.12	1.1	91105E3	91106E3	-
	220	18 x 35	630	1126	0.12	0.8	51221E3	61221E3	-
200	4.7	10 x 12	60	96	0.12	13.0	52478E3	62478E3	32478E3
	10	10 x 16	95	130	0.12	6.3	52109E3	62109E3	32109E3
	22	10 x 20	145	202	0.12	3.2	52229E3	62229E3	32229E3
	33	12.5 x 20	190	268	0.12	2.3	52339E3	62339E3	32339E3
	47	12.5 x 25	280	352	0.12	1.7	52479E3	62479E3	32479E3
	47	16 x 20	280	352	0.12	1.7	92475E3	92476E3	92473E3
	100	16 x 31	410	670	0.12	1.1	52101E3	62101E3	32101E3
	100	18 x 25	410	670	0.12	1.1	92105E3	92106E3	-
250	4.7	10 x 12	60	105	0.12	13.0	53478E3	63478E3	33478E3
	10	10 x 20	105	145	0.12	6.3	53109E3	63109E3	33109E3
	22	12.5 x 25	180	235	0.12	3.2	53229E3	63229E3	33229E3
	22	16 x 20	180	235	0.12	3.2	93225E3	93226E3	93223E3
	33	12.5 x 25	250	318	0.12	2.3	53339E3	63339E3	33339E3
	33	16 x 20	250	318	0.12	2.3	93335E3	93336E3	93333E3
	47	16 x 25	300	423	0.12	1.7	53479E3	63479E3	33479E3
	47	18 x 20	300	423	0.12	1.7	93475E3	93476E3	-
	100	16 x 31	410	820	0.12	1.1	53101E3	63101E3	33101E3
	100	18 x 25	410	820	0.12	1.1	93105E3	93106E3	-



ELECTRICAL DATA AND ORDERING INFORMATION									
U <sub>R</sub> (V)	C <sub>R</sub> 100 Hz (μF)	NOMINAL CASE SIZE Ø D x L (mm)	I <sub>R</sub> 100 Hz 105 °C (mA)	I <sub>L1</sub> 1 min (μA)	Tan δ 100 Hz	Z 10 kHz (Ω)	ORDERING CODE MAL2151.....		
							BULK PACKAGING		TAPED
							FORM CA	FORM CB	FORM TFA
350	3.3	10 x 12	50	105	0.15	22.0	55338E3	65338E3	35338E3
	4.7	10 x 16	65	119	0.15	16.0	55478E3	65478E3	35478E3
	10	12.5 x 20	120	175	0.15	7.6	55109E3	65109E3	35109E3
	22	12.5 x 25	180	301	0.15	3.8	55229E3	65229E3	35229E3
	22	16 x 20	180	301	0.15	3.8	95225E3	95226E3	95223E3
	33	16 x 25	210	417	0.15	2.6	55339E3	65339E3	35339E3
	47	16 x 35	300	564	0.15	2.0	55479E3	65479E3	-
	47	18 x 31	300	564	0.15	2.0	95475E3	95476E3	-
400	2.2	10 x 12	40	93	0.15	33.0	56228E3	66228E3	36228E3
	3.3	10 x 16	50	110	0.15	22.0	56338E3	66338E3	36338E3
	4.7	10 x 20	70	126	0.15	16.0	56478E3	66478E3	36478E3
	10	12.5 x 20	120	190	0.15	7.6	56109E3	66109E3	36109E3
	22	16 x 25	200	334	0.15	3.8	56229E3	66229E3	36229E3
	22	18 x 20	200	334	0.15	3.8	96225E3	96226E3	-
	33	16 x 31	245	466	0.15	2.6	56339E3	66339E3	36339E3
	33	18 x 25	245	466	0.15	2.6	96335E3	96336E3	-
47	18 x 31	300	634	0.15	2.0	56479E3	66479E3	-	
450	1.0	10 x 12	30	67	0.2	94.0	57108E3	67108E3	37108E3
	2.2	10 x 16	45	99	0.2	43.0	57228E3	67228E3	37228E3
	3.3	10 x 20	65	115	0.2	29.0	57338E3	67338E3	37338E3
	4.7	12.5 x 20	80	133	0.2	20.0	57478E3	67478E3	37478E3
	10	16 x 20	140	205	0.2	10.0	57109E3	67109E3	37109E3
	22	16 x 31	220	367	0.2	4.6	57229E3	67229E3	37229E3
	22	18 x 25	220	367	0.2	4.6	97225E3	97226E3	-
	33	18 x 35	280	516	0.2	3.4	57339E3	67339E3	-

ADDITIONAL ELECTRICAL DATA		
PARAMETER	CONDITIONS	VALUE
<b>Voltage</b>		
Surge voltage	IEC 60384-4, subclause 4.14: U <sub>R</sub> = 160 to 250 V U <sub>R</sub> = 350 to 400 V	U <sub>s</sub> ≤ 1.15 x U <sub>R</sub> U <sub>s</sub> ≤ 1.10 x U <sub>R</sub>
Reverse voltage	IEC 60384-4, subclause 4.15	U <sub>rev</sub> ≤ 1 V
<b>Current</b>		
Leakage current	after 1 minute at U <sub>R</sub> : CV ≤ 1000 μC CV > 1000 μC	I <sub>L1</sub> ≤ 0.06 C <sub>R</sub> x U <sub>R</sub> + 40 μA I <sub>L1</sub> ≤ 0.03 C <sub>R</sub> x U <sub>R</sub> + 70 μA
	after 5 minutes at U <sub>R</sub> : CV ≤ 1000 μC CV > 1000 μC	I <sub>L5</sub> ≤ 0.03 C <sub>R</sub> x U <sub>R</sub> + 15 μA I <sub>L5</sub> ≤ 0.015 C <sub>R</sub> x U <sub>R</sub> + 30 μA
<b>Inductance</b>		
Equivalent series inductance (ESL)	case Ø D = 10 mm	typ. 16 nH
	case Ø D ≥ 12.5 mm	typ. 18 nH
<b>Resistance</b>		
Equivalent series resistance (ESR)	calculated from tan δ <sub>max.</sub> and C <sub>R</sub> (see Table 2)	ESR = tan δ/2 π f C <sub>R</sub>

**RIPPLE CURRENT AND USEFUL LIFE**



$I_A$  = actual ripple current at 100 Hz  
 $I_R$  = rated ripple current at 100 Hz, 105 °C  
 useful life at 105 °C in  $I_R$  applied  
 case Ø D = 10 and 12.5 mm: 3000 h  
 case Ø D = 16 and 18 mm: 4000 h

Fig. 3 Multiplier of useful life as a function of ambient temperature and ripple current load

Table 3

MULTIPLIER OF RIPPLE CURRENT ( $I_R$ ) AS A FUNCTION OF FREQUENCY	
FREQUENCY (Hz)	$I_R$ MULTIPLIER
50	0.75
100	1.00
300	1.20
1000	1.35
3000	1.45
≥10 000	1.50

Table 4

TEST PROCEDURES AND REQUIREMENTS			
TEST		PROCEDURE (quick reference)	REQUIREMENTS
NAME OF TEST	REFERENCE		
Endurance	IEC 60384-4/ EN130300 subclause 4.15	$T_{amb} = 105\text{ °C}$ ; $U_R$ applied; 2000 hours	$\Delta C/C: \pm 20\%$ $\tan \delta \leq 2 \times \text{spec. limit}$ $Z \leq 2 \times \text{spec. limit}$ $I_{L5} \leq \text{spec. limit}$
Useful life	CECC 30301 subclause 1.8.1	$T_{amb} = 105\text{ °C}$ ; $U_R$ and $I_R$ applied; case Ø D = 10 and 12.5 mm: 3000 hours; case Ø D = 16 and 18 mm: 4000 hours	$\Delta C/C: \pm 50\%$ $\tan \delta \leq 3 \times \text{spec. limit}$ $Z \leq 3 \times \text{spec. limit}$ $I_{L5} \leq \text{spec. limit}$ no short or open circuit total failure percentage: $\leq 1\%$
Shelf life (storage at high temperature)	IEC 60384-4/ EN130300 subclause 4.17	$T_{amb} = 105\text{ °C}$ ; no voltage applied; 500 hours after test: $U_R$ to be applied for 30 minutes, 24 to 48 hours before measurement	$\Delta C/C: \pm 20\%$ $\tan \delta \leq 2 \times \text{spec. limit}$ $Z \leq 2 \times \text{spec. limit}$ $I_{L5} \leq 2 \times \text{spec. limit}$



## Disclaimer

All product specifications and data are subject to change without notice.

Vishay Intertechnology, Inc., its affiliates, agents, and employees, and all persons acting on its or their behalf (collectively, "Vishay"), disclaim any and all liability for any errors, inaccuracies or incompleteness contained herein or in any other disclosure relating to any product.

Vishay disclaims any and all liability arising out of the use or application of any product described herein or of any information provided herein to the maximum extent permitted by law. The product specifications do not expand or otherwise modify Vishay's terms and conditions of purchase, including but not limited to the warranty expressed therein, which apply to these products.

No license, express or implied, by estoppel or otherwise, to any intellectual property rights is granted by this document or by any conduct of Vishay.

The products shown herein are not designed for use in medical, life-saving, or life-sustaining applications unless otherwise expressly indicated. Customers using or selling Vishay products not expressly indicated for use in such applications do so entirely at their own risk and agree to fully indemnify Vishay for any damages arising or resulting from such use or sale. Please contact authorized Vishay personnel to obtain written terms and conditions regarding products designed for such applications.

Product names and markings noted herein may be trademarks of their respective owners.