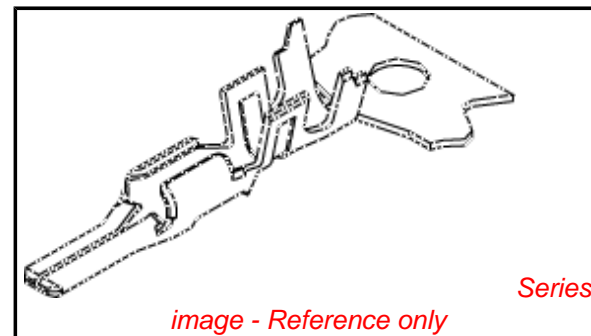


PLEASE CHECK WWW.MOLEX.COM FOR LATEST PART INFORMATION

Part Number: [0501478000](#)
Status: **Active**
Overview: [splash_proof](#)
Description: Splash Proof Crimp Terminal 50147, Reel

Documents:

3D Model	Product Specification PS-52213-002 (PDF)
Drawing (PDF)	RoHS Certificate of Compliance (PDF)
Product Specification PS-52213-001 (PDF)	



General

Product Family	Crimp Terminals
Series	50147
Crimp Quality Equipment	Yes
Overview	splash_proof
Product Name	Splash Proof

Physical

Gender	Male
Material - Metal	Phosphor Bronze
Material - Plating Mating	Tin
Material - Plating Termination	Tin
Packaging Type	Reel
Termination Interface: Style	Crimp or Compression
Wire Insulation Diameter	1.40-1.70mm (.055-.067")
Wire Size AWG	20, 22
Wire Size mm ²	N/A

Material Info

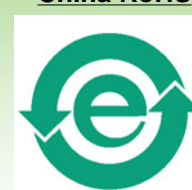
Reference - Drawing Numbers

Product Specification	PS-52213-001, PS-52213-002, RPS-501202-001, RPS-52266-001
Sales Drawing	SD-50147-8*00

EU RoHS

ELV and RoHS Compliant
REACH SVHC Contains SVHC: No
Halogen-Free Status
Halogen-Free

China RoHS



Need more information on product environmental compliance?

Email productcompliance@molex.com
 For a multiple part number RoHS Certificate of Compliance, [click here](#)

Please visit the [Contact Us](#) section for any non-product compliance questions.

Search Parts in this Series

50147Series

Application Tooling | FAQ

Tooling specifications and manuals are found by selecting the products below. Crimp Height Specifications are then contained in the Application Tooling Specification document.

Global

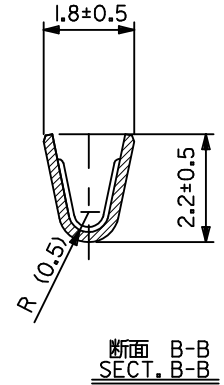
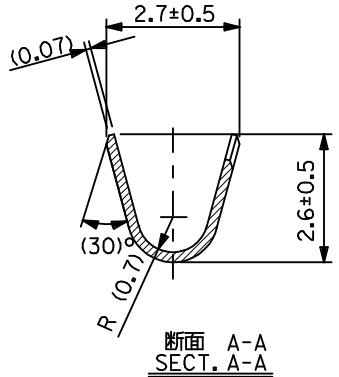
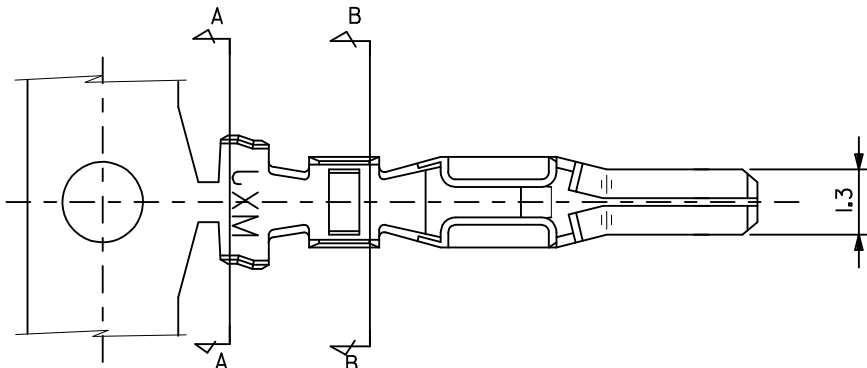
Description	Product #
T2 Terminator Die	0638517100
FineAdjust™ Applicator	0638617100
Extraction Tool	0638132700
Hand Crimp Tool	0638118600

Japan

Description	Product #
Applicator for M21 1A Bench Press, for 50147 and 50148 Crimp Terminal	0571443000

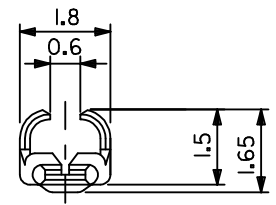
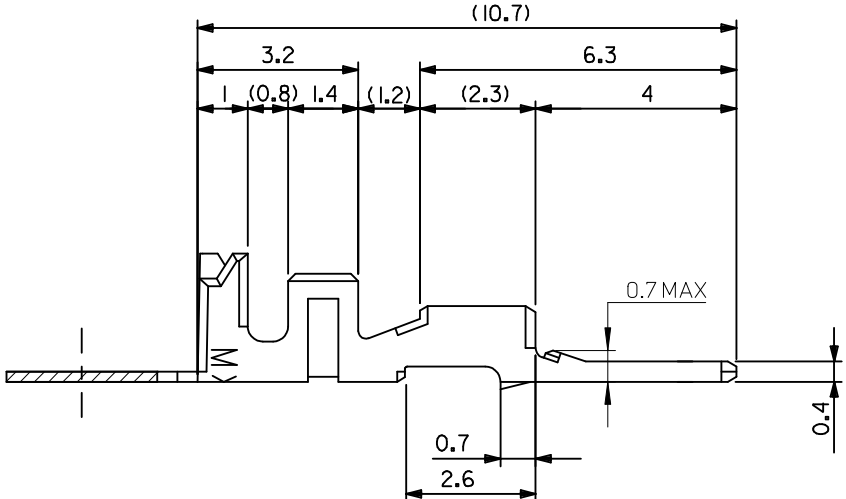
PLEASE CHECK WWW.MOLEX.COM FOR LATEST PART INFORMATION

10 9 8 7 6 5 4 3 2 1



注記
NOTES

1. 適合ハウジング アッセンブリ; 52266-***
APPLICABLE HS'G ASS'Y; 52266-***
2. 嵌合相手; 50148-8*00
MATES WITH; 50148-8*00



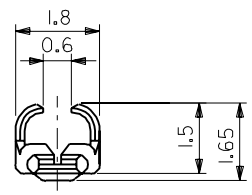
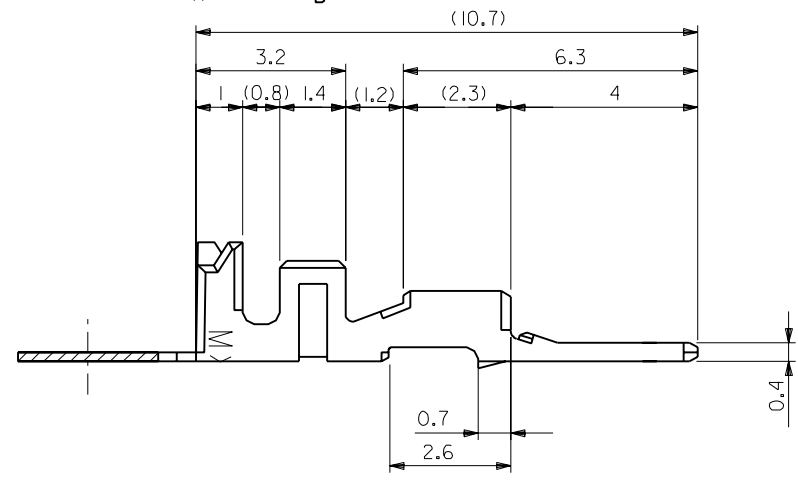
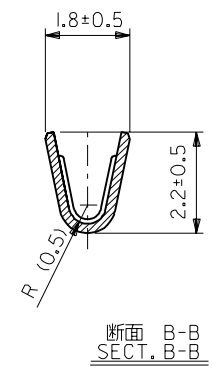
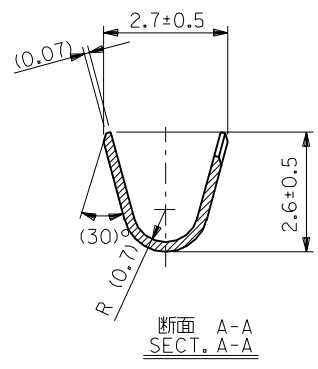
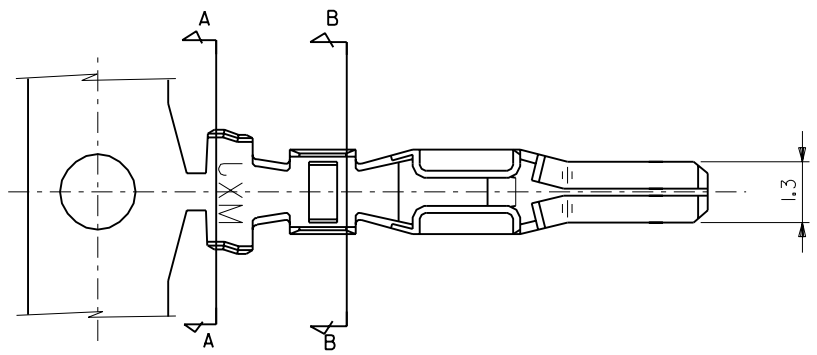
50147-8100	バラ状 LOOSE
50147-8000	連鎖状 CHAIN
製品番号 ENG.NO.	端子形状 FORM

材料 MATERIAL	リン青銅 錫メッキ(±0.2) PHOSPHOR BRONZE TIN PLATING(±0.2)
適用電線範囲 WIRE RANGE	AVSS-0.3 AVSS-0.5 CAVS-0.3 CAVS-0.5
被覆外径 INS. RANGE	φ1.4-1.7

REVISED & REDRAWN EC NO: JTR2010-0004 DRM: NISHIBATA 2009/07/28 CHKD: TAITO 2009/07/28 APPR: MAYAMOTO 2009/07/28	GENERAL TOLERANCES (UNLESS SPECIFIED)	DIMENSION STYLE MM ONLY	SCALE 10:1	DESIGN UNITS METRIC	THIRD ANGLE PROJECTION
	10 UNDER ±0.3	DRAWN BY M. SANO	DATE 1991/7/17	TITLE 2.5 MINI SPLASH PROOF CONN. CRIMP PIN.	
	10 OVER 30 UNDER ±0.25	CHECKED BY M. SAKANO	DATE 1992/8/6	MOLEX INCORPORATED	
	30 OVER ±0.2	APPROVED BY M. ENOMOTO	DATE 1992/8/6	DOCUMENT NO. SD-50147-8*00	SHEET NO. 1 OF 1
ANGULAR ±3° DRAFT WHERE APPLICABLE MUST REMAIN WITHIN DIMENSIONS	SEE CHART	THIS DRAWING CONTAINS INFORMATION THAT IS PROPRIETARY TO MOLEX INCORPORATED AND SHOULD NOT BE USED WITHOUT WRITTEN PERMISSION			

DIMENSIONS IN METRIC DO NOT SCALE DRAWING

EDP NO. ENG. NO. SD-50147-8*00



- 注記
NOTES
1. 適合ハウジング アッセンブリ; 52266-*** |
APPLICABLE HS'G ASS'Y; 52266-*** |
 2. 嵌合相手; 50148-8*00
MATES WITH; 50148-8*00

50147-8100	バラ状 LOOSE
50147-8000	連鎖状 CHAIN
製品番号 ENG.No.	端子形状 FORM

角度 ANGLE ±3° 30以上 OVER +0.3 10以上 30未満 UNDER +0.25 10未満 UNDER +0.2 一般公差 GENERAL TOLERANCES		材料 MATERIAL J1ン青銅 錫メッキ (t=0.2) PHOSPHOR BRONZE TIN PLATING (t=0.2) 仕上げ FINISH 適用電線範囲 WIRE RANGE AVSS-0.3 AVSS-0.5 CAVS-0.3 CAVS-0.5 被覆外径 INS. RANGE 被覆径 Ø 1.4-1.7 日付 DATE 9/18/20 尺度 SCALE 10-1		MOLEX JAPAN CO., LTD. 日本モレックス株式会社 EDP. NO. ENG. NO. SD-50147-8*00 REV A	
変更 REVIS (J20708) 新規作成 PROPOSED (J10601) 変更内容 REVISION RECORD 記号 LTR DR. CHK. DATE		92/8/6 9/18/20 '92/8/6 '92/8/6		TITLE 名称 2.5 MINI SPLASH PROOF CONN. CRIMP PIN.	
REVISE ONLY ON CAD SYSTEM					

THIS DRAWING CONTAINS INFORMATION THAT IS PROPRIETARY TO MOLEX(JAPAN) AND SHOULD NOT BE USED WITHOUT WRITTEN PERMISSION
 本図面は日本モレックス(株)の所有する情報を含むもので 当社の許可なく複製を禁止する。

MXJ-8

50147-8*00