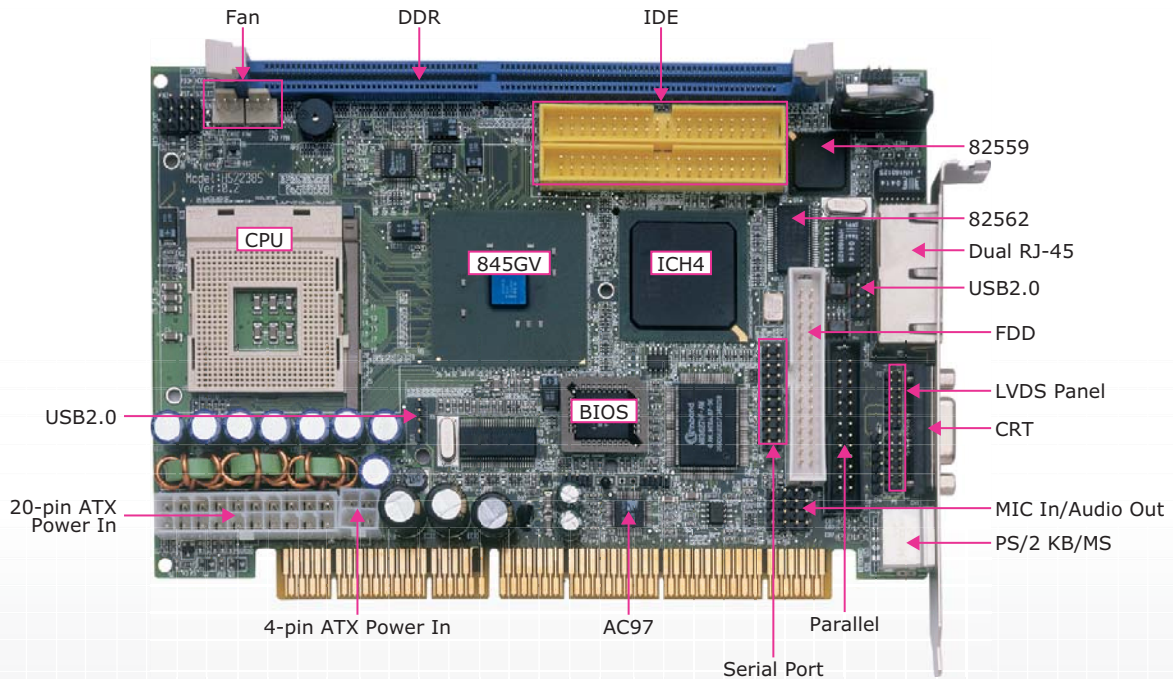


HS-7238S

Intel® Pentium® 4 processor PCI-ISA Bus SBC with CRT/LVDS, Dual LAN, Wireless LAN, Audio, USB2.0

Single Board Computer

PCI-ISA Bus SBC



- Mini PCI
- Audio
- WDT
- CRT/LVDS
- ATA/33/66/100
- H/W Monitor
- Dual LAN
- USB2.0

FEATURES

- ▶ Intel® Pentium® 4 processor 2.0A~2.6GHz
- ▶ Supports 533/400MHz FSB
- ▶ One DDR socket with a max. capacity of 1GB
- ▶ Intel® 845GV GMCH/ICH4 chipset
- ▶ Winbond W83627, ITE IT8888 super I/O chipset
- ▶ Intel® 845GV graphics controller
- ▶ 18-bit/36-bit LVDS Panel display interface
- ▶ Intel® 82559 & 82562 dual Ethernet controller
- ▶ AC97 3D audio controller
- ▶ Fast PCI ATA/33/66/100 IDE controller
- ▶ 2 COM, 3 USB2.0
- ▶ Hardware Monitor function
- ▶ Wireless LAN module (optional)

ORDERING GUIDE

- ▶ **HS-7238S**
Intel® Pentium® 4 processor SBC w/CRT/LVDS, Dual LAN, Audio, USB2.0

SPECIFICATIONS

- ***CPU:** Intel® Pentium® 4 processor 2.0A~2.6GHz
- ***Bus Interface:** PCI-ISA Bus (no 3.3V output through goldfinger)
- ***Front Side Bus:** 533/400MHz FSB
- ***Memory:** One DDR socket supporting up to 1GB
- ***Chipset:** Intel® 845GV GMCH/ICH4
- ***I/O Chipset:** Winbond W83627, ITE IT8888
- ***PCI Slot:** One, Type I mini PCI slot
- ***VGA:** Intel® 845GV with 1MB/8MB shared main memory supporting CRT display up to 1920 x 1200 at 32-bit colors
- ***LVDS Panel:** Supports 18-bit single/36-bit dual channel LVDS interface
- ***Ethernet:** Intel® 82559 and 82562 dual 10/100 Based LAN
- ***Wireless LAN:** Provides wireless LAN module (optional)
- ***Audio:** AC97 3D audio controller
- ***IDE:** Two 2.54-pitch 40-pin IDE connectors
- ***FDD:** Supports up to two floppy disk drives
- ***Parallel:** One enhanced bi-directional parallel port supporting SPP/ECP/EPP
- ***Serial Port:** 16C550 UART-compatible RS-232 x 2 serial ports with 16-byte FIFO
- ***USB:** 3 internal USB2.0 ports
- ***Keyboard/Mouse:** PS/2 6-pin Mini DIN
- ***BIOS:** Award PnP Flash BIOS
- ***Watchdog Timer:** Software programmable time-out intervals from 1~255 sec.
- ***CMOS:** Battery backup
- ***Temperature:** 0~+60°C (operating)
- ***Hardware Monitor:** Winbond W83627
- ***Dimensions:** 18.6(L) x 12.2(W) cm