

# 19" 8.5U Rugged Rack Mount display Monitor

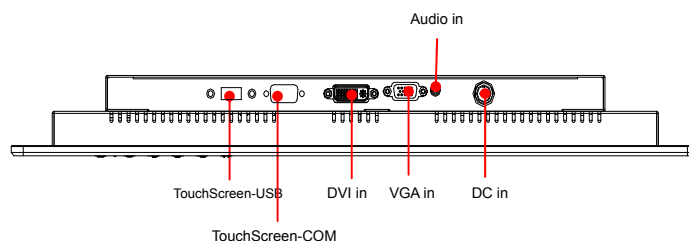
RPM-19

## Features

- Compact 19" rack mount display monitor with 8.5U height
- 19" SXGA TFT LCD Panel support 1280×1024 pixels
- 6mm Aluminum front bezel with Hardness Glass protect screen (Touch option)
- Rugged construction and modularized design
- Input signal : VGA + DVI + AUDIO
- 300 cd/m2 brightness
- OSD control keys to optimize the display
- AC 100-240V wide range external ac adapter
- NEMA4 / IP 65 compliant front panel
- Build in 2x2 watts stereo speaker
- Meet standard VESA hole ( 100x100 mm ), support desk top stand / wall mount/ swing arm mounting



## Design Drawings



## Specifications

### TFT characteristics

Display Type : 19" SXGA TFT LCD  
Resolution : 1280 × 1024  
Max.color : 16.7M  
Luminance : 300 cd/m2  
View Angle : 160° (H) , 160° (V)  
Pixel Pitch : 0.294 x 0.294 mm  
Contrast Ratio : 1000 : 1  
Response Time : 5 ms  
LCD MTBF : 50,000hrs

### Mechanical and Environmental

Construction : Heavy duty steel and aluminum front panel  
Dimensions (WxHxD) : 482.6 x 375 x 47 mm  
Weight : Net: 9.0kg , Gross:11.5 kg  
Operating temperature : 0 °C to 50 °C  
Storage temperature : -20 °C to 60 °C  
Storage humidity : 10% to 90% non-condensing  
Anti-Vibration : 17HZ-500 HZ 1G PTP  
Anti-Shock : 1G / peak( 11m sec)

### Available Options

Touch Screen : Resistive Type with USB and RS232 controller  
DC Power Input : wide Range 8~30v DC input

### Input Signals

RGB Signal : D-SUB 15P Connector (female)  
DC input : Aviation 2pin Plug  
DVI-D Signal : DVI-D input 24pin connector (female)  
Touch screen RS232 (option) : D-SUB 9p connector (female)  
Touch screen USB (option) : USB-A type connector (female)

### Power Specifications

Input: 100~240VAC,50/60Hz  
Output: DC12V@ 5A / 60W ,external ac adapter

# 19" 8.5U Rugged Rack Mount display Monitor

RPM-19

## Certification and Approvals

• CE/FCC/ROHS

## Ordering Information

VGA + DVI input

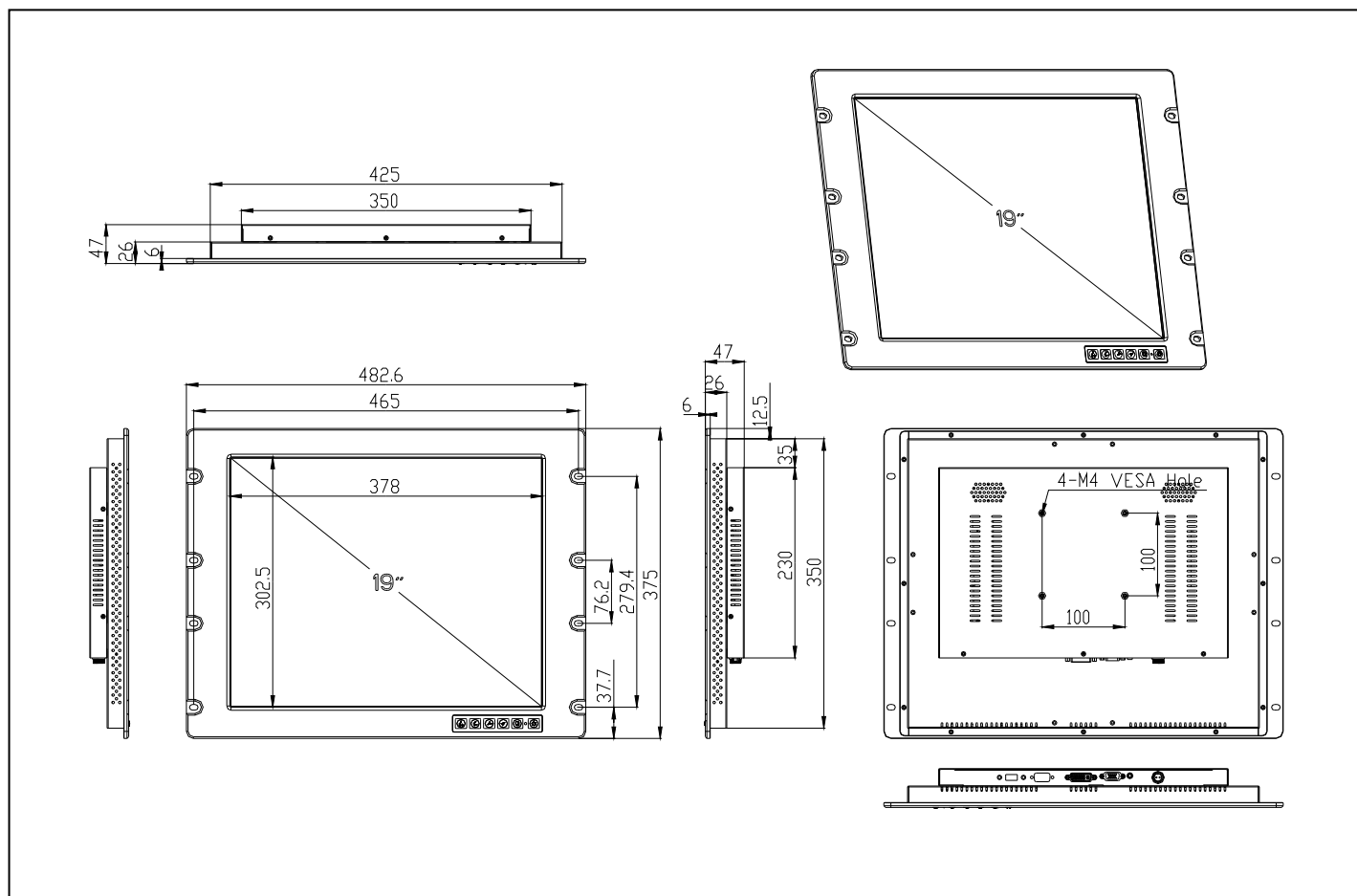
RPM-19 : 19" Rugged rack Mount display Monitor with VGA + DVI + Audio input

RPM-19T/C : 19" Rugged rack Mount display Monitor with VGA + DVI + Audio input, with touch screen and RS232 controller

RPM-19T/U : 19" Rugged rack Mount display Monitor with VGA + DVI + Audio input, with touch screen and USB controller

## Design Drawings

Unit : mm



All specifications are subject to change without prior notice