

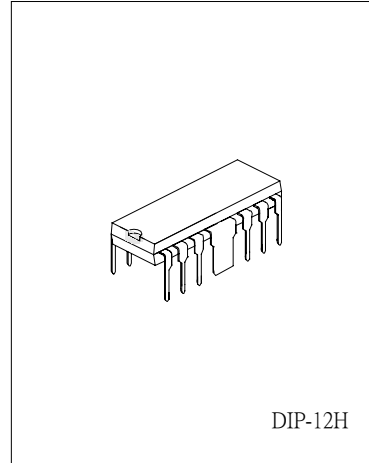
2.5W DUAL AUDIO POWER AMP

DESCRIPTION

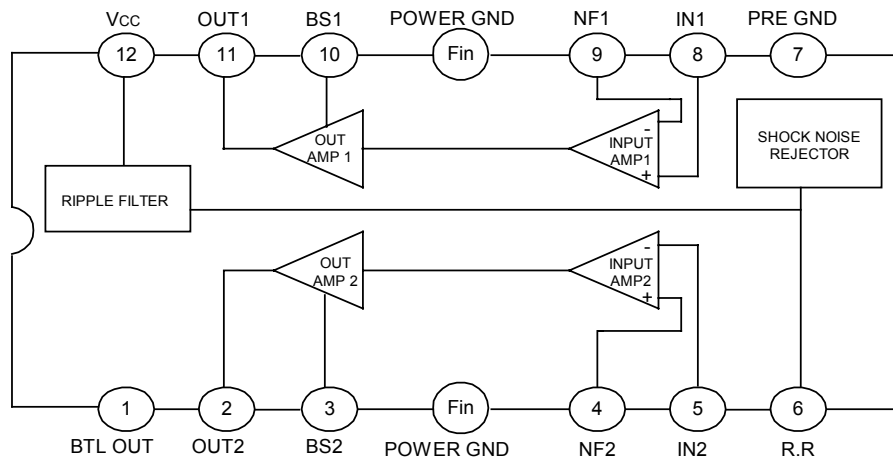
The 2206 is a monolithic integrated circuit consisting of a 2-channel power amplifier. It is suitable for stereo and bridge amplifier application of radio cassette tape recorders.

FEATURES

- *High output power
Stero: $P_o=2.3W$ (Typ) at $V_{cc}=9V, R_L=4\Omega$.
Bridge: $P_o=4.7W$ (Typ) at $V_{cc}=9V, R_L=8\Omega$.
- *Low switching distortion at high frequency.
- *Small shock noise at the time of power on/off due to a built-in muting circuit
- *Good ripple rejection due to a built-in ripple filter.
- *Good channel separation.
- *Closed loop voltage gain fixed 45dB(Bridge:51dB) but availability with external resistor added.
- *Minimum number of external parts required.
- *Easy to design radiator fin.



BLOCK DIAGRAM



ABSOLUTE MAXIMUM RATINGS (Ta=25°C)

CHARACTERISTICS	SYMBOL	RATING	UNIT
Supply Voltage	Vcc	15	V
Power Dissipation	P _o	4 *	W
Operating Temperature	TOPR	-20~+70	°C
Storage Temperature	TSTG	-40~+150	°C

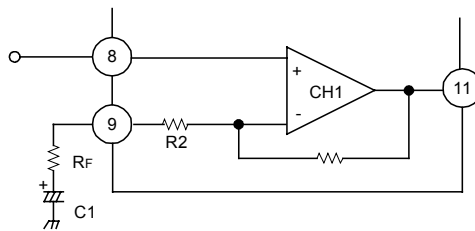
*Fin is soldering on the PCB

ELECTRICAL CHARACTERISTICS (Ta=25°C, Vcc=9V, f=1KHz RG=600Ω, unless otherwise specified)

CHARACTERISTICS	SYMBOL	TEST CONDITION	MIN	TYP	MAX	UNIT	
Operating Supply Voltage	Vcc			9	11	V	
Quiescent Circuit Current	IccQ	Vi=0, Stereo		40	55	mA	
Closed Loop Voltage Gain	GVC	Stereo	Vi=-45dBm	43	45	47	dB
		Bridge		49	51	53	
Output Power	Po	Stereo	RL=4Ω, THD=10%	1.7	2.3		W
			RL=8Ω, THD=10%		1.3		W
		Bridge	RL=8Ω, THD=10%		4.7		W
Channel Balance	CB	Stereo	-1	0	1	dB	
Total Harmonic Distortion	THD	Stereo	Ro=250mW, RL=4Ω		0.3	1.5	%
		Bridge			0.5		%
Input Resistance	RI		21	30		KΩ	
Ripple Rejection Ratio	RR	Stereo, RG=0Ω, Vr=150mW, f=100Hz	40	46		dB	
Output Noise Voltage	VNO	Stereo, RG=0Ω		0.3	1.0	mW	
		Stereo, RG=10KΩ		0.5	2.0	mV	
Cross Talk	CT	Stereo, RG=10KΩ, Vo=0dBm	40	55		dB	

APPLICATION INFORMATION

1. Stereo application



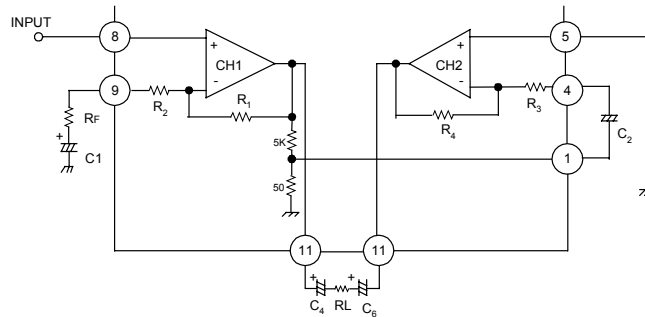
- i) Fixed voltage gain
(Pin 9 connected to GND directly)

$$Gv = 20 \log \frac{R1}{R2} \text{ (dB)}$$

- ii) Variable voltage gain
(Rf and C1 connected with pin 9)

$$Gv = 20 \log \frac{R1}{R2 + RF} \text{ (dB)}$$

2. Bridge application



i) Fixed voltage gain (Pin 9 connected to GND directly)

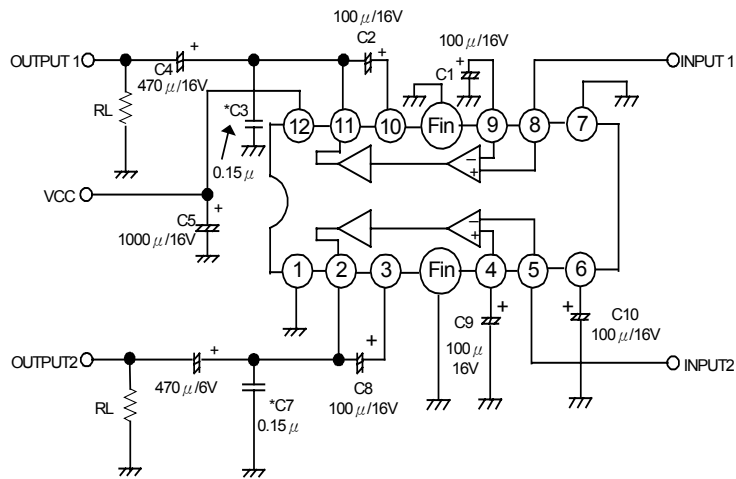
$$Gv = 20 \log \frac{R1}{R2} + 6(\text{dB})$$

ii) Variable voltage gain Rf and $C1$ connected with pin 9)

$$Gv = 20 \log \frac{R1}{R2 + Rf} + 6(\text{dB})$$

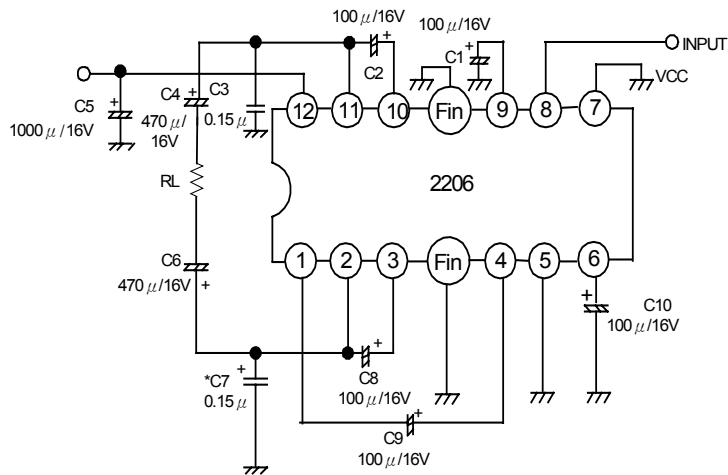
APPLICATION CIRCUIT

1. Stereo Amplifier



*polyester film capacitor

2. Bridge Amplifier



*polyester film capacitor

UTC assumes no responsibility for equipment failures that result from using products at values that exceed, even momentarily, rated values (such as maximum ratings, operating condition ranges, or other parameters) listed in products specifications of any and all UTC products described or contained herein. UTC products are not designed for use in life support appliances, devices or systems where malfunction of these products can be reasonably expected to result in personal injury. Reproduction in whole or in part is prohibited without the prior written consent of the copyright owner. The information presented in this document does not form part of any quotation or contract, is believed to be accurate and reliable and may be changed without notice.