

PLEASE CHECK WWW.MOLEX.COM FOR LATEST PART INFORMATION

Part Number: [0878320824](#)
Status: **Active**
Overview: milligrd
Description: 2.00mm (.079") Pitch Milli-Grid™ Header, Surface Mount, Vertical, Shrouded, Lead-free, 8 Circuits, 0.38µm (15µ") Gold (Au) Plating, without PCB Locator, with Locking Window, without Pick-and-Place Cap, Tube

Documents:

[3D Model](#) [Product Specification PS-87831-027 \(PDF\)](#)
[Drawing \(PDF\)](#) [RoHS Certificate of Compliance \(PDF\)](#)

Agency Certification

CSA LR19980
 UL E29179

General

Product Family PCB Headers
 Series [87832](#)
 Application Wire-to-Board
 Comments Contact Molex for application in automotive industry
 Overview [milligrd](#)
 Product Name Milli-Grid™

Physical

Breakaway No
 Circuits (Loaded) 8
 Circuits (maximum) 8
 Color - Resin Black
 First Mate / Last Break No
 Flammability 94V-0
 Glow-Wire Compliant No
 Guide to Mating Part No
 Keying to Mating Part Yes
 Lock to Mating Part Yes
 Material - Metal Phosphor Bronze
 Material - Plating Mating Gold
 Material - Plating Termination Tin
 Material - Resin Nylon
 Number of Rows 2
 Orientation Vertical
 PCB Locator No
 PCB Retention None
 Packaging Type Tube
 Pitch - Mating Interface (in) 0.079 In
 Pitch - Mating Interface (mm) 2.00 mm
 Pitch - Term. Interface (in) 0.079 In
 Pitch - Term. Interface (mm) 2.00 mm
 Plating min: Mating (µin) 15
 Plating min: Mating (µm) 0.38
 Plating min: Termination (µin) 75
 Plating min: Termination (µm) 1.88
 Polarized to Mating Part Side Slots (2)
 Polarized to PCB No
 Shrouded Fully
 Stackable No
 Temperature Range - Operating -55°C to +105°C



EU RoHS

ELV and RoHS Compliant
REACH SVHC Contains SVHC: No
Halogen-Free Status
Not Reviewed

China RoHS



Need more information on product environmental compliance?

Email productcompliance@molex.com
 For a multiple part number RoHS Certificate of Compliance, [click here](#)

Please visit the [Contact Us](#) section for any non-product compliance questions.

Search Parts in this Series

[87832Series](#)

Mates With

[50394](#) Wire-to-Board Terminals. [51110](#) Wire-to-Board Crimp Housing. [87568](#) Wire-to-Board IDT Housings. [79107](#) Board-to-Board Top Entry Through Hole Receptacle. [79108](#) Board-to-Board FFC/FPC Top Entry Through Hole Receptacle. L

Termination Interface: Style Surface Mount

Electrical

Current - Maximum per Contact 2A
Voltage - Maximum 125V

Solder Process Data

Duration at Max. Process Temperature (seconds) 10
Lead-free Process Capability Reflow Capable (SMT only)
Max. Cycles at Max. Process Temperature 1
Process Temperature max. C 260

Material Info

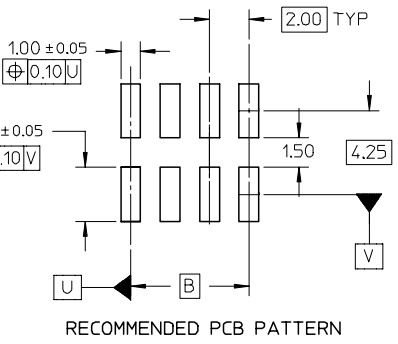
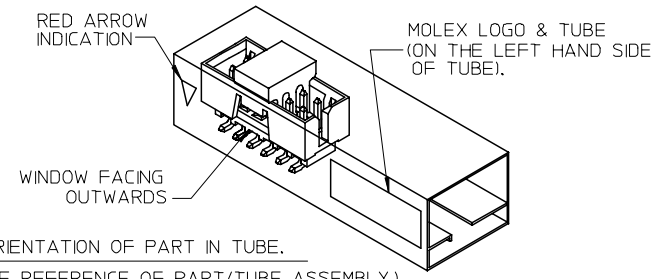
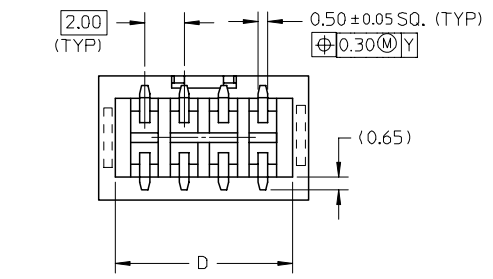
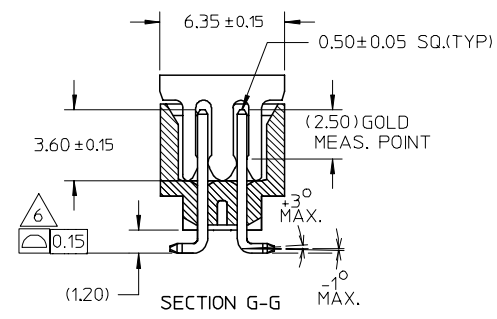
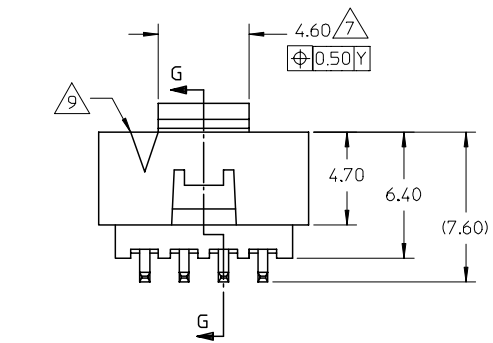
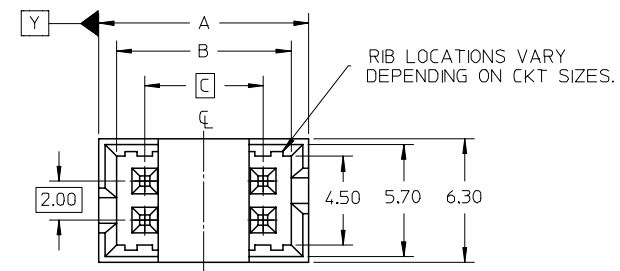
Reference - Drawing Numbers

Product Specification PS-87831-027
Sales Drawing SD-87832-030

This document was generated on 05/25/2010

PLEASE CHECK WWW.MOLEX.COM FOR LATEST PART INFORMATION

10 9 8 7 6 5 4 3 2 1



P/N WITHOUT CAP IN TUBE	P/N WITH CAP IN TUBE	P/N WITH CAP IN TAPE/REEL	CKT SIZE	DIMENSION			
				A	B	C	D
87832-0624	87832-0626	87832-0628	6	8.65	6.85	4.00	7.00
87832-0824	87832-0826	87832-0828	8	10.65	8.85	6.00	9.00
87832-1024	87832-1026	87832-1028	10	12.65	10.85	8.00	11.00
87832-1224	87832-1226	87832-1228	12	14.65	12.85	10.00	13.00

- NOTES:
- FOR ILLUSTRATION PURPOSES, 8 CIRCUIT SIZE WAFER IS SHOWN.
 - MATERIAL :
HOUSING & CAP : 30% G.F., NYLON 46, UL94V-0, COLOR BLACK.
PIN : 0.50MM SQ.PHOSPHOR BRONZE.
 - PLATING :
0.38um/15uin GOLD IN CONTACT AREA AND 1.88um/75uin MIN.TIN IN SOLDER TAIL AREA OVER 1.27um/50uin MIN. NICKEL OVERALL.
 - PIN PUSHOUT FORCE : 0.91 KG MIN. IN EITHER DIRECTION.
 - PRODUCT SPECIFICATION PS-87831-027 APPLIES.
 - COPLANARITY IS TO BE MEASURED BY RESTING THE SOLDER TAIL ON A GAUGE SURFACE.
 - BEND DEPRESSION ON SMT TAIL IS ACCEPTABLE SO LONG AS IT DOES NOT AFFECT THE OVERALL COPLANARITY OF THE TAIL.
 - CAP TO BE POSITION IN THE CENTER OF HEADER FOR PICK AND PLACE.
 - CKT 4 & 6 HAS NO IDENTIFICATION TAG.
 - FOR 4 CKT OPTION, REFER TO 87832-0406.
 - THIS HEADER MATES WITH MOLEX:
 - CRIMP RECEPTACLE HOUSING, 51110 SERIES WITH CRIMP TERMINAL, 50394 SERIES.
 - 2MM MILLIGRID DUAL ROW IDT, 87568 SERIES.
 - PARTS SHALL BE PACKED WITH MOISTURE BARRIER BAG WITH DESICCANT GEL.

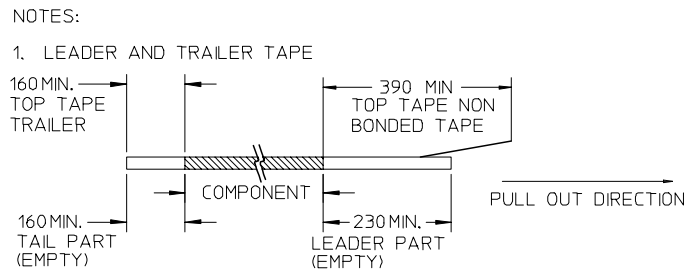
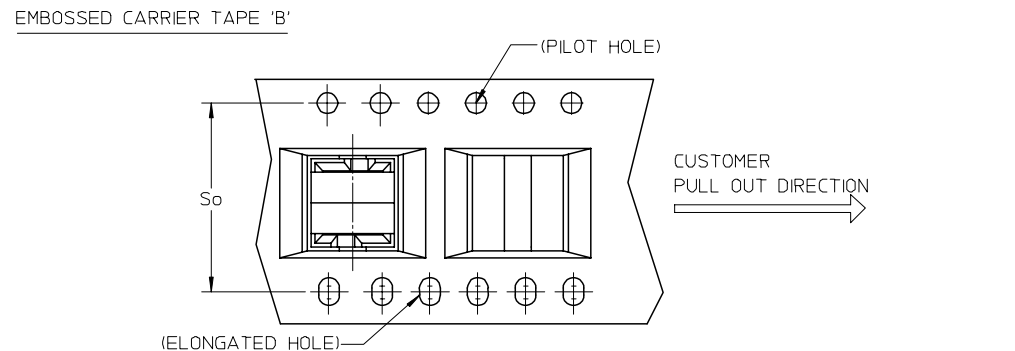
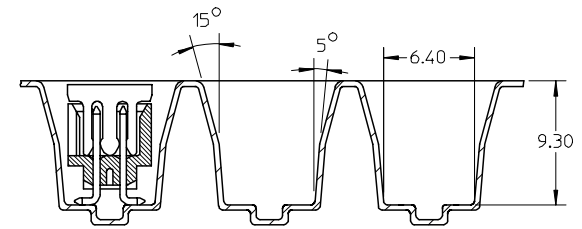
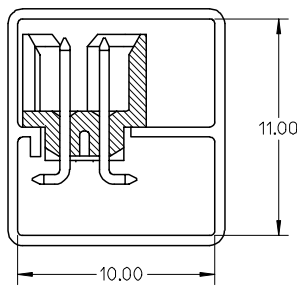
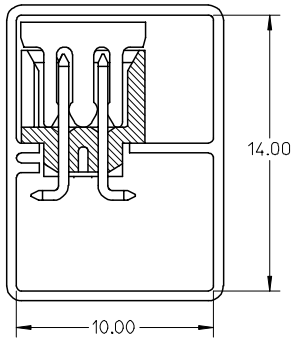
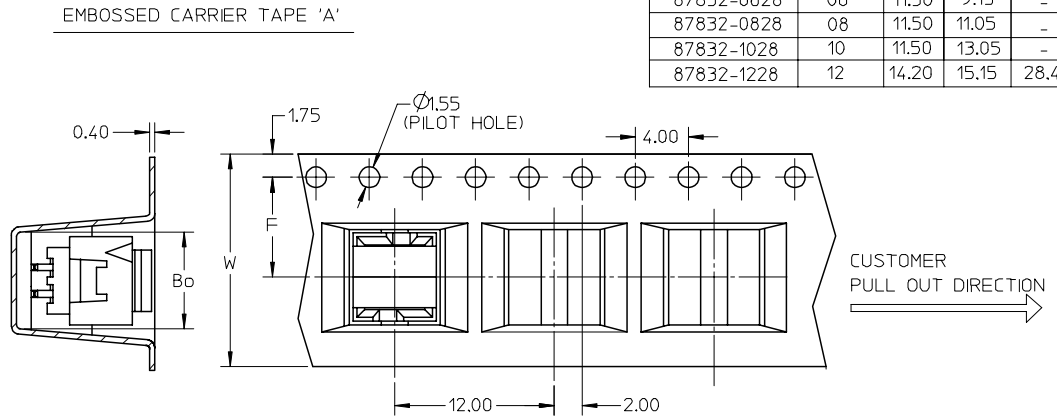
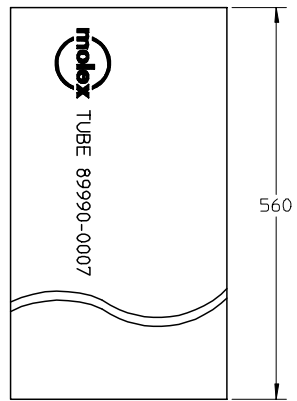
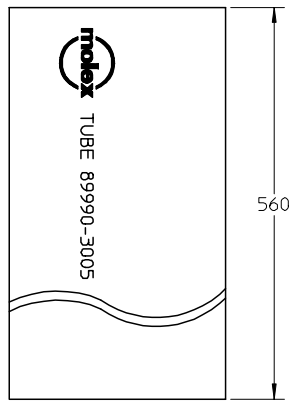
REVISED EC NO: S2008-0049 DRWNS:KANG CHKD:ATSEE APPR:MLONG 2007/10/31 2007/10/31 2007/11/01	QUALITY SYMBOLS ▽=0 ▽C=0	GENERAL TOLERANCES (UNLESS SPECIFIED)		DIMENSION STYLE		SCALE	DESIGN UNITS	THIRD ANGLE PROJECTION			
				MM ONLY		NTS	METRIC				
				mm	INCH	DRAWN BY DATE		TITLE			
						KSEE 2004/03/11		MGRID, 2MM, SHROUDED HDR SMT, IN TUBE AND T&R			
				CHECKED BY DATE		MATERIAL NO.					
				PTL IM 2004/03/30		DOCUMENT NO.		SHEET NO.			
				APPROVED BY DATE		SD-87832-030		1 OF 2			
				SCLOW 2004/04/01		MOLEX MOLEX INCORPORATED					
				ANGULAR ± 3 °		SEE TABLE					
				DRAFT WHERE APPLICABLE MUST REMAIN WITHIN DIMENSIONS		SIZE					
				A5		A3					

9 8 7 6 5 4 3 2 1

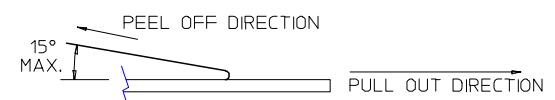
10 WITH CAP
TUBE PACKAGING

8 WITHOUT CAP
TUBE PACKAGING

P/N WITH CAP IN T&R	CKT SIZE	F	Bo	So	W
87832-0628	06	11.50	9.15	-	24.00
87832-0828	08	11.50	11.05	-	24.00
87832-1028	10	11.50	13.05	-	24.00
87832-1228	12	14.20	15.15	28.40	32.00



2. PEELING OFF FORCE OF THE TOP TAPE: 20-80gf.
(PEELING DIRECTION AS SHOWN IN FOLLOWING FIGURE)



3. PACKAGING STANDARD IS AS PER EIA-481.

REVISED EC NO: S2008-0049 DRWNS:KANG CHKD:ATSEE APPR:MLONG 2007/10/31 2007/10/31 2007/11/01	DESCRIPTION QUALITY SYMBOLS ▽=0 ▽=0	GENERAL TOLERANCES (UNLESS SPECIFIED)		DIMENSION STYLE MM ONLY		SCALE NTS	DESIGN UNITS METRIC	THIRD ANGLE PROJECTION			
		4 PLACES ± --- ± ---	3 PLACES ± --- ± ---	2 PLACES ± 0.2 ± ---	1 PLACE ± --- ± ---	ANGULAR ± 3 °	DRAWN BY KSEE	DATE 2004/03/11	TITLE MGRID, 2MM, SHROUDED HDR SMT, IN TUBE AND T&R		
		DRAFT WHERE APPLICABLE MUST REMAIN WITHIN DIMENSIONS					CHECKED BY PTL IM	DATE 2004/03/30	MOLEX INCORPORATED		
		SEE TABLE					APPROVED BY SCLOW	DATE 2004/04/01	MATERIAL NO.	DOCUMENT NO. SD-87832-030	SHEET NO. 2 OF 2