

6

5




4

3

2




1

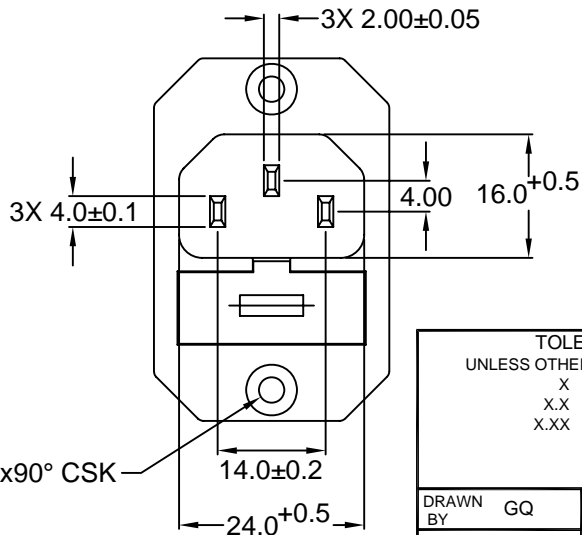
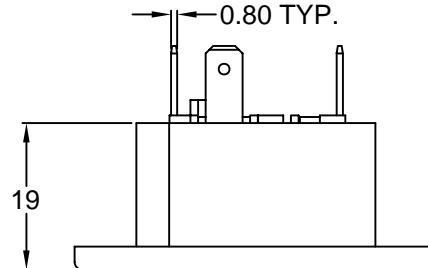
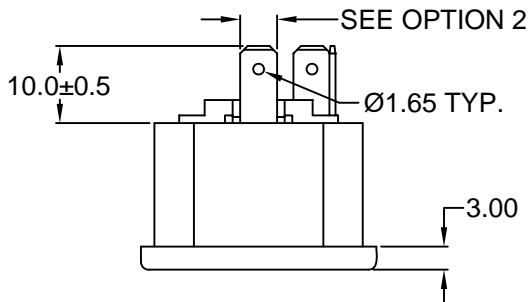
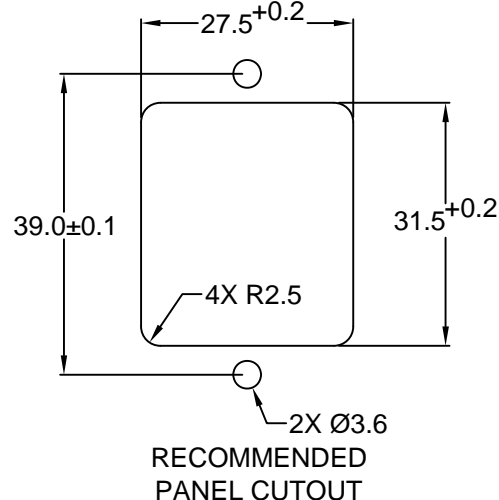
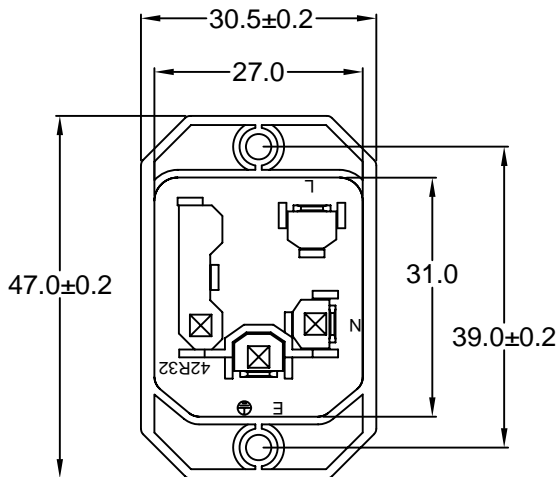
MATERIAL AND FINISH:
 Insulator: Polycarbonate, UL-94V-0 rated
 Contacts: Brass, Nickel plated

ELECTRICAL SPECIFICATIONS:
 Current rating: 10 A   
 Voltage rating: 250 VAC
 Insulation resistance: 100 Mohm min. at 500 VDC
 Dielectric withstanding voltage: 2000 VAC for one minute

ORDERING CODE:
 42R32-2 _____
 1 2 3

- 1) COLOR
 1 = BLACK
 2 = GRAY
- 2) TERMINAL OPTIONS
 1 = .187(4.8)
 2 = .250(6.3)
- 3) ELECTRICAL CIRCUIT CONFIGURATION

- 1 = 10A 250V 70°C
 2+GROUND 
- 2 = 10A 250V 120°C
 2+GROUND 
- 4 = 10A 250V 70°C
 2 POLE 



RoHS
 COMPLIANT

TOLERANCE UNLESS OTHERWISE SPECIFIED	
X	± 1
X.X	± 0.4
X.XX	± 0.20
DRAWN BY	GQ
DATE:	09/09/01
CHECK BY	TD
DATE:	09/09/01
APPR BY	PB
DATE:	09/09/01

Power Dynamics, Inc.
 Phone: 973 560-0019 Whippany, New Jersey Fax: 973 560-0076

PART: IEC 60320 SINGLE FUSE HOLDER APPL. INLET;
 QUICK CONNECT TERMINALS; CROSS FLANGE

PART #: 42R32-2XXX		SHEET 1 of 1
SIZE: A	ALL DIMENSIONS FOR REFERENCE ONLY DIMENSIONS ARE IN MILLIMETERS	
SCALE: NTS	REV:	

D

C

B

A

REVISIONS	CHNG	CHECK	APPR
	CHANGE		
	DATE		
	REV		