

# INDUSTRIAL GRADE CERAMIC RESONATOR

AWSZT-MC

Pb in ceramic  
(exempt per RoHS 2002/95/EC Annex (7))

**RoHS**  
Compliant



3.7 x 3.1 x 1.2 mm

## FEATURES:

- Low resonant impedance
- High stability type
- Excellent environmental resistance
- Reflow capable
- Industrial grade
- Built-in load capacitance

## APPLICATIONS:

- Remote controls, Microprocessor clocks, Mobile phones, DVD & CD-Roms, Electric appliances, Industrial controllers

## ELECTRICAL CHARACTERISTICS:

Item	Requirement
Oscillation Frequency	8.00MHz to 50.00MHz
Resonant Impedance	40Ω max.
Frequency Tolerance and stability	See Table 2.1
Withstanding Voltage	50 (DC , 1 min)
Rating Voltage	
(1) D.C.Voltage	6 V.D.C. max
(2) A.C. Voltage	15 Vp-p. max
Load Capacitance	see Table 2.2
Insulation Resistance	100MΩ min. (100V, 1min)
Operation Temperature	-25°C to +85°C
Storage Temperature	-55°C to +85°C
Aging Rate (Fosc)	±0.2% max. (10 years)

TABLE 2.1

Part Number (XX.XX denotes freq. in MHz)	Frequency Tolerance at 25°C	Frequency Stability at Operating Temp.	Operating Temperature	Resonant Impedance (Ω) max
AWSZT-XX.XXMCS 8.00 MHz - 50.00 MHz	±0.5%	± 0.3%	-25° to +85°C	40
AWSZT-XX.XXMCD 8.00 MHz - 50.00 MHz	±0.5%	± 0.5%	-40° to +85°C	40
AWSZT-XX.XXMCA 8.00 MHz - 50.00 MHz	±0.5%	± 0.7%	-40° to +125°C	40

## TEST CIRCUIT:

Parts shall be tested under a condition (Temp.: 20°C±15°C, Humidity: 65%±20% R.H.) unless the standard condition (Temp.: 25°C±3°C, Humidity: 65%±5% R.H.) is regulated to test.

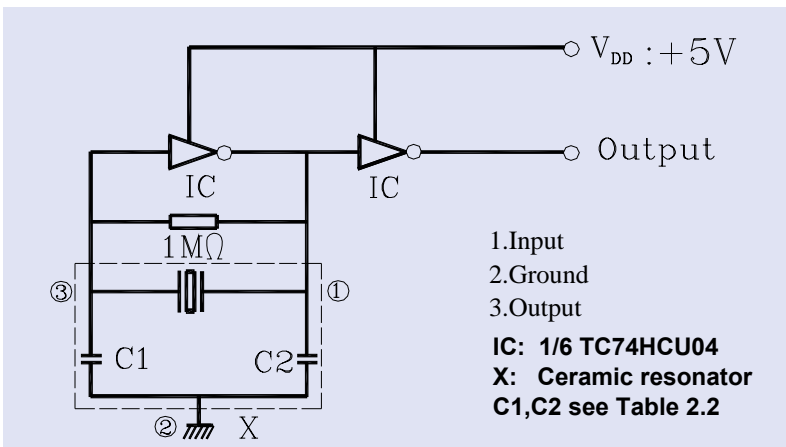


TABLE 2.2

Freq (MHz)	CI=C2 pf (±20%)
8.00~13.00	30
13.01~20.00	30
20.01~25.99	15
26.0~50.00	5

# INDUSTRIAL GRADE CERAMIC RESONATOR

AWSZT



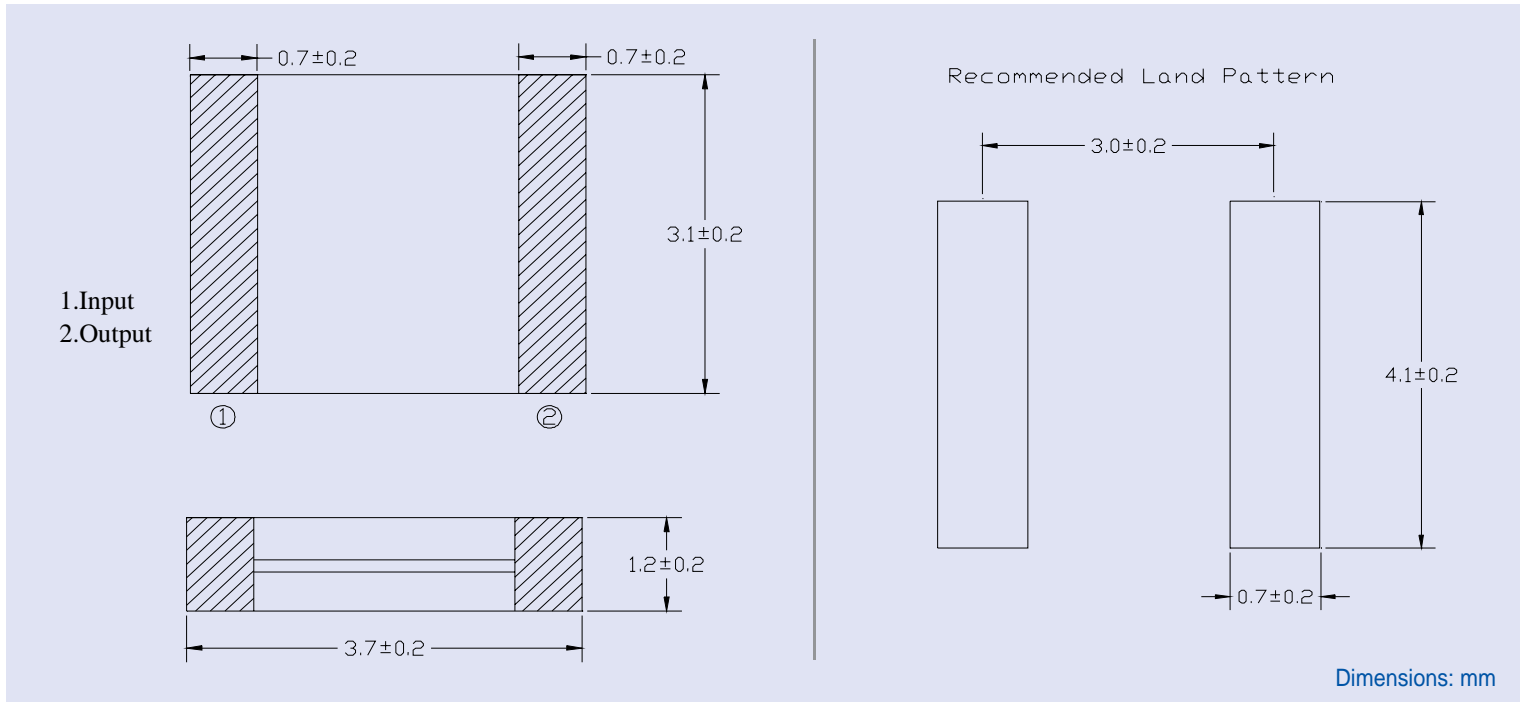
3.7 x 3.1 x 1.2 mm

AWSZT-MC

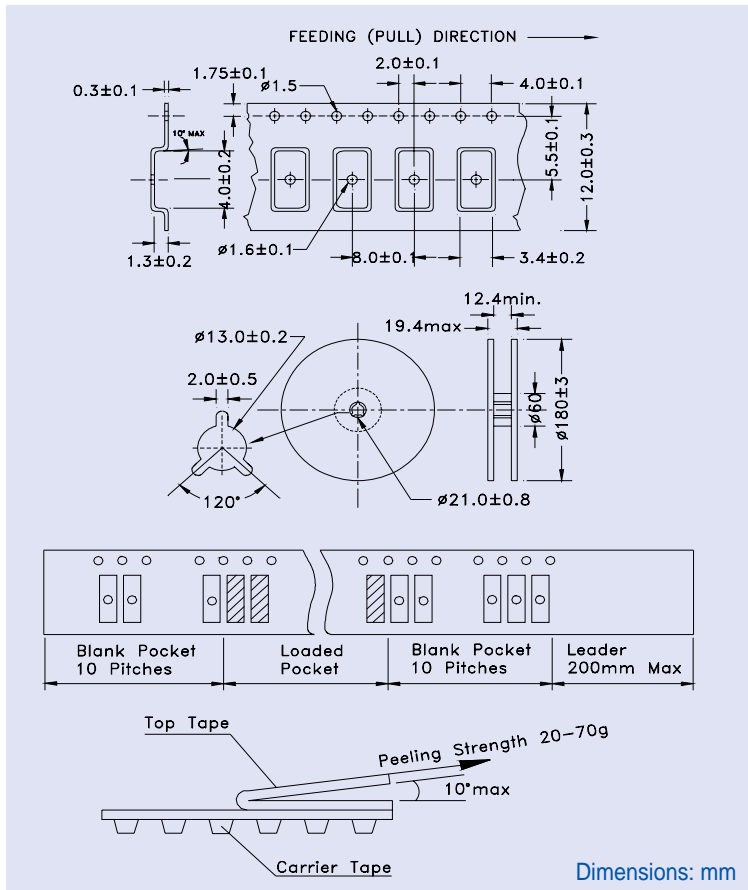
Pb in ceramic  
(exempt per RoHS 2002/95/EC Annex (7))

**RoHS**  
Compliant

## OUTLINE DRAWING:



## TAPE & REEL:



ABRACON IS  
ISO 9001 / QS 9000  
CERTIFIED



**ABRACON**  
CORPORATION

Visit [www.abracon.com](http://www.abracon.com) for Terms & Conditions of Sale **Revised: 07.26.07**  
30332 Esperanza, Rancho Santa Margarita, California 92688  
tel 949-546-8000 | fax 949-546-8001 | [www.abracon.com](http://www.abracon.com)