



Specific Lighting Product Data Sheet

M09 CoB Product Series Data Sheet

Spec No.: DS23-2016-0111

Effective Date: 12/15/2016

Revision: -

LITE-ON DCC

RELEASE

BNS-OD-FC001/A4

SPECIFIC LIGHTING M09 CoB Product Series

1. Description

The LiteON CoB Product series is a revolutionary, energy efficient and ultra-compact new light source, combining the lifetime and reliability advantages of Light Emitting Diodes with the brightness of conventional lighting. It gives you total design freedom and unmatched brightness, creating a new opportunities for solid state lighting to displace conventional lighting technologies.

1.1 Features

- Compact high flux density light source
- Uniform high quality illumination
- Streamlined thermal path
- MacAdam compliant binning structure
More energy efficient than incandescent, halogen and fluorescent lamps
- Instant light with unlimited dimming
- RoHS compliant and Pb free

1.2 Benefits Features

- Enhanced optical control
- Clean white light without pixilation
- Uniform consistent white light
- Significantly reduced thermal resistance and increased operating temperatures
- Lower operating costs
- Reduced maintenance costs
- ESD rating is 8KV in HBM

1.3 Naming Rule

L	T	PL	-	M	0	9	8	X	X	X	S	X	X	-	X	X
		Code1				Code2	Code3		Code4	Code5			Code6			Code7

Code 1: Product Line

PL: High Power LED

Code 2: Package Type/Platform

M03: Ceramic substrate with 18x18mm square

Code 3: Light Emitting Surface

8: 12.6mm excluding dam

Code 4: Product Series

25: 25 Series

30: 30 Series

Code5: CRI

Z: White Color Rendering Index 80 min

Q: White Color Rendering Index 90 min

Code6: Color Temperature

30: 3000K at 85degC

40: 4000K at 85degC

50: 5000K at 85degC

Note: The Color Temperature follow ANSI C78.377A Doc

Code 7: Hue Bin by MacAdam Ellipses Step

T0: 3000K~4000K MacAdam Ellipse / ANSI Bin

F1: 5000K MacAdam Ellipse / ANSI Bin

SPECIFIC LIGHTING M09 CoB Product Series

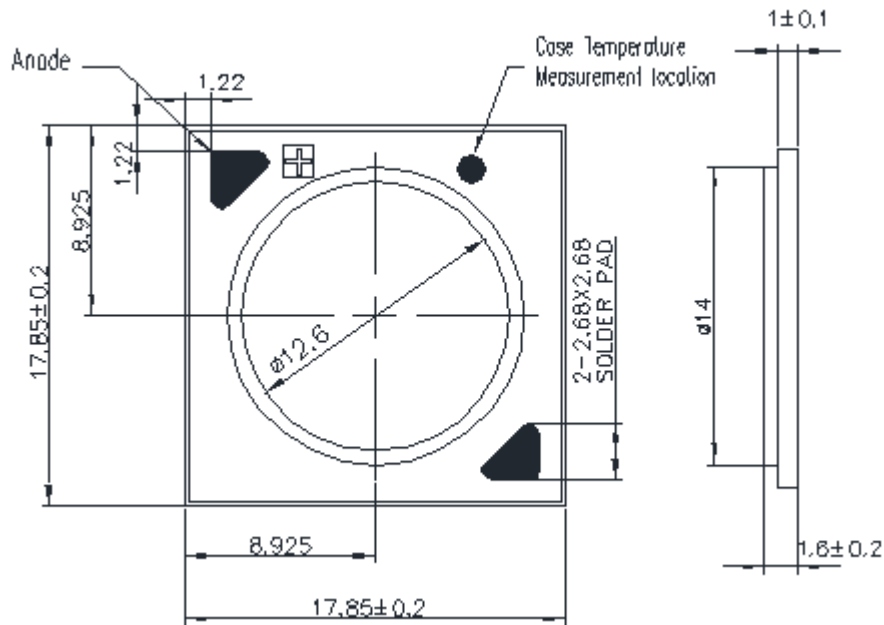
1.4 Product List

Part Number	Product Series	CCT	CRI	Color Bin			Lumen Bin	
				3SDCM	5SDCM	ANSI	-8%~+8%	-15%~+15%
LTPL-M09825ZS30-T0	25	3000K	80	☆	☆	☆	☆	☆
LTPL-M09825ZS40-T0	25	4000K	80	☆	☆	☆	☆	☆
LTPL-M09825ZS50-F1	25	5000K	80		☆	☆		☆
LTPL-M09825QS30-T0	25	3000K	90	☆	☆	☆	☆	☆
LTPL-M09830ZS30-T0	30	3000K	80	☆	☆	☆	☆	☆
LTPL-M09830ZS40-T0	30	4000K	80	☆	☆	☆	☆	☆
LTPL-M09830ZS50-F1	30	5000K	80		☆	☆		☆
LTPL-M09830QS30-T0	30	3000K	90	☆	☆	☆	☆	☆

SPECIFIC LIGHTING M09 CoB Product Series

2. Outline Dimensions

2.1 Form Factor of M098 series CoB

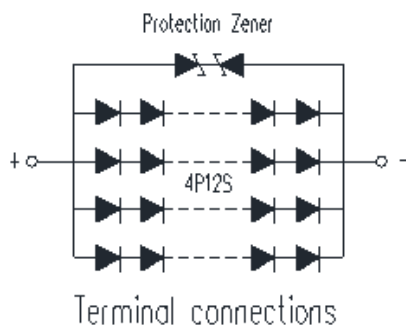


Notes

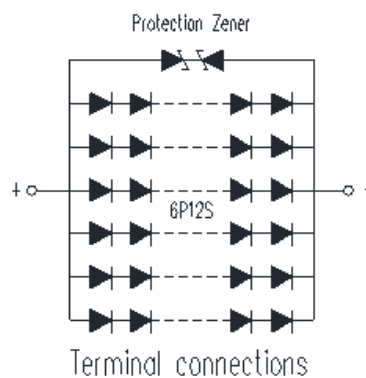
1. All dimensions are in millimeters.
2. Tolerance is ± 0.3 mm unless otherwise noted.
3. LED of equivalent circuit means all series/parallel in CoB package.

2.2 Internal Equivalent Circuit

25 Series Product



30 Series Product



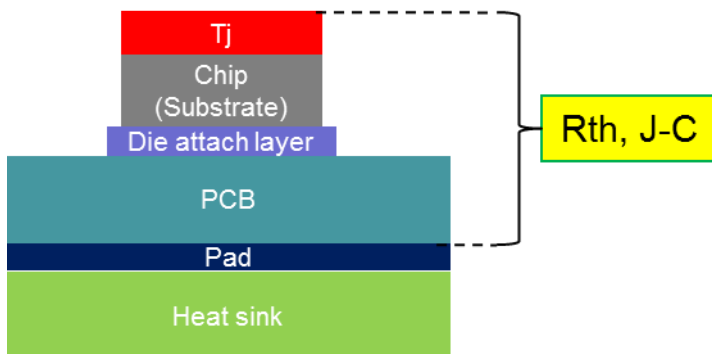
SPECIFIC LIGHTING M09 CoB Product Series

3. Absolute Maximum Ratings at Ta=25°C

Parameter	Symbol	Product Series	Rating	Unit
Power Dissipation	P _O	25	32	W
		30	49	W
Forward Current	I _F	25	800	mA
		30	1200	mA
Junction Temperature	T _j		125	°C
Thermal Resistance, Junction-Case	R _{th, J-C}	25	1.24	°C/W
		30	0.76	°C/W
Operating Temperature Range	T _{opr}		-40 to 85	°C
Storage Temperature Range	T _{stg}		-40 to 100	°C
Breakdown Voltage(DC)	V _B		2.25	KV
Electrostatic Discharge	ESD		8	KV

Notes

1. The pulse mode condition is 1/10 duty cycle with 100 msec pulse width.
2. Forbid to be operated at reverse voltage condition.
3. ESD spec is reference to AEC-Q101-001 HBM.
4. The unit of Rth is °C/W electrical.
5. The M09 CoB is recommended soldering temperature under 350degC and could not over 3.5sec.



SPECIFIC LIGHTING M09 CoB Product Series

4. Electro-Optical Characteristics

4.1 Typical Performance

■ 25 Series Product

Dominant CCT	Product Series	CRI	Current (mA)	V _F (V) @25°C	Flux(lm) @25°C	V _F (V) @85°C	Flux(lm) @85°C	Eff.(lm/W) @25°C	Eff.(lm/W) @85°C
3000K	25	80	700	37.1	3395	35.5	2988	131	120
4000K	25	80	700	37.1	3599	35.5	3167	139	127
5000K	25	80	700	37.1	3633	35.5	3197	140	129
3000K	25	90	700	37.1	2784	35.5	2450	107	99

■ 30 Series Product

Dominant CCT	Product Series	CRI	Current (mA)	V _F (V) @25°C	Flux(lm) @25°C	V _F (V) @85°C	Flux(lm) @85°C	Eff.(lm/W) @25°C	Eff.(lm/W) @85°C
3000K	30	80	800	36.1	4102	34.5	3610	142	131
4000K	30	80	800	36.1	4348	34.5	3826	151	138
5000K	30	80	800	36.1	4389	34.5	3862	152	140
3000K	30	90	800	36.1	3364	34.5	2960	116	107

Notes

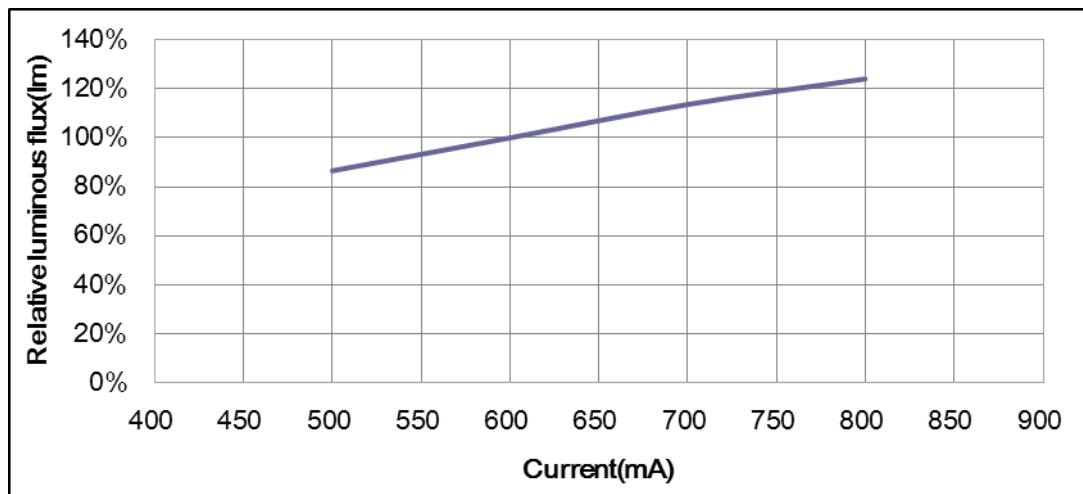
1. All of V_F value are typical, the real bin range please refer page 11 "V_F Binning Parameter".
2. All of flux value are typical, the real bin range please refer page 11 "Flux Binning Parameter".
3. Tolerance of flux is ±7%, tolerance of CCX/CCY is ±0.007, tolerance of CRI is ±2, and tolerance of V_F is ±3%.
4. Typical viewing angle is 120deg.

SPECIFIC LIGHTING M09 CoB Product Series

4.2 Forward Current vs. Lumen and Voltage

■ 25 Series Product

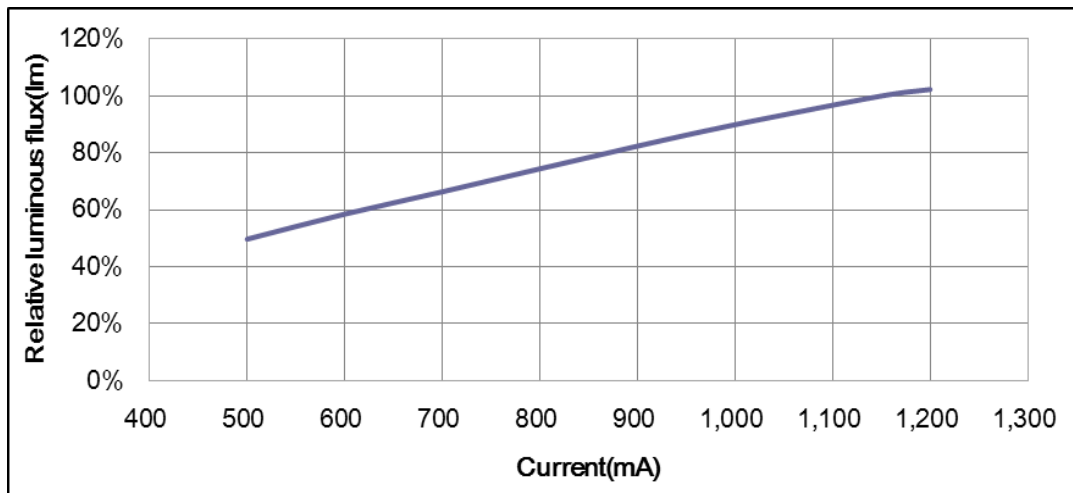
Current (mA)	V _F (V)	Flux (lm)			
		3000K	4000K	5000K	3000K
		CRI>80	CRI>80	CRI>80	CRI>90
500	35.0	2585	2740	2766	2120
600	35.9	3003	3184	3214	2463
700	37.1	3395	3599	3633	2784
800	38.1	3707	3929	3966	3039



SPECIFIC LIGHTING M09 CoB Product Series

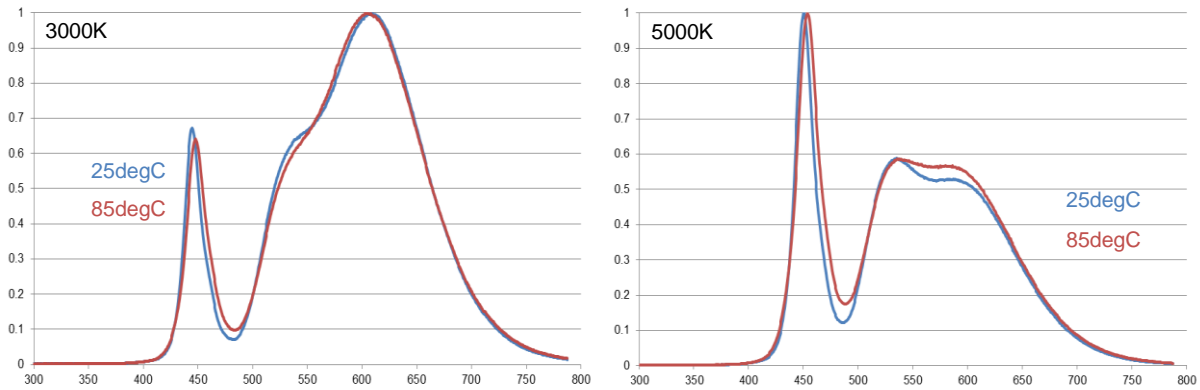
■ 30 Series Product

Current (mA)	V _F (V)	Flux (lm)			
		3000K	4000K	5000K	3000K
		CRI>80	CRI>80	CRI>80	CRI>90
500	33.9	2741	2905	2932	2247
600	34.7	3225	3418	3451	2644
700	35.3	3657	3876	3913	2999
800	36.1	4102	4348	4389	3364
900	37.0	4541	4813	4859	3724
1000	37.5	4956	5254	5303	4064
1100	38.2	5303	5622	5675	4349
1200	38.8	5638	5976	6033	4623

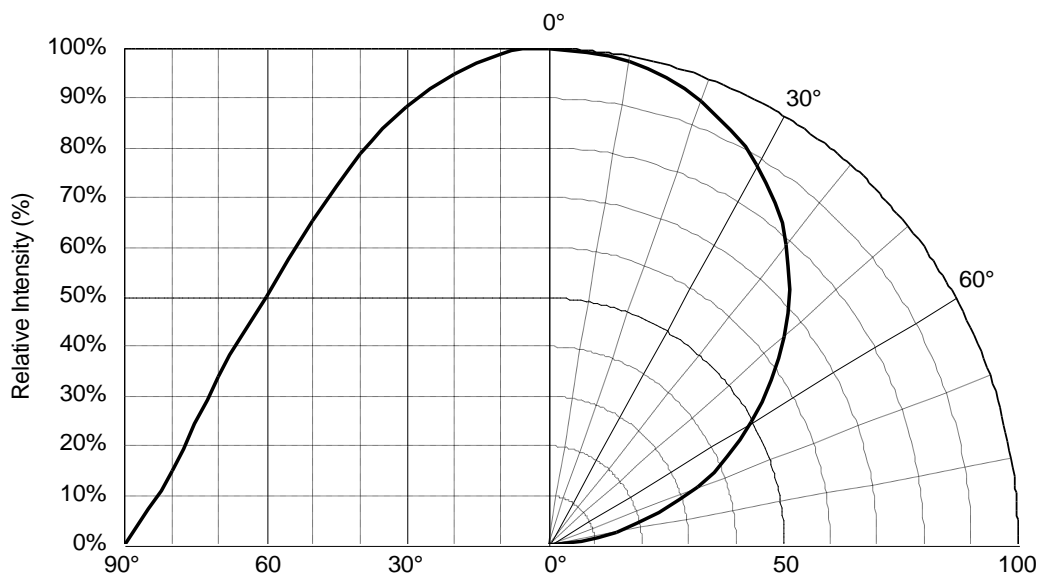


SPECIFIC LIGHTING M09 CoB Product Series

4.3 Relative Spectral Power Distribution at Typical Current

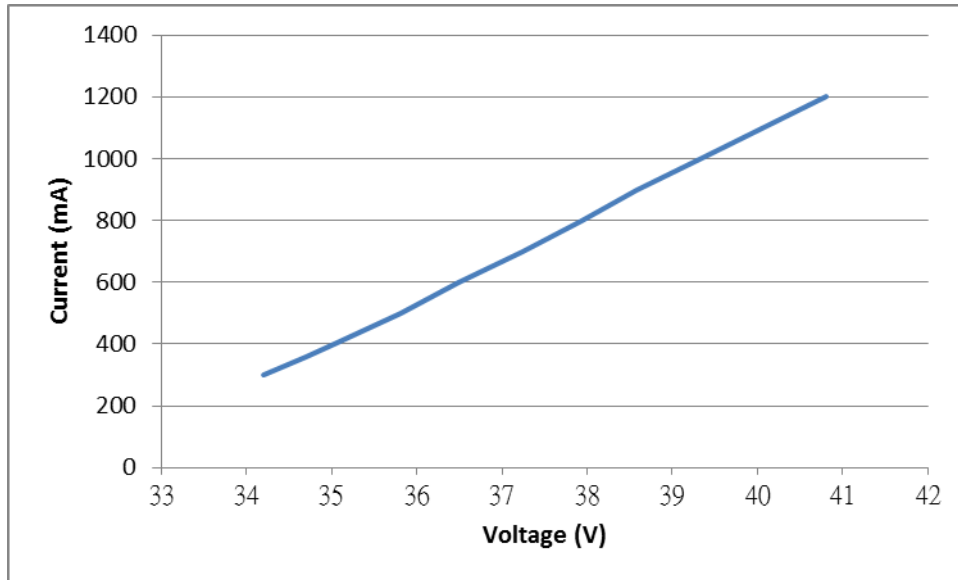


4.4 Radiation Characteristics

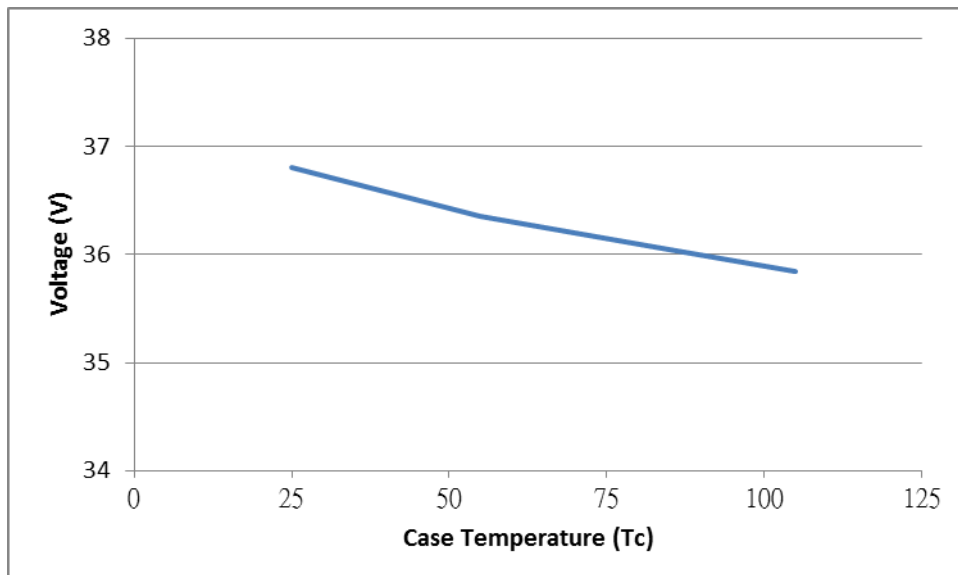


SPECIFIC LIGHTING M09 CoB Product Series

4.5 Forward Current vs. Forward Voltage

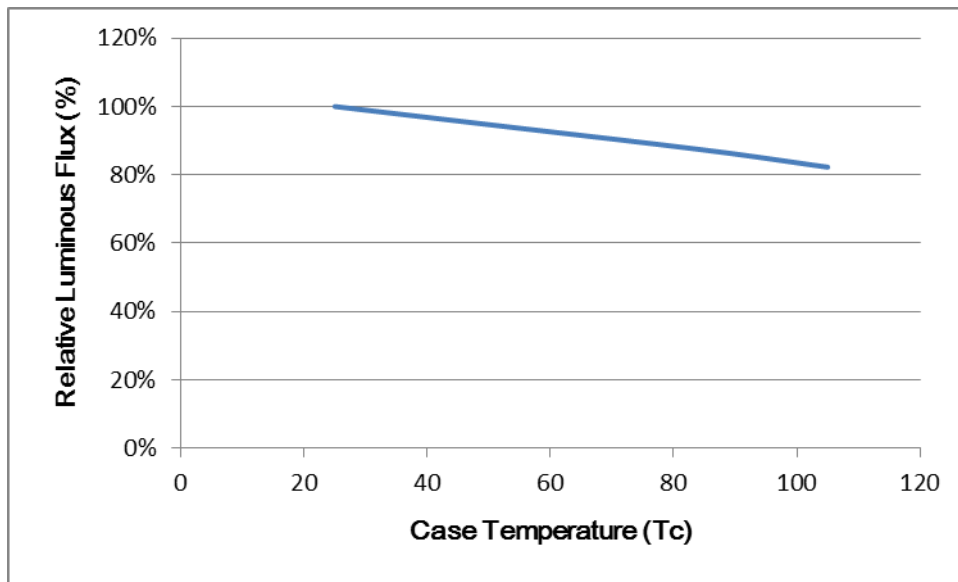


4.6 Forward Voltage vs. Case Temperature

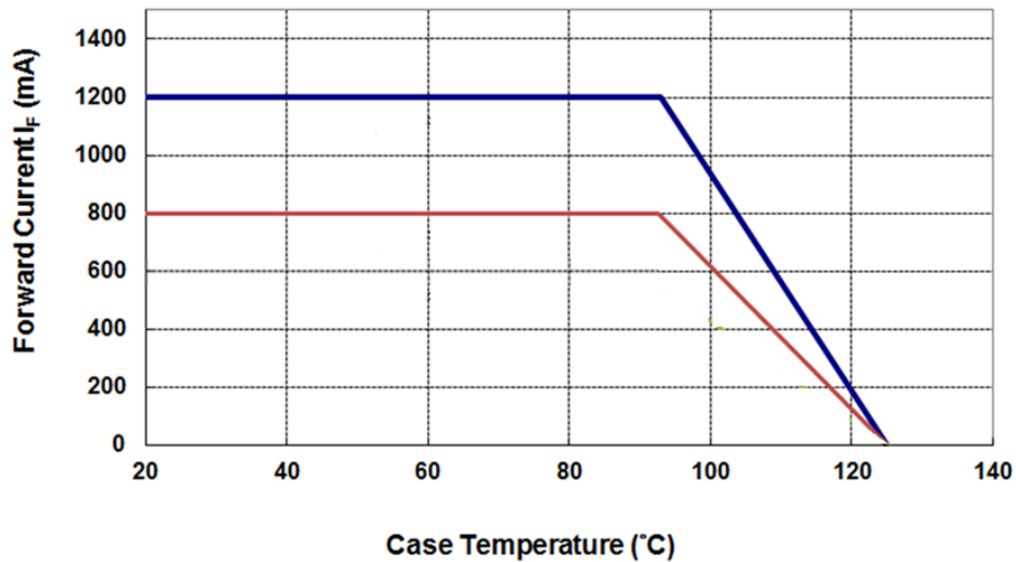


SPECIFIC LIGHTING M09 CoB Product Series

4.7 Relative Intensity vs. Case Temperature



4.8 Forward Current Degrading Curve



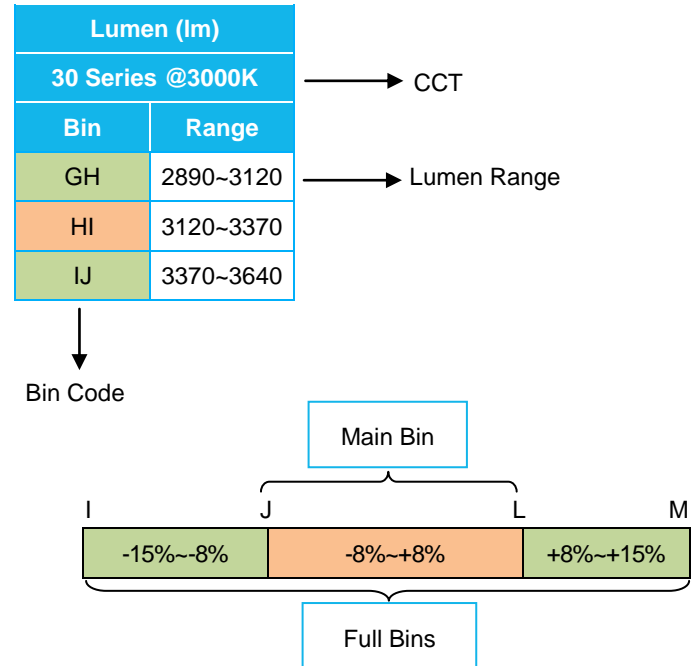
SPECIFIC LIGHTING M09 CoB Product Series

5. CoB Binning Definition

Flux Binning Parameter (25degC)

Lumen CODE List of M09 Series Product			
Parameter	Code	Unit	Lumen
Luminous Flux	D	lm	2300
	E		2485
	F		2680
	G		2890
	H		3120
	I		3370
	J		3640
	K		3925
	L		4240
	M		4575
	N		4940
	O		5330
P	5755		
Q	6210		

Example of M09 Series Product Bin



25 Series Lumen Bin

Lumen (lm)							
3000K (CRI>80)		4000K (CRI>80)		5000K (CRI>80)		3000K (CRI>90)	
Bin	Range	Bin	Range	Bin	Range	Bin	Range
GH	2890~3120	GH	2890~3120	HI	3120~3370	DE	2300~2485
HI	3120~3370	HI	3120~3370	IJ	3370~3640	EF	2485~2680
IJ	3370~3640	IJ	3370~3640	JK	3640~3925	FG	2680~2890
JK	3640~3925	JK	3640~3925	KL	3925~4204	GH	2890~3120

SPECIFIC LIGHTING M09 CoB Product Series

■ 30 Series Lumen Bin

Lumen (lm)							
3000K (CRI>80)		4000K (CRI>80)		5000K (CRI>80)		3000K (CRI>90)	
Bin	Range	Bin	Range	Bin	Range	Bin	Range
IJ	3370~3640	IJ	3370~3640	JK	3640~3925	FG	2680~2890
JK	3640~3925	JK	3640~3925	KL	3925~4240	GH	2890~3120
KL	3925~4240	KL	3925~4240	LM	4240~4575	HI	3120~3370
LM	4240~4575	LM	4240~4575	MN	4575~4940	IJ	3370~3640
MN	4575~4940	MN	4575~4940	NO	4940~5330	JK	3640~3925

■ Forward Voltage Binning Parameter (25degC)

Parameter	Bin	Symbol	Min	Max	Unit	Condition
Forward Voltage	V1	V_F	33.6	42	V	I_F =Typical current

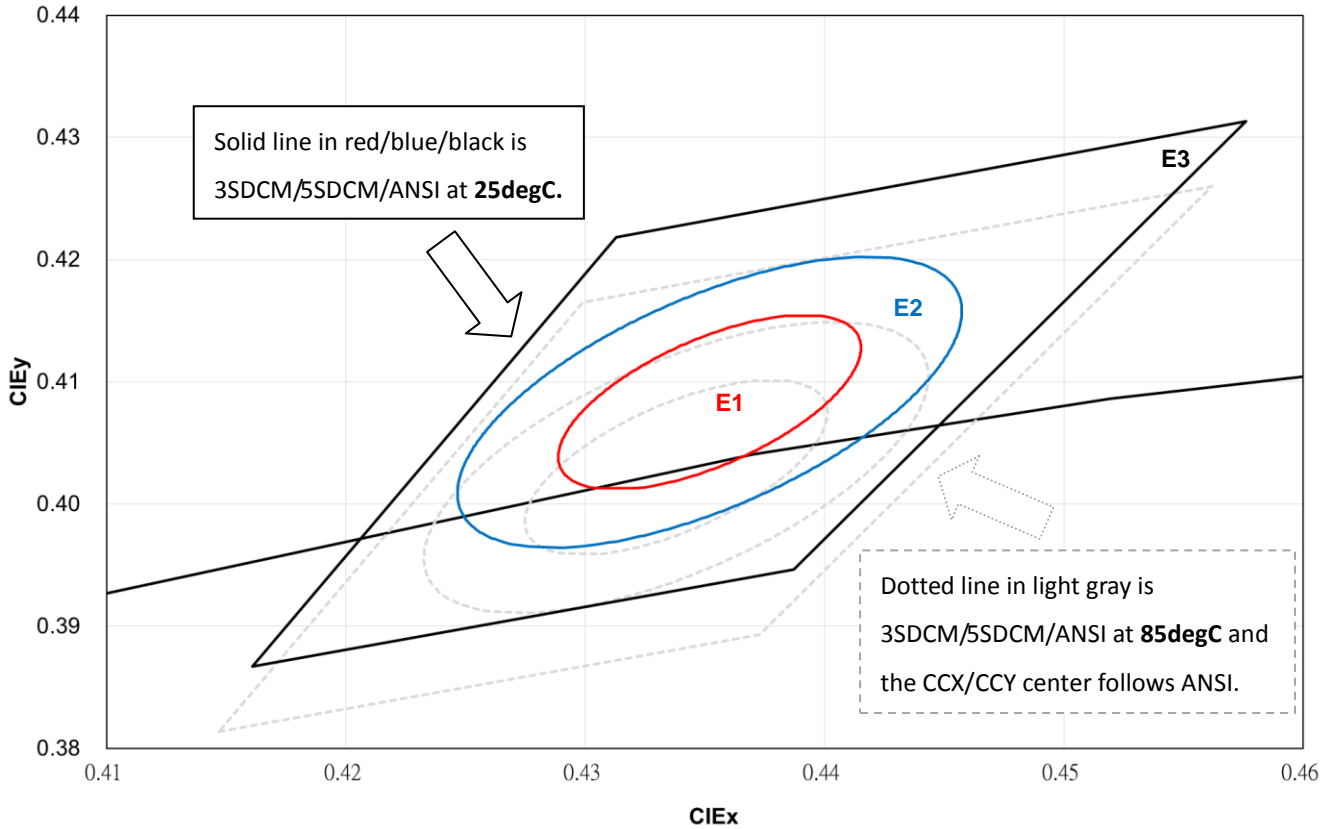
Note: Full Rank on Label

Example: V1/JL/E1

Forward Voltage Rank	Luminous Flux Rank	Color Rank
V1	JL	E1

SPECIFIC LIGHTING M09 CoB Product Series

■ Example of LiteOn CoB MacAdam Ellipse Color Definition (Ex: 3000K)



CIE Center Point						
CCT	25degC (LiteOn Spec.)		85degC (ANSI)		Hot/Cold Factor	
	CCX	CCY	CCX	CCY	CCX	CCY
3000	0.4392	0.4072	0.4338	0.4030	-0.0054	-0.0042
4000	0.3849	0.3856	0.3818	0.3797	-0.0031	-0.0059
5000	0.3486	0.3670	0.3447	0.3553	-0.0039	-0.0117

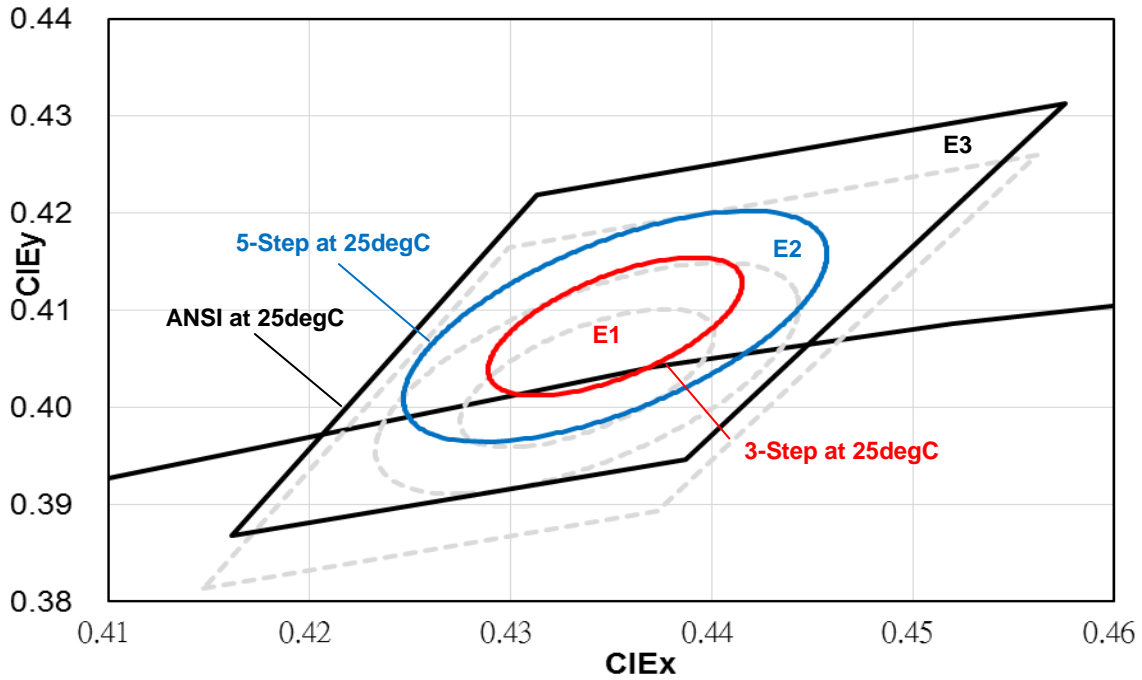
Notes

- LiteOn tester and shipping spec follow the color bin with 25degC CCX/CCY center.
- The Hot/Cold factor means the CCX/CCY shift from 25degC to 85degC.
- The Hot/Cold shift is measured by LiteOn CAS 140B instrument system.
- The ellipse equation expression: $SDCM = (g11*(x-x_0)^2 + 2*g12*(x-x_0)*(y-y_0) + g22*(y-y_0)^2)^{0.5}$

SPECIFIC LIGHTING M09 CoB Product Series

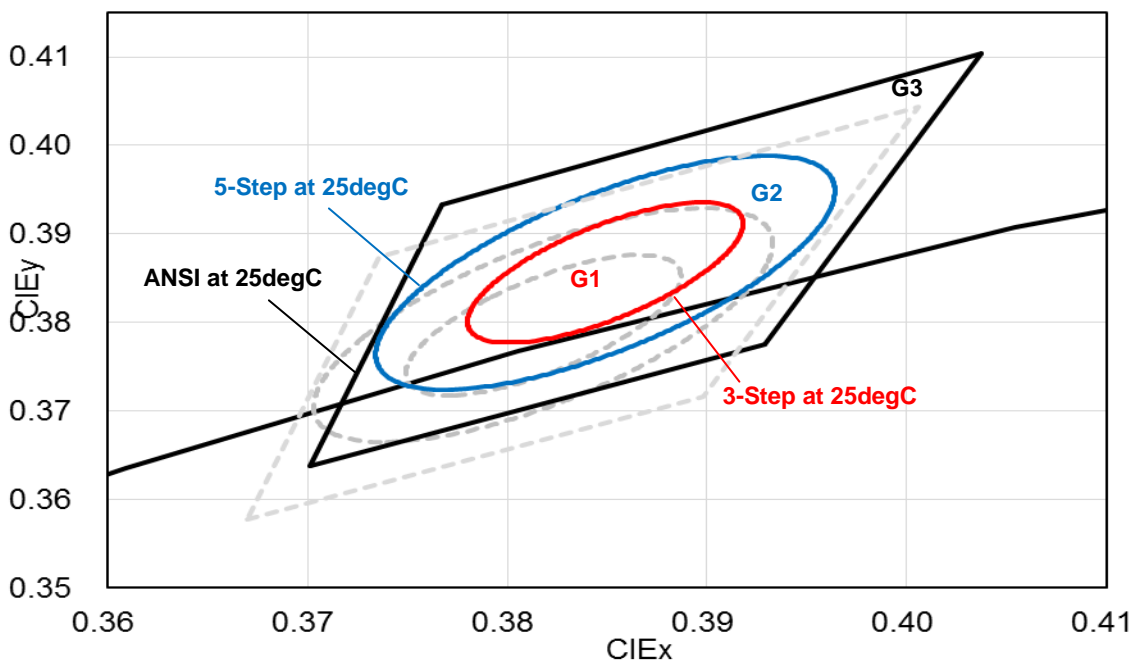
■ M09 CRI80、CRI90 3000K

PN: LTPL-M098xxxS30-T0



■ M09 CRI80 4000K

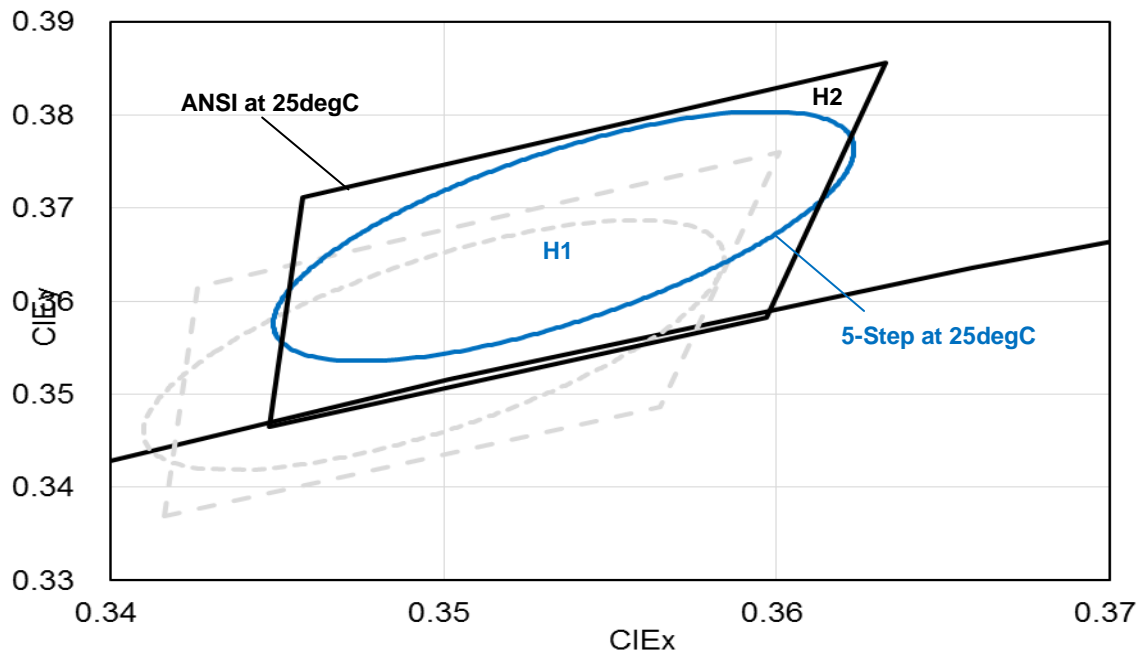
PN: LTPL-M098xxZS40-T0



SPECIFIC LIGHTING M09 CoB Product Series

■ M09 CRI80 5000K

PN: LTPL-M098xxZS50-F1



SPECIFIC LIGHTING M09 CoB Product Series

6. Reliability Test Plan

No	Test item	Condition	Duration	Number of Failed	Result
1	High Temperature Operating Life	T _c =85°C, I _F =Typical Current	1K hours	0/10	Pass
2	Wet High Temperature Operating Life	60°C/90%RH, I _F =Typical Current(DC) 30 mins ON/OFF	1K hours	0/10	Pass
3	Thermal Shock	-40°C to 125°C, 15minutes dwell, <10 seconds transfer, measurement in every 250 cycles	500 cycles	0/10	Pass
4	Fast Switch Cycling Test	40000cycles, 2 mins On/Off, Room temperature(25°C+/-5°C), measurement in every 5000 cycles	40K cycles	0/10	Pass
5	High Temperature Storage Life	T _a =120°C	1K hours	0/10	Pass
6	Low Temperature Storage Life	T _a =-55°C	1K hours	0/10	Pass
7	Mechanical Shock	1500G, 0.5ms pulse, 5 shocks each 6 axis	30 Times (5 shocks each 6 axis)	0/10	Pass
8	Variable Vibration Frequency	10-2000-10 Hz, log or linear sweep rate, 20G for approximately minute 1.5mm, each applied three times per axis over 6 hrs.	18 hrs (3 times per axis over 6 hrs)	0/10	Pass

■ Criteria for Judging the Damage

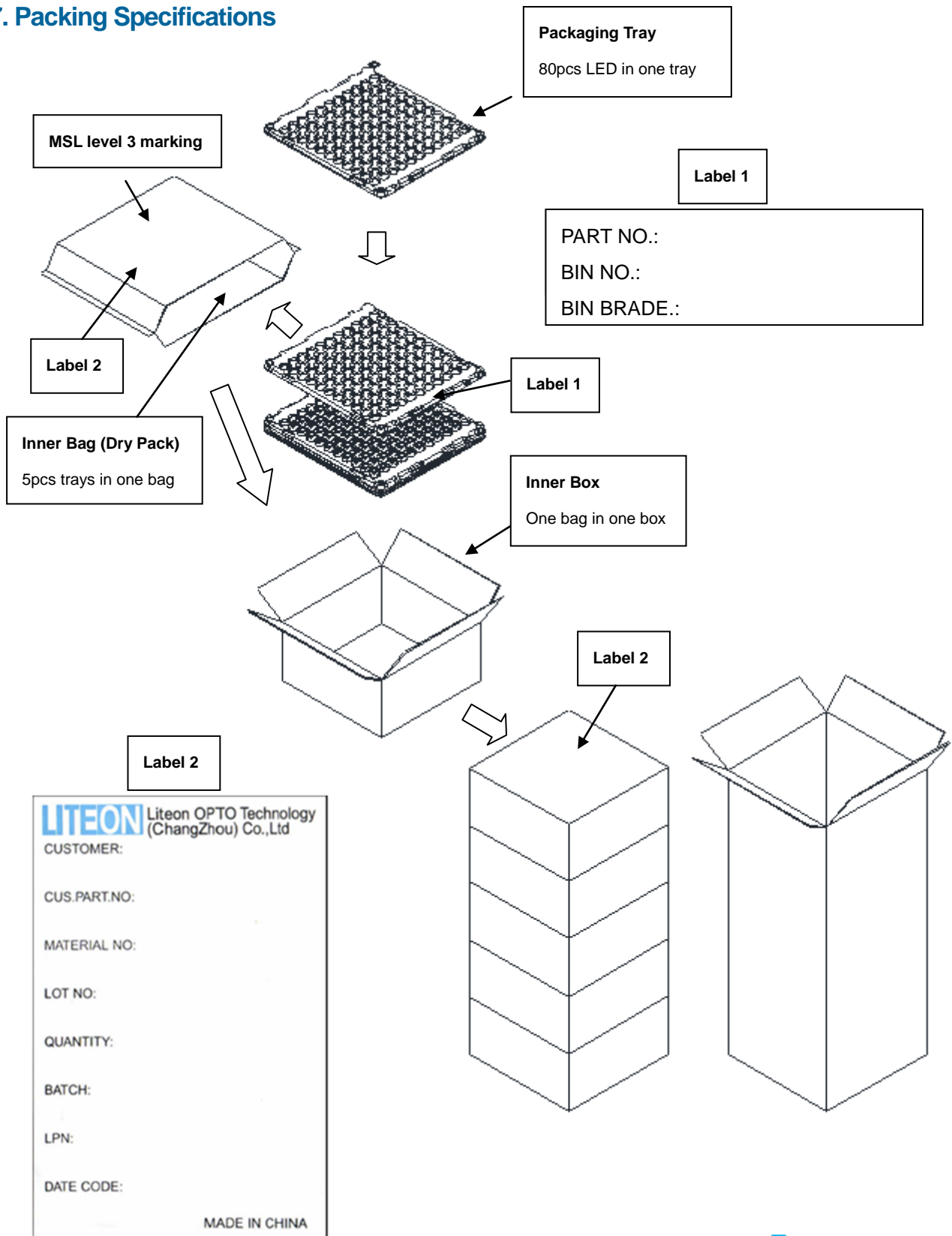
Item	Symbol	Test Condition	Criteria for Judgment	
			Min.	Max.
Forward Voltage	V _F	I _F =Typical Current		U.S.L. x 1.1
Luminous Flux	Lm	I _F =Typical Current	L.S.L. x 0.7	
CCX & CCY	X,Y	I _F =Typical Current		Shift<0.02

Notes

1. Operating life tests are mounted on thermal heat sink
2. Storage items are only component, not put on heat sink.

SPECIFIC LIGHTING M09 CoB Product Series

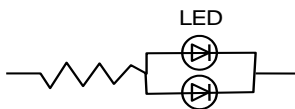
7. Packing Specifications



SPECIFIC LIGHTING M09 CoB Product Series

8. Cautions

7.1 An LED is a current-operated device. In order to ensure intensity uniformity on multiple LEDs connected in parallel in an application, it is recommended that a current limiting resistor be incorporated in the drive circuit, in series with each LED as shown in circuit below.



(A) Recommended circuit.

(B) The brightness of each LED might appear different due to the differences in the I-V characteristics of those LEDs.

7.2 Do not put any pressure on the light emitting surface either by finger or any hand tool and do not stack the COB products. Stress or pressure may cause damage to the wires of the LED array.

7.3 This product is not designed for the use under any of the following conditions, please confirm the performance and reliability are well enough if you use it under any of the following conditions

- Do not use sulfur-containing materials in commercial products including the materials such as seals and adhesives that may contain sulfur.
- Do not put this product in a place with a lot of moisture (over 85% relative humidity), dew condensation, briny air, and corrosive gas (Cl, H₂S, NH₃, SO₂, NO_X, etc.), exposure to a corrosive environment may affect silver plating.

ESD (Electrostatic Discharge)

Static Electricity or power surge will damage the LED. Suggestions to prevent ESD damage:

- Use of a conductive wrist band or anti-electrostatic glove when handling these LEDs.
- All devices, equipment, and machinery must be properly grounded.
- Work tables, storage racks, etc. should be properly grounded.
- Use ion blower to neutralize the static charge which might have built up on surface of the LED's plastic lens as a result of friction between LEDs during storage and handling.

ESD-damaged LEDs will exhibit abnormal characteristics such as high reverse leakage current, low forward voltage, or “no light up” at low currents.

To verify for ESD damage, check for “light up” and V_F of the suspect LEDs at low currents.