

MAIN FEATURE

1. 8mm clearance and creepage distance.
2. Slim size with high capacity up to 25A.
3. Dielectric Strength 5,000 VAC. surge resistance (7000V).
4. Class F insulation system.
5. Halogen free series available.
6. Comply with RoHS and REACH regulations.

CONTACT RATING

Load Type	GZR (LM/DM/LB/DB)	GZR (L/D)
Rated Load (Resistive)	20A 277VAC	20A 277VAC (N/O) 16A 277VAC (N/C)
	20A 30VDC	20A 30VDC (N/O) 16A 30VDC (N/C)
	25A 125VAC	25A 125VAC (N/O) (at 70°C)
Contact capacity	1HP 250VAC	1HP 250VAC
	TV-10 120VAC	TV-10 120VAC (N/O)
Rated Carrying Current	25A	25A
Max. Allowable Voltage	AC 380V	AC 380V
	DC125V	DC125V
Max. Allowable Current	25A	25A
Max. Allowable Power Force	5540VA	5540VA
	600W	600W
Contact Material	Ag Alloy	Ag Alloy
Contact Form	SPST	SPDT

APPLICATION

General Control, Home Appliance.

PERFORMANCE (AT INITIAL VALUE)

- Contact Resistance 100mΩ Max. @1A,6VDC
- Operate Time.....15mSec. Max.
- Release Time5 mSec. Max.
- Dielectric Strength:
 - Between Coil & Contact.....5,000VAC at 50/60 Hz for one minute
 - Between Contacts.....1,000VAC at 50/60 Hz for one minute
- Surge Resistance7,000V (between coil & Contact 1.2 / 50μSec.)
- Insulation Resistance1,000 MΩ Min. at 500VDC
- Max. On/Off Switching:
 - Electrical6 Cycles per Minute
 - Mechanical300 Cycles per Minute
- Temperature Range.....-40~+85°C
- Humidity Range.....45~85% RH.
- Coil Temperature Rise45°C Max. (D Type)
35°C Max. (L Type)

- Vibration:
 - Destruction 10 to 55 to 10 Hz,0.75 mm single amplitude (1.5mm double amplitude)
 - Malfunction 10 to 55 to 10 Hz,0.75 mm single amplitude (1.5mm double amplitude)
- Shock:
 - Destruction 1,000 m/S
 - Malfunction 100 m/S²
- Life Expectancy:
 - Mechanical 10⁷ Operations at No Load condition
 - Electrical 10⁵ Operations at Rated Resistive Load
- Contact Material Ag Alloy
- Weight About 17g

SAFETY STANDARD & FILE NUMBER

- UL & C-UL.....E141060
- TÜVR50292866

COIL SPECIFICATION (AT 20°C)

Coil Sensitivity	Nominal Voltage (VDC)	Nominal Current (mA)	Coil Resistance ($\Omega \pm 10\%$)	Power Consumption (W)	Pull-In Voltage (VDC)	Drop-Out Voltage (VDC)	Maximum Allowable Voltage (VDC)
GZR/D/DM/DB	3	240	13	Abt. 0.72	70% Maximum	15% Minimum	130%
	5	144	36				
	6	120	50				
	9	80	112.5				
	12	60	200				
	15	48	313				
	18	40	450				
	24	30	820				
GZR/L/LM/LB	3	176.7	17	Abt. 0.53	70% Maximum	15% Minimum	130%
	5	106	47				
	6	88.3	68				
	9	58.8	155				
	12	44.2	275				
	15	35.3	425				
	18	29.4	612				
	24	22.08	1100				
	48	11.04	4170				

ORDERING INFORMATION

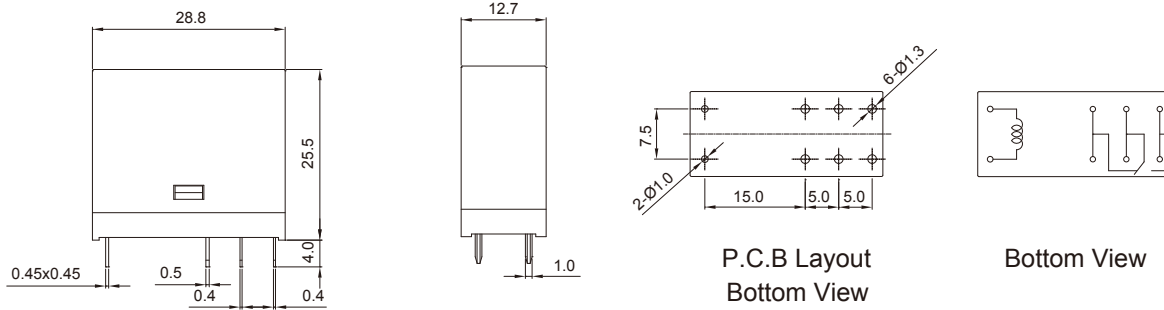
<p>GZR - S - 1 05 D M F</p>	<p>Insulation System: Nil: Standard Class F: Class F</p> <p>Contact Form: Nil: One Form C M: One Form A B: Form B</p> <p>Coil Sensitivity: D: Standard DC L: High DC</p> <p>Coil Voltage: 03: 3V, 05: 5V, 06: 6V, 09: 9V, 12: 12V, 15: 15V, 18: 18V, 24: 24V, 48: 48V</p> <p>Number of Pole: 1: One Pole</p> <p>Type of Sealing: S: RT I Dust Protected SS: RT II Flux Proofed SH: RT III Wash Tight</p> <p>Type: GZR</p>
------------------------------------	---

CLASSIFICATION

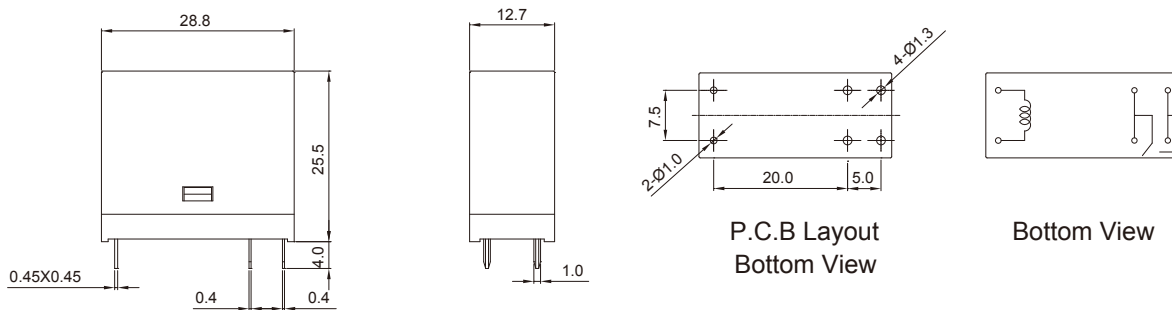
Model	GZR			
	Standard DC		High DC	
Contact Form	1A/B	1C	1A/B	1C
Dust Protected	GZR-S-1□□DM/B	GZR-S-1□□D	GZR-S-1□□LM/B	GZR-S-1□□L
Flux Proofed	GZR-SS-1□□DM/B	GZR-SS-1□□D	GZR-SS-1□□LM/B	GZR-SS-1□□L
Wash Tight	GZR-SH-1□□DM/B	GZR-SH-1□□D	GZR-SH-1□□LM/B	GZR-SH-1□□L

DIMENSION ($\leq 5\text{mm} \pm 0.2\text{mm}$, $> 5\text{mm} \pm 0.3\text{mm}$, the tolerance of PCB thru hole: $+0.1\text{mm}$)

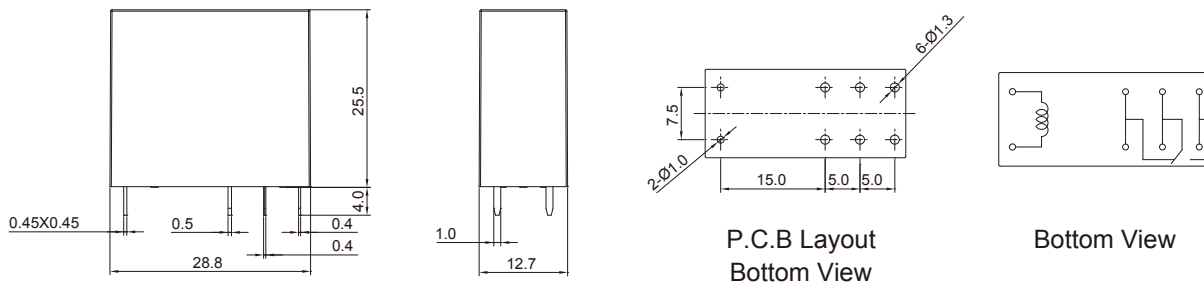
GZR-S-L/D



GZR-S-LM/DM/DB



GZR-SS/SH-L/D



GZR-SS/SH-LM/DM/DB

