

1

2

3

4

5

6

7

A

B

C

D

E

F

A

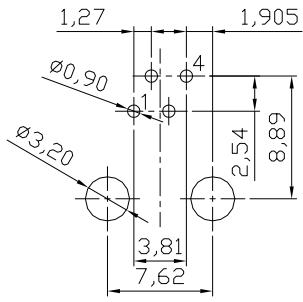
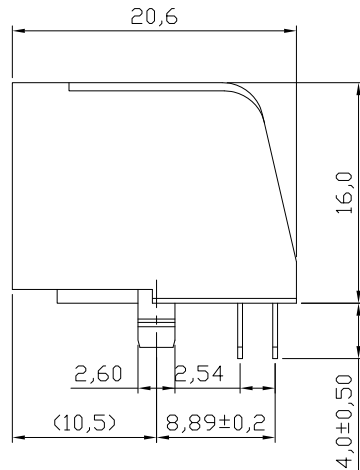
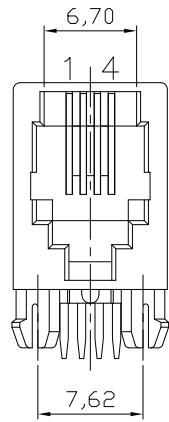
B

C

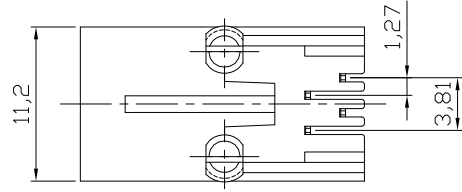
D

E

F



PC Board Layout
Component Side Shown



NOTES:

Mechanical:

- 1. Housing material : Glass Filled Polyester UL94V-0 , Color: Black
- 2. Contact material: Phosphor Bronze t=0.35mm
- 3. Contact plating: Contact area---Selective gold plating
Tails---Tin plated all over 50u" Nickel
- 4. Operating Life: 750 Cycles min.
- 5. PCB Retention Pre-solder: 1 LB min.
- 6. PCB Retention Post-solder: 10 LBS min.

Electrical:

- 1. Voltage Rating: 125VAC.
- 2. Current Rating: 1.5AMP.
- 3. Contact Resistance: 50mΩ max.
- 4. Insulation Resistance: 500MΩ min. @ 1000 VDC
- 5. Dielectric Strength: 1000 VAC RMS 60Hz, 1 min.

Environmental:

- 1. Storage: -40°C To +85°C
- 2. Operation: -40°C~+85°C
- 3. Wave Soldering Temp: 200~220°C(5~10S)

Packing: 120pcs/Tray, 2640pcs/Carton

Order code: A-2004-3-X-N

Contact plating:

- 1: selective 15u" gold
- 2: selective 30u" gold
- 3: selective 50u" gold
- 4: selective 6u" gold

RoHS compliant
Unit:mm

Scale	Free						Date	Name	Customer-No.
TOLERANCE						Drawn	27.05.2013	Amy	
X.X	±0.20					Approved	27.05.2013	Amy	
X.XX	±0.15								
X.XXX	±0.10								
DIM	TOL								
		①	Drawn		27.05.2013	Amy			
Angle	±5°	Id.	Modification		Date	Name			

Customer-No.

ASSMANN WSW-No. **A-2004-3-X-N**

Drawing-No.



ASS 5698 CO rev00

Replace SHEET

1

2

3

4

5

6

7

H

H