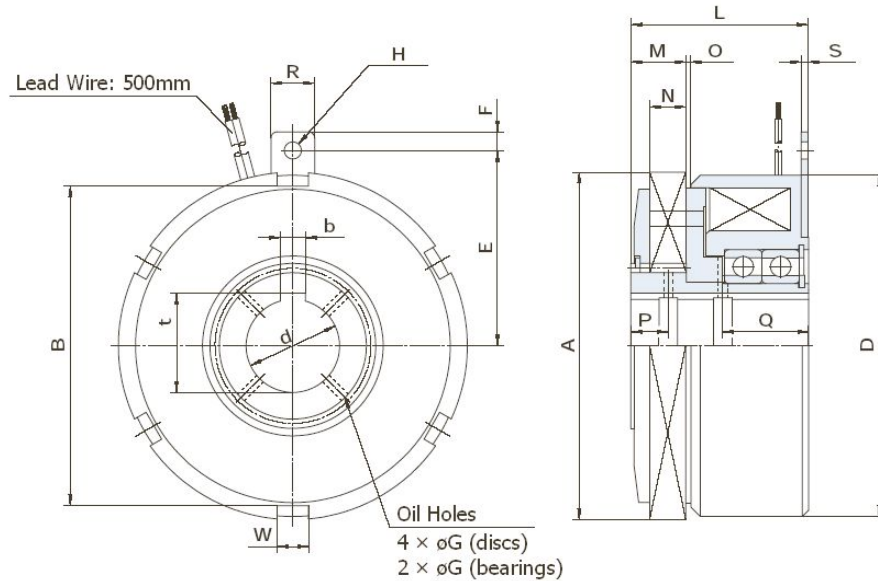


MWC

Wet-Type Multiple-Disk EM Clutch

Types: 1.2, 2.5, 5, 10, 20

[EM: Electromagnet]



[Special Order]

| MWC | | 1.2 | 2.5 | 5 | 10 | 20 |
|--|----------------|-----------|-----------|-----------|-----------|-----------|
| Dynamic Torque [ft-lbs / N-m] | | 8.9 / 12 | 18 / 25 | 37 / 50 | 74 / 100 | 148 / 200 |
| Static Torque [ft-lbs / N-m] | | 18 / 25 | 37 / 50 | 74 / 100 | 148 / 200 | 295 / 400 |
| Coil (20°C) | Voltage [DC-V] | 24 | | | | |
| | Current [A] | 0.48 | 0.71 | 0.91 | 1.5 | 1.9 |
| | Resistance [Ω] | 49.5 | 34 | 26.4 | 16 | 12.8 |
| | Wattage [W] | 12 | 17 | 22 | 36 | 45 |
| Armature Pull-In Time [ms] | | 50 | 60 | 70 | 80 | 100 |
| Torque Build-Up Time [ms] | | 120 | 150 | 170 | 180 | 200 |
| Torque Decay Time [ms] | | 40 | 50 | 60 | 70 | 100 |
| Max Allowable Speed [rpm] | | 4000 | 3600 | 3200 | 3000 | 2800 |
| Moment of Inertia (J) [kg-cm ²] | Hub | 2.8 | 5.5 | 13.3 | 32 | 57 |
| | Outer Disc | 0.5 | 1.3 | 2.8 | 8.3 | 16.3 |
| Bore [mm] | dH7 | 20 | 25 | 30 | 40 | 50 |
| Key Way [mm] | bE9 | 6 | 8 | 8 | 12 | 14 |
| | t+0.2/-0 | 21.7 | 26.7 | 32 | 42.5 | 52.5 |
| Dimensions [mm] | A | 80 | 95 | 112 | 132 | 157 |
| | B | 73 | 87.5 | 103 | 122 | 145 |
| | D | 78 | 93 | 110 | 130 | 155 |
| | E | 47 | 57 | 63 | 80 | 91 |
| | F | 6 | 6 | 6 | 8 | 8 |
| | G | 2 | 3 | 3 | 3 | 3 |
| | H | 5.5 | 5.5 | 5.5 | 6.5 | 6.5 |
| | L | 45 | 49 | 57 | 63 | 73 |
| | M | 13.5 | 14.8 | 17.7 | 22 | 24.5 |
| | N | 8.5 | 9.3 | 11.7 | 14 | 14 |
| | O | 2 | 2 | 1.5 | 2 | 2 |
| | P | 10 | 11 | 12 | 16 | 18 |
| | Q | 21.5 | 23.5 | 27.5 | 25 | 28.5 |
| | R | 12 | 14 | 14 | 16 | 16 |
| S | 2 | 2.3 | 2.3 | 3 | 3 | |
| W | 8 | 10 | 10 | 12 | 12 | |
| W (Qty) | 6 | 6 | 6 | 6 | 6 | |
| Weight [lbs / kg] | | 3.1 / 1.4 | 4.4 / 2.0 | 6.6 / 3.0 | 11 / 5 | 17 / 8 |
| Coupling | | UN1.2 | UN2.5 | UN5 | UN10 | UN20 |

[Included parts & accessories : surge protector]

[1" = 25.4mm]

Ogura Industrial
100 Randolph Rd.
Somerset, NJ 08875

www.ogura-clutch.com
info@ogura-clutch.com
(732) 271-7361