

Rev	AWO #	Description	Date	Appr
-	10326	RELEASED	6/09/10	

6

5

4

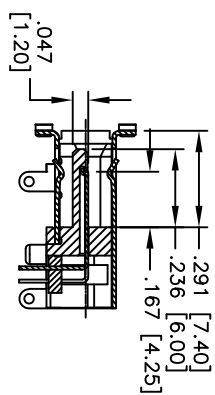
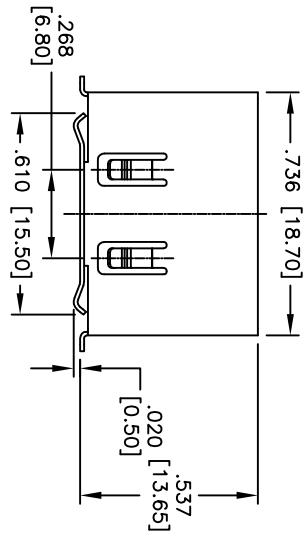
3

2

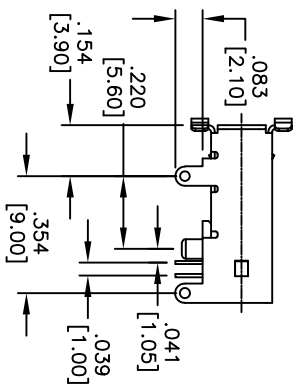
1

APPROVED: \_\_\_\_\_

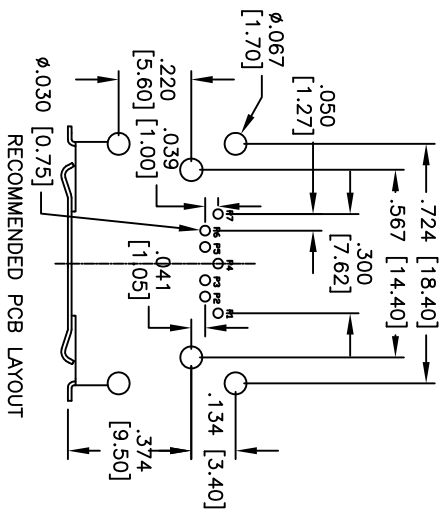
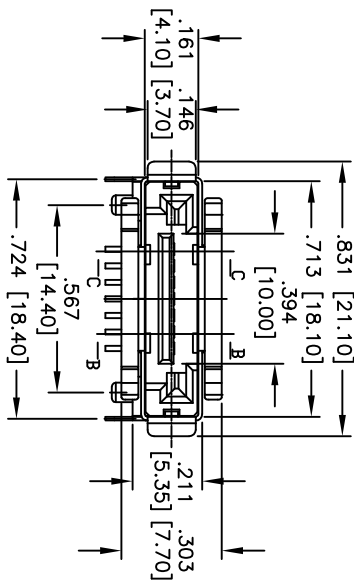
DATE: \_\_\_\_\_ TITLE: \_\_\_\_\_



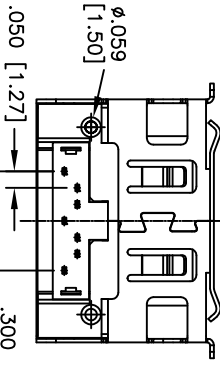
SECTION B-B



SECTION C-C



RECOMMENDED PCB LAYOUT



SECTION C-C

## SPECIFICATIONS:

Material:

Insulator: Hi-temp thermoplastic, rated UL 94V-0

Insulator color: Black

Contacts: Brass

Plating:

Gold Flash over Nickel underplate on contact area,

Tin over Copper underplate on solder tails

Electrical:

Operation Voltage: 100V AC Max.

Current rating: 1.5 Amps per contact

Contact resistance: 45 mohms max

Insulation resistance: 1000 Mohms min

Dielectric withstanding voltage: 500 VAC

Temperature Rating:

Operating temperature: -25°C to +85°C

Environmental:

Lead free, RoHS compliant

Recommended soldering temp: 260°C for 5 seconds

6

5

4

3

2

1

**ADAM TECH**

909 Rahway Avenue, Union, NJ 07083

Phone: 908-687-5000 Fax: 908-687-5710

TITLE: SATA CONNECTOR, 7PIN, MALE, R/A

DIP TYPE, METAL SHELL TYPE

SIZE: PART NO. SATA-A7-ANP-RT

REV. X

SCALE: NTS SHEET 1 OF 1

REF: 500106T

UNLESS OTHERWISE SPECIFIED  
ALL DIMENSIONS ARE INCHES [MM]

TOLERANCES: EXCEPT AS NOTED

INCHES

.X ± .10

.XX ± .020

.XXX ± .015

APPROVALS

DRAWN: DY

CHECKED

APPROVED

DATE

6/09/10

DATE

DATE