

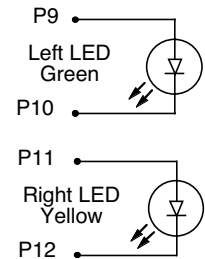
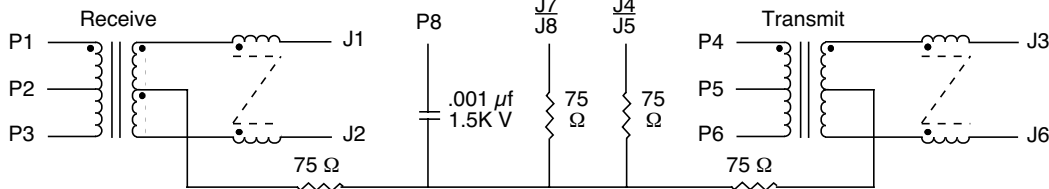
EPJ9223-4-S24

- Space Saving RJ-45 Connectors
- Includes Common Mode Choke
- UL94V-0 Rated Connector Housing
- Complete Bob Smith Termination Included
- 1500 Vrms Isolation

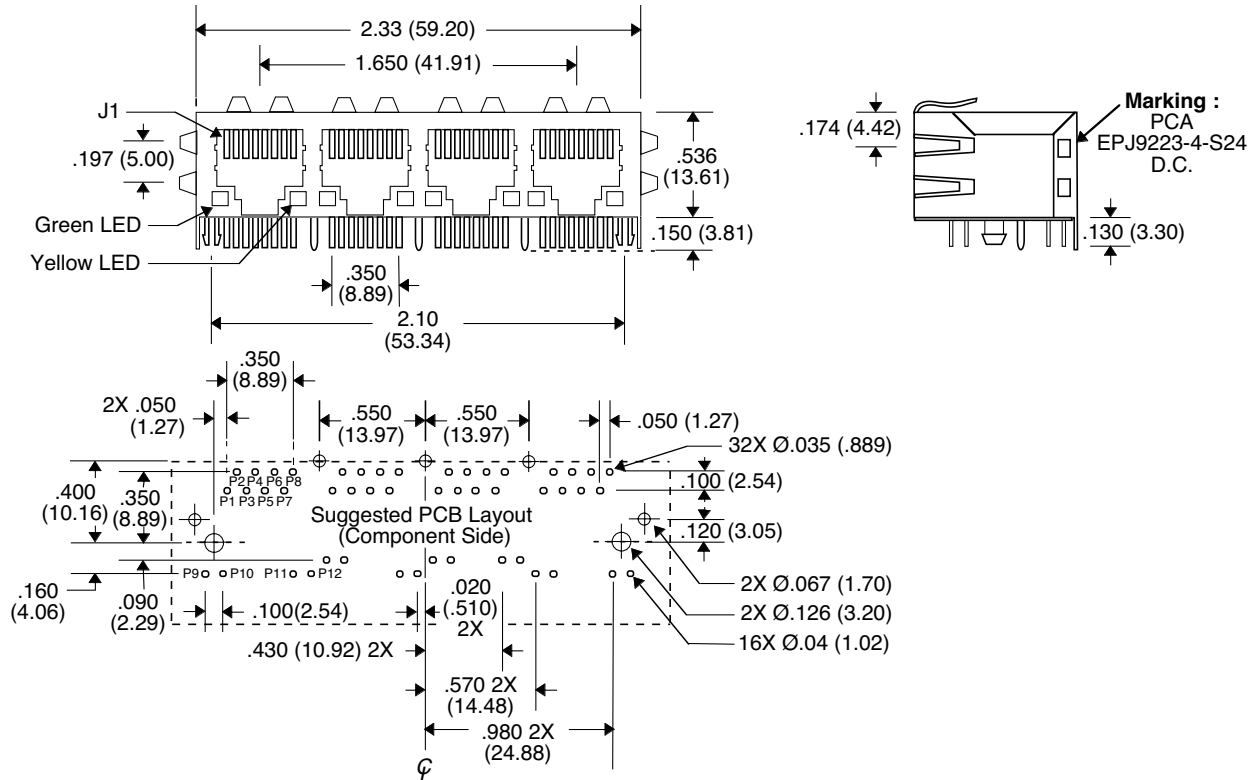
Electrical Parameters @ 25° C

Turns Ratio (± 5%)	OCL (μH Min.)	Insertion Loss (dB Max.)	Return Loss (dB Min.)				CMRR (dB Min.)			Crosstalk (dB Min.)		
			@ 30 MHz	@ 40 MHz	@ 50 MHz	60-80 MHz	@ 30 MHz	@ 60 MHz	@ 100 MHz	@ 30 MHz	@ 60 MHz	@ 100 MHz
1:1/1:1	@ 100 KHz, 0.1 V 8 mA DC Bias	1 MHz- 100 MHz	-18	-16	-14	-12	-35	-30	-25	-40	-40	-35

Schematic



Package



Unless Otherwise Specified Dimensions are in Inches /mm ± .010 /.25