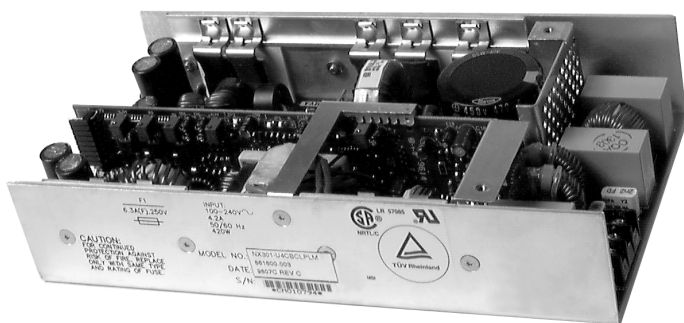


350 WATT DC/DC POWER SUPPLY

DNX350



FEATURES

- Fully Isolated Outputs
- Low Profile: 9" x 4.85" x 2.00"
- One, Two, Three and Four Output Models
- Active Current Sharing on V1
- Optional Fan Covers (Top-Mounted or End-Mounted)
- Active Inrush Current Limiting
- 36-72Vdc Input

DESCRIPTION

The DNX350 is a compact 350 watt, multiple output power supply that operates from a 36-72VDC source. All outputs are fully isolated and regulated. Active current sharing circuitry on Output #1, together with control functions and alarm options, simplifies N+1 and redundant applications. Fan and disk drive applications are handled by the peak current ratings of the auxiliary outputs.

AGENCY APPROVALS



TÜV Rheinland

See "Safety" section on page 2 for more information

Website: <http://www.cdpowerelectronics.com>

Power Electronics Division, United States
3400 E Britannia Drive, Tucson, Arizona 85706
Tel: 800.547.2537 Fax: 520.295.4197

C&D Technologies, (NCL)
Milton Keynes MK14 5BU UK
Tel: +44 (0)1908 615232 Fax: +44 (0)1908 617545

Any data, prices, descriptions or specifications presented herein are subject to revision by C&D Technologies, Inc. without notice. While such information is believed to be accurate as indicated herein, C&D Technologies, Inc. makes no warranty and hereby disclaims all warranties, express or implied, with regard to the accuracy or completeness of such information. Further, because the product(s) featured herein may be used under conditions beyond its control, C&D Technologies, Inc. hereby disclaims all warranties, either express or implied, concerning the fitness or suitability of such product(s) for any particular use or in any specific application or arising from any course of dealing or usage of trade. The user is solely responsible for determining the suitability of the product(s) featured herein for user's intended purpose and in user's specific application. C&D Technologies, Inc. does not warrant or recommend that any of its products be used in any life support or aviation or aerospace applications.

Input Specifications

Parameter	Conditions	Min	Typ	Max	Units
Operating Range	DC	36	48	72	V _{DC}
Inrush Current Limiting	36V _{DC}			25	APK
	72V _{DC}			50	APK
Efficiency	48V _{DC} at full load		70		%

Remote Sense

Remote Sense is provided on Output #1 and will compensate for 0.7V of line drop. Remote Sense leads are protected against open, short and reversal.

Remote On/Off (Optional)

The power supply is turned on with a TTL logic '1' (or open) signal and turned off by a switch closure or TTL logic '0' referenced to (-) sense terminal.

Over Voltage Protection

Output #1: 6.5V ± 0.5 V_{DC}.

The power supply will latch off until AC power is cycled.

Over Current Protection

Individual current limit on all outputs. Automatic recovery upon fault removal.

Active Inrush Current Limiting

Inrush current is independent of ambient temperature.

Transient Response

The peak output voltage excursion will not exceed 2% and will recover within 1% in 200 µsec for a 25% load step change.

Over Temperature Protection

Thermal switch turns off power supply if overheating occurs and automatically restarts.

Safety

Safety Certified to UL/CUL to 1950, File Number E131694. TUV to EN60950/IEC 950.

Cooling

The unit is designed to operate with 30 CFM of airflow.

Output Voltages and Maximum Rated Loads

MODEL NUMBER	OUTPUT #1		OUTPUT #2		OUTPUT #3		OUTPUT #4	
	V _{OUT}	I _{MAX}	V _{NOM}	I _{MAX} /I _{PK}	V _{NOM}	I _{MAX} /I _{PK}	V _{NOM}	I _{MAX} /I _{PK}
DNX350-U1A	+5V	50A						
DNX350-U3A	± 5V	50A	± 12V	10A/12A	± 12V	8A/10A	-	-
DNX350-U3B	± 5V	50A	± 15V	10A/12A	± 15V	8A/10A	-	-
DNX350-U4C	± 5V	50A	± 12V	10A/12A	± 12V	8A/10A	± 5V	3.0A
DNX350-U4D	± 5V	50A	± 12V	10A/12A	± 12V	8A/10A	± 24V	1.5A
DNX350-U4E	± 5V	50A	± 12V	10A/12A	± 12V	8A/10A	± 12V	3.0A
DNX350-U4F	± 5V	50A	± 15V	10A/12A	± 15V	8A/10A	± 5V	3.0A
DNX350-U4G	± 5V	50A	± 15V	10A/12A	± 15V	8A/10A	± 24V	1.5A
DNX350-U4H	± 5V	50A	± 15V	10A/12A	± 15V	8A/10A	± 12V	3.0A
DNX350-U4I	± 5V	50A	± 15V	10A/12A	± 15V	8A/10A	± 12V	3.0A

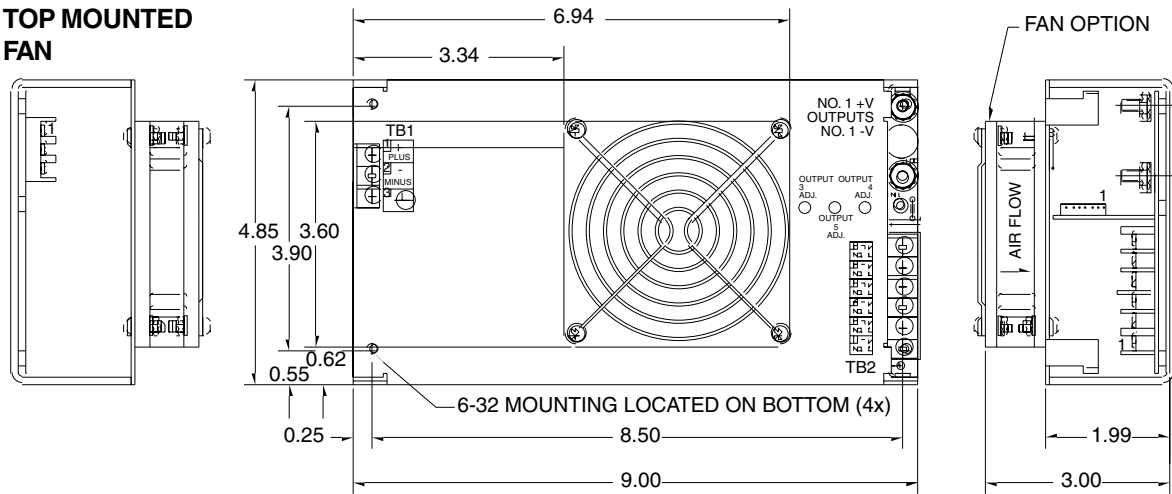
Output Specifications

Parameter	Limits
Regulation	
Line	± 0.03%
Load	±0.25%
Cross	±0.05%
Minimum Load	
Output #1	3.0A
Auxiliary Outputs	0.1A

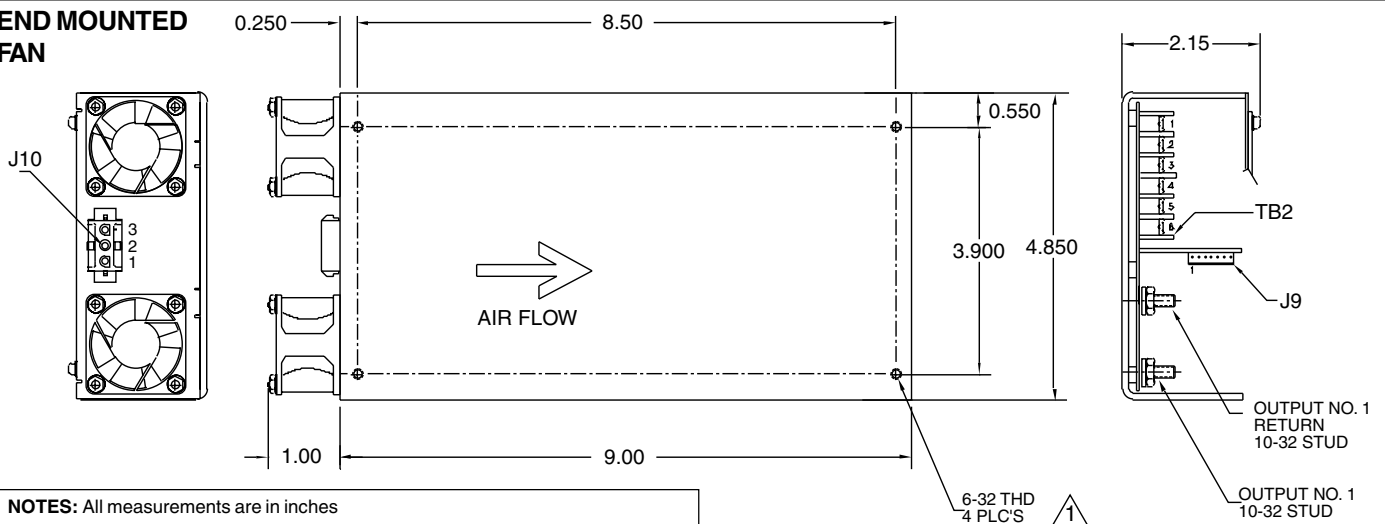
Parameter	Conditions	Min	Typ	Max	Units
Voltage Adjustment Range	Nominal line on all outputs		±5		%
PARD	Peak-to-peak 20 MHz bandwidth			1	% P-P
Temperature					
Operating		0		50	°C
Storage		-20		+70	°C
Temperature Coefficient (Tc)	After half hour warm-up		± 0.02		%/°C

Mechanical

TOP MOUNTED FAN



END MOUNTED FAN



NOTES: All measurements are in inches
COOLING: The DNX350 is designed to operate with 30 CM airflow.
SHOCK AND VIBRATION: The DNX350 meets the requirements of MIL STD-810D.
WEIGHT: Approximately 3 lbs.

Terminal Block 1		Terminal Block 2	
POS	FUNCTION	POS	FUNCTION
1	DC +	1	-V2
2	DC -	2	+V2
3	Ground	3	-V3
		4	+V3
		5	-V4
		6	+V4

J9 Connector Molex No. 22-28-1090	
PIN	FUNCTION
1	+ Sense
2	- Sense
3	N/C
4	N/C
5	Start Up Sync.
6	N/C
7	Remote Inhibit
8	Current Share
9	Control Signal Rtn

J10 Connector* AMP 1-480701-1	
POS	FUNCTION
1	DC+
2	DC-
3	GROUND

*Used with end-mounted fan cover, option "V"